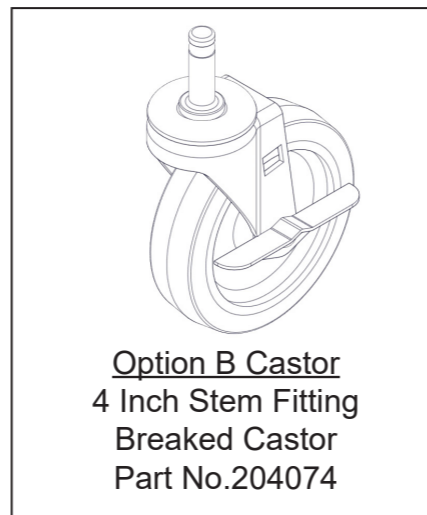
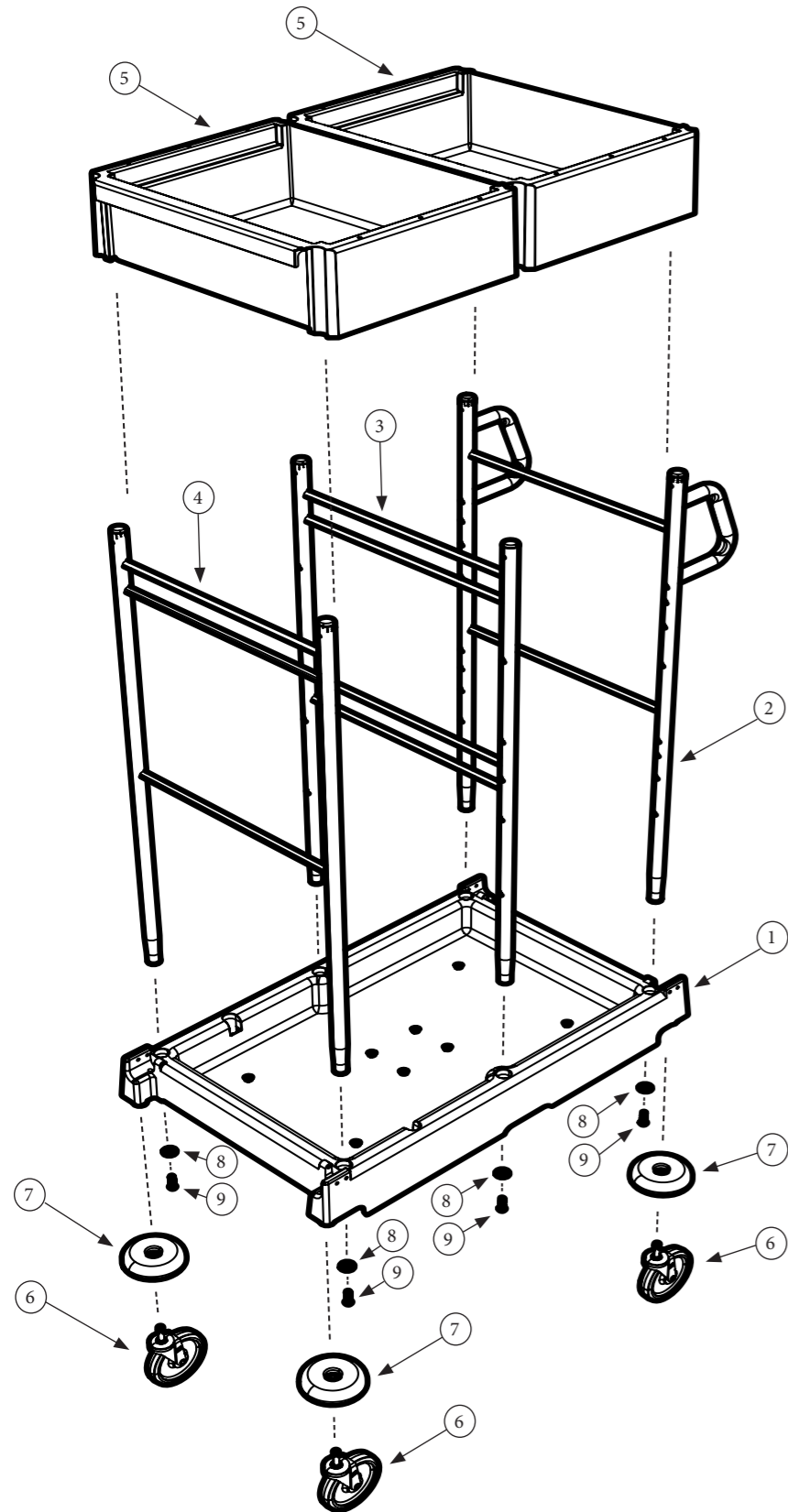


# Exploded Spare PM-13

# Numatic



| Number | Description  | Part Number | Quantity |
|--------|--|-------------|----------|
| 1      | Large black reflo trolley base                             | 910010      | 1        |
| 2      | Upright frame weld assembly stainless (rear)               | 911872      | 1        |
| 3      | Upright frame weld assembly stainless (central)            | 908633      | 1        |
| 4      | Upright frame weld assembly stainless (central)            | 908641      | 1        |
| 5      | Clip on black reflo plain tray moulding                    | 910012      | 2        |
| 6      | <b>Option A Castor</b> - 4 Inch stem fitting castor        | 911354      | 4        |
|        | <b>Option B Castor</b> - 4 Inch stem fitting braked castor | 204074      | 4        |
|        | <b>Option C Castor</b> - 200mm All terrain wheel           | 901813      | 4        |
| 7      | Buffer moulding  | 227479      | 4        |
| 8      | M8 Form C washer - stainless steel                         | 291068      | 6        |
| 9      | M8 x 25mm Long Socket bolt - stainless steel               | 291067      | 6        |



# Numatic

Numatic International Limited,  
Chard, Somerset, TA20 2GB  
Telephone: 01460 68600  
Fax: 01460 68458

**UNITED KINGDOM:** www.numatic.com  
**NETHERLANDS:** www.numatic.nl  
**PORTUGAL:** www.numatic.pt

**GERMANY:** www.numatic.de  
**SWITZERLAND:** www.numatic.ch  
**SPAIN:** www.numatic.es

**FRANCE:** www.numatic.fr  
**SOUTH AFRICA:** www.numatic.co.za

Numatic.com

Specification subject to change without prior notice  
www.numatic.com © Numatic International Limited

EXP-002009 02/23 (A01)