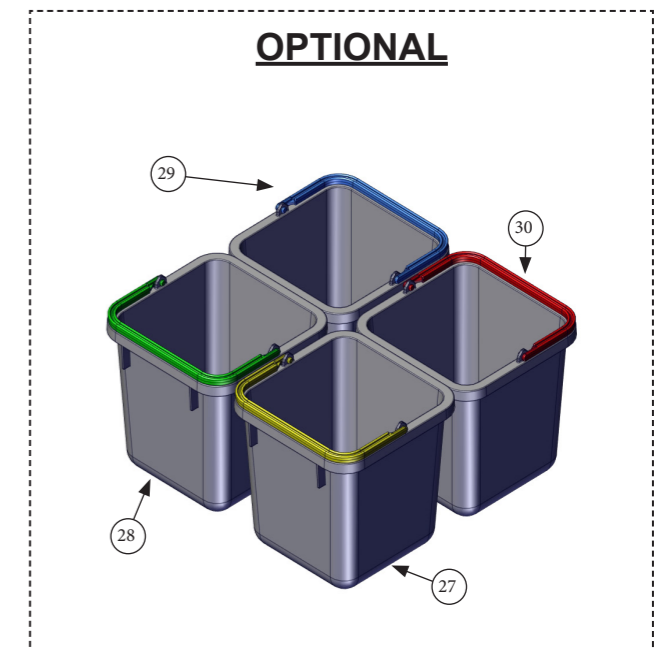
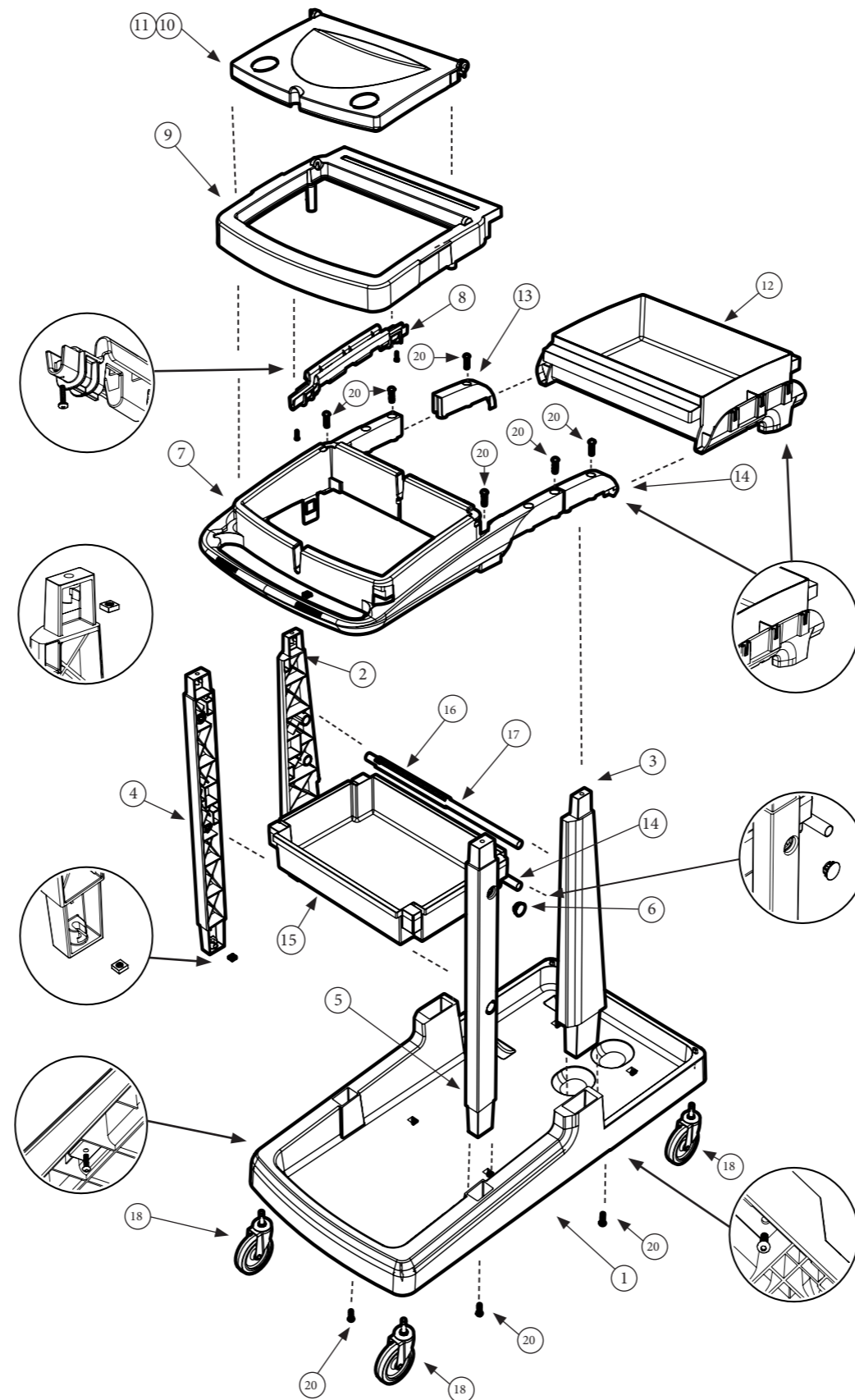
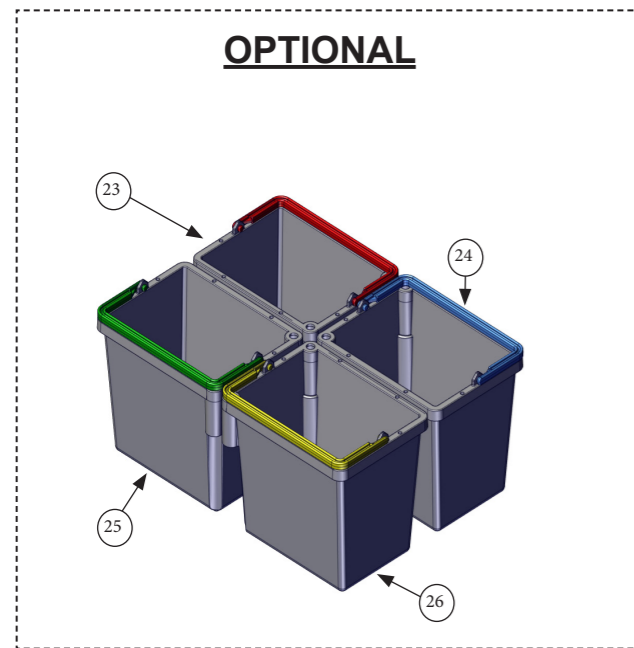


Exploded Spare Ecomatic EM-3

Numatic



Numatic

Numatic International Limited,
Chard, Somerset, TA20 2GB
Telephone: 01460 68600
Fax: 01460 68458

UNITED KINGDOM: www.numatic.com
NETHERLANDS: www.numatic.nl
PORTUGAL: www.numatic.pt

GERMANY: www.numatic.de
SWITZERLAND: www.numatic.ch
SPAIN: www.numatic.es

FRANCE: www.numatic.fr
SOUTH AFRICA: www.numatic.co.za

 www.numatic.com

Specification subject to change without prior notice
www.numatic.com © Numatic International Limited

Exploded Spare Ecomatic EM-3

Numatic

Item Number	Item Description	Part Number	Quantity
1	Ecomatic black reflo base printed numatic reflo - long	909997	1
2	Front left hand black reflo upright assembly with nut & bolt fitted	909374	1
3	Front right hand black reflo upright assembly with nut & bolt fitted	909373	1
4	Rear left hand black reflo upright assembly with nut & bolt fitted	909363	1
5	Rear right hand black reflo upright assembly with nut & bolt fitted	909375	1
6	Door hole plug graphite	902984	4
7	Ecomatic bag frame black reflo	909358	1
8	Optional - Bag Splitter Kit	910840	1
9	Bag securing frame black reflo	909187	1
10	Lid grey	912506	1
11	Colour code disc dark grey	223124	1
12	Top tray black reflo with nuts & bolts fitted	909357	1
13	Black reflo left hand cover	910729	1
14	Black reflo right hand cover	910732	1
15	Ecomatic tray black reflo	909359	1
16	Press support tube painted silver	909361	2
17	Tube profile	910762	1
18	4 x 4 Inch castor	908204	1
19	Optional - Ecomatic buffer set (x4)	910757	1
20	M8 x 25mm LG.Socket bolt Z/PL	219555	-
21	Nut M8 Plain Z/PL	219079	-
22	Optional - 120-Litre grey waste bags (roll of 10 - 700mm x 1100mm)	908229	0.1

Item Number	Item Description	Part Number	Quantity
23	Optional - 5L Swing bucket kit - grey, red handle	906277	-
24	Optional - 5L Swing bucket kit - grey, blue handle	906278	-
25	Optional - 5L Swing bucket kit - grey, green handle	906279	-
26	Optional - 5L Swing bucket kit - grey, yellow handle	906280	-
27	Optional - 10L Grey buckey with yellow handle	905240	-
28	Optional - 10L Grey buckey with green handle	905239	-
29	Optional - 10L Grey buckey with blue handle	905238	-
30	Optional - 10L Grey buckey with red handle	905237	-

Numatic

Numatic International Limited,
Chard, Somerset, TA20 2GB
Telephone: 01460 68600
Fax: 01460 68458

UNITED KINGDOM: www.numatic.com
NETHERLANDS: www.numatic.nl
PORTUGAL: www.numatic.pt

GERMANY: www.numatic.de
SWITZERLAND: www.numatic.ch
SPAIN: www.numatic.es

FRANCE: www.numatic.fr
SOUTH AFRICA: www.numatic.co.za

 [Numatic.com](http://www.numatic.com)

Specification subject to change without prior notice
www.numatic.com © Numatic International Limited

EXP-002004 02/23 (A03)