

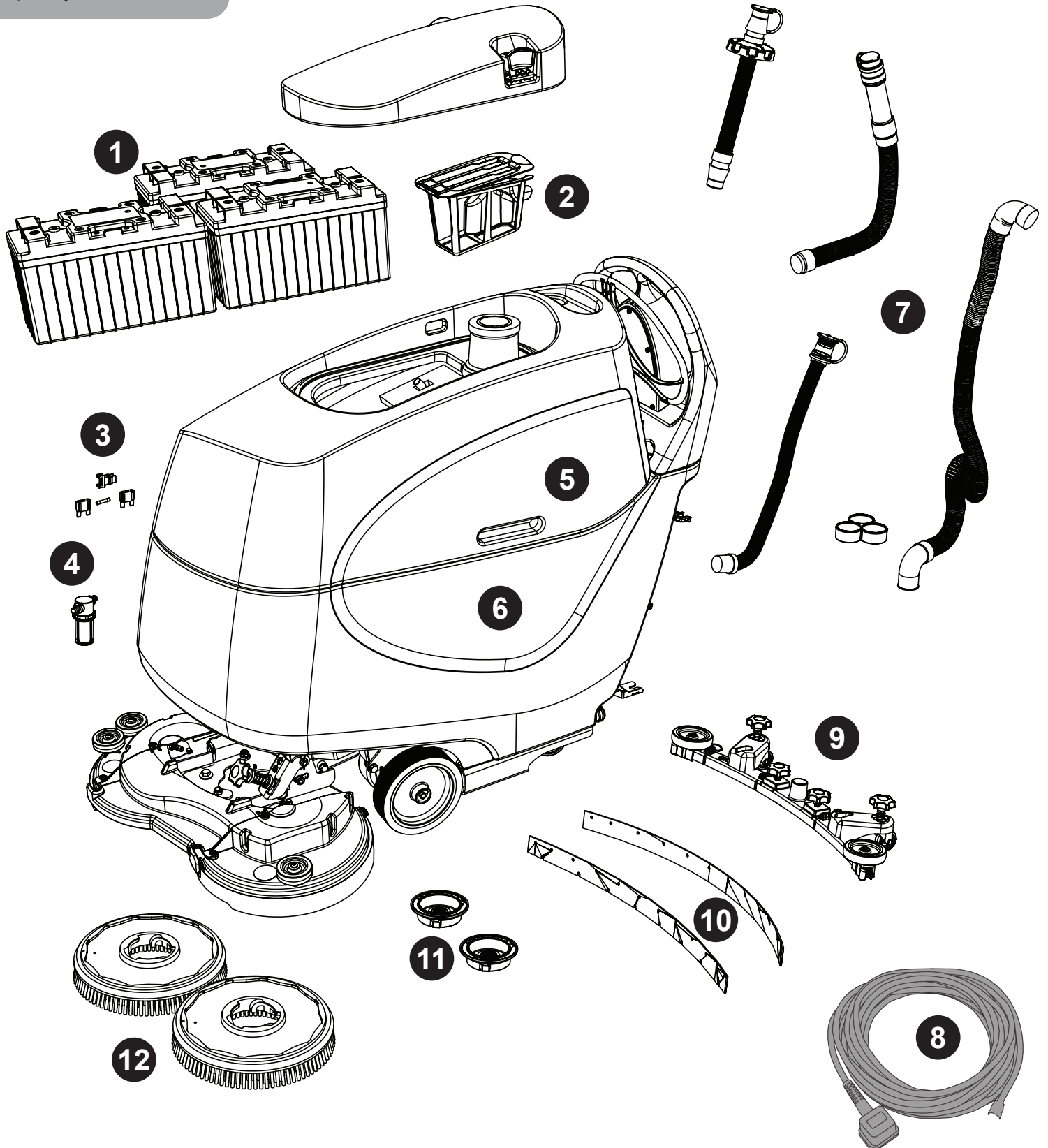
# TBL8572 (100ah/150ah) / Telematics Exploded Spares

Walk-behind Battery Scrubber Dryer



Brush Speed **100** rpm

Tank Capacity **85L**



	Description	Part Number
1	NX1K LFP BATTERY TYPE (LI-ION) (100AH X 2) (150AH X 3)	911948
2	FILTER BASKET WITH LID	903283
3	20 AMP MAXI FUSE (YELLOW)	221091
	30 AMP MAXI FUSE (GREEN)	230104
	FUSE 2.5A (6.3x32)	903066
	MAXI FUSE PULLER	230112
4	EXTENDED STRAINER	208888
5	TGB8572 TOP TANK ASSEMBLY	915416
6	TBL8572/100 BOTTOM TANK ASSEMBLY (100AH)	916207
	TBL8572/150 BOTTOM TANK ASSEMBLY (150AH)	914694
7	DUMP HOSE ASSEMBLY WITH RED HOSE CAP	903977
	32MM I/D X 410MM STRETCH HOSE (3:1) C/W CUFF & CAP	921768
	42MM X 300MM STRETCH HOSE (3:1) C/W SQUEEZE CUFF & CAP	921765
	FILLER CAP C/W HOLE	237174
	39MM I/D (43MM O/D) X 900MM STRETCH HOSE (3:1) C/W ELBOW CUFF	921777
	HOSE GUIDE	237718
8	UK TYPE CHARGING LEAD	220386
	AUSTRALIAN CHARGER LEAD	220438
	YELLOW CABLE EURO TYPE CHARGING LEAD	221079
	CHARGING LEAD ASSY + SWISS PLUG	220392
9	750 TWINTEC ALUMINIUM FLOOR TOOL (,RED TRIM, SERILOR BLADES)	904699
10	750 SERILOR BLADES	900519
11	MODIFIED CHUCK (CRO)	230285
12	370MM TEN-TEC BRUSH - CODE RED	918293

Disclaimer: Many factors beyond Numatic International Ltd control plus end user knowledge and control can affect the use and performance of a Numatic International Ltd product in a particular application.

The user is solely responsible for evaluating Numatic International Ltd products and evaluating if said product is suitable for a particular purpose and user's method of application.

**TBL8572 SPARE PARTS**

918293	370MM TEN-TEC BRUSH - CODE RED	903994	370MM NYLOSCRUB SHAMPOO BRUSH (SINGLE)
900524	360MM NULOC2 DRIVE BOARD	609100	EMPTYING HOSE EXTENSION KIT
904699	ALUMINIUM FLOOR TOOL 750MM C/W ADJUSTABLE WHEELS AND POLYURETHANE BLADES	607250	WANDER FLOOR KIT (32MM)
900519	REPLACEMENT GREEN POLYURETHANE BLADE SET, 944MM FOR 750 FLOOR TOOL	606193	WANDER FLOOR KIT (38MM)

SEE OPERATOR MANUAL FOR MORE SPARE PARTS OR CONTACT NUMATIC SALES / SERVICE DEPARTMENT



**Numatic International Limited (Head Office)**  
 Chard, Somerset TA20 2GB, UNITED KINGDOM  
 Tel: 01460 68600 numatic.com

**Numatic International GmbH**  
 Fränkische Straße 15-19, 30455 Hannover,  
 DEUTSCHLAND Tel: +49 (0) 511 984 2160 numatic.de

**Numatic International Denmark**  
 Fränkische Straße 15-19, 30455 Hannover, DEUTSCHLAND  
 Tel: +45 (0) 316 40808 numatic-online.dk

**Numatic International S.A.S**  
 13/17 rue du Valengelier, EAE la Tuilerie, 77500 Chelles, FRANCE  
 Tel: +33 (0) 164 726 161 numatic.fr

**Numatic International BV**  
 Vennootsweg 15, 2404 CG, Alphen aan den Rijn, NEDERLAND  
 Tel: +31 (0) 172 467 999 numatic.nl

**Numatic International Schweiz AG.**  
 Sihlbruggstrasse 3A, 6340 Baar, SCHWEIZ  
 Tel: +41 (0) 41 768 0760 numatic.ch

**Numatic International (PTY) Ltd.**  
 Cnr. 16th & Pharmaceutical Road, Randjes Park,  
 Midrand 1685, SOUTH AFRICA  
 Tel: +27 (0) 861 686 284 numatic.co.za

**Numatic International ULDA**  
 Rua Francisco da Silva Duarte, nº79,  
 4475-269 Santa Maria de Avioso, Castêlo da Maia, PORTUGAL  
 Tel: +351 220 047 700 numatic.pt

**Numatic International Spain, S.L.U.**  
 Av. Baix Llobregat, 5-7, Oficina bajos 1 (Parc Negocis Mas Blau II)  
 08820 El Prat de Llobregat (Barcelona), SPAIN  
 Tel: +34 93 647 22 22 numatic.es

**Numatic International Italy S.R.L**  
 Via Luigi Galvani, 2, Z.I. Talponedo, 33080 Porcia (PN), ITALY  
 Tel: +39 (0) 434 046 211 numatic.it

**Edco, Edgar Edmondson Pty Ltd**  
 Head Office: PO Box 198, Marrickville, NSW 1475, AUSTRALIA  
 Delivery & Shipping Address  
 18 Garden St, Marrickville, NSW 2204, AUSTRALIA  
 Office Number: +61 (0)2 9557 4411, Fax Number: +61 (0)2 9519 9223,  
 Email: orders@edmondson.net.au ABN: 27 000 450 144

**Proquip NZ Ltd**  
 7a Peterkin Street, Taita, Lower Hutt, 5019  
 Tel: +64 4 566 7847, Fax: +64 4 576 0430  
 Web: www.proquipnz.co.nz

