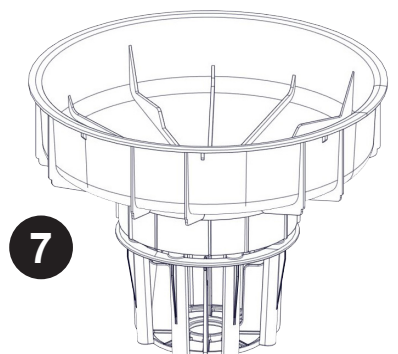
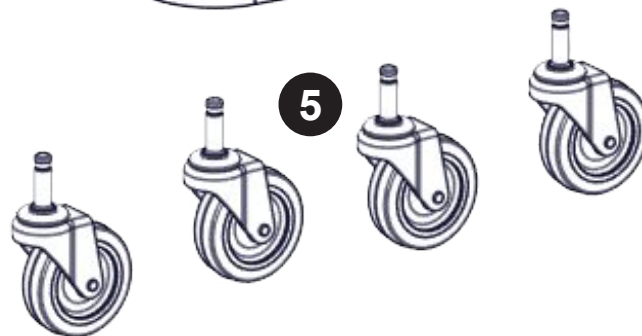
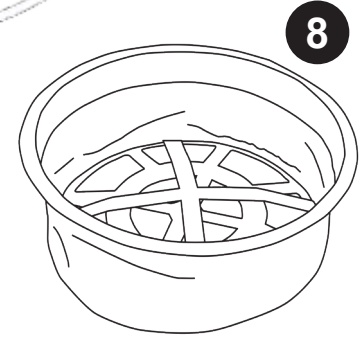
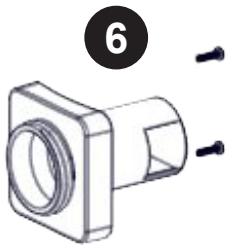
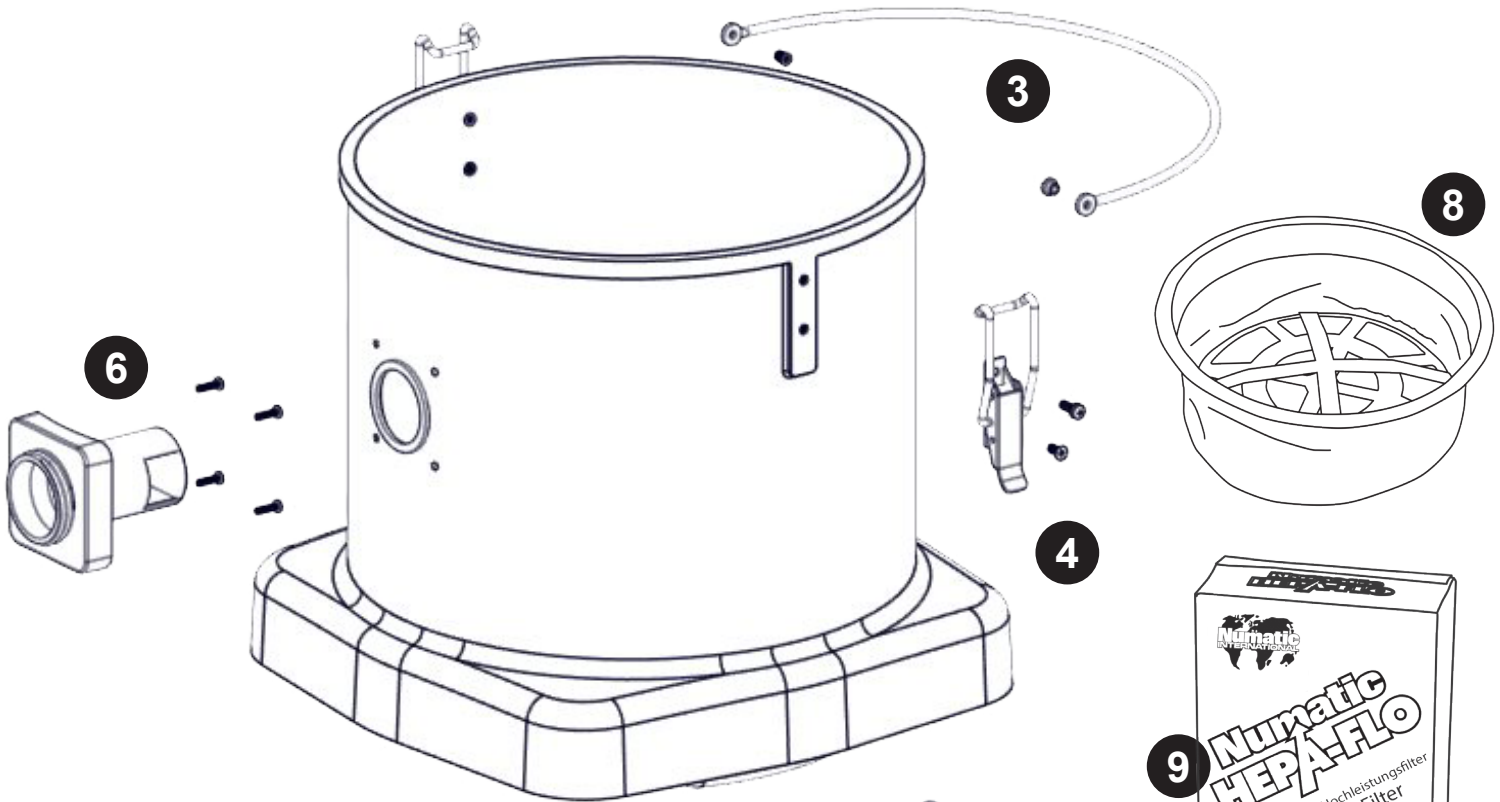
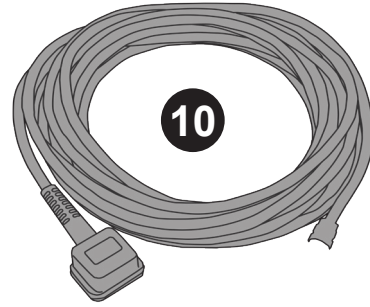
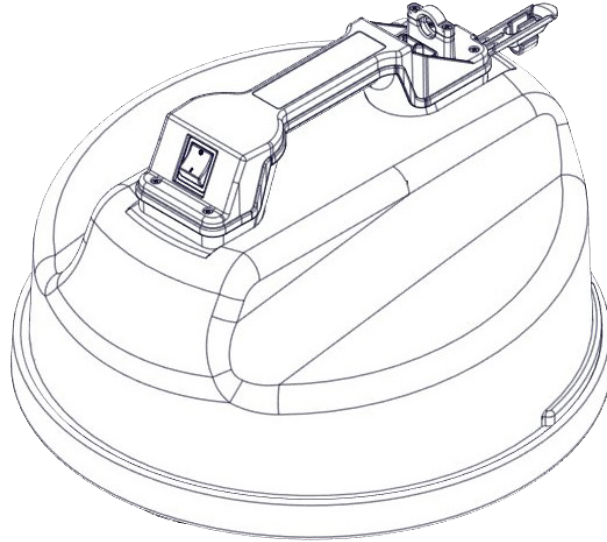
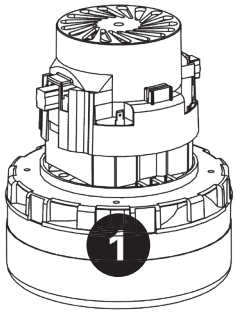


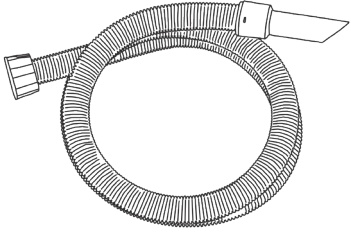
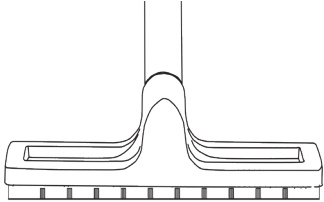
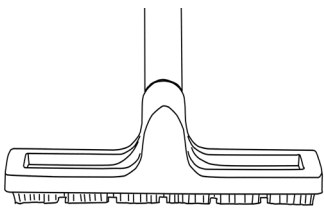
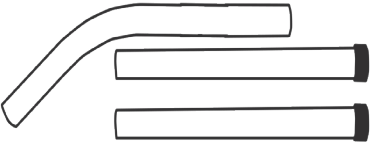
# WV570 WVD570 Exploded Spares

Wet or Dry Vacuums



<b>Num</b>	<b>Description</b>	<b>Num</b>
1	230V 2 STAGE D.I BYPASS ACUSTEK MOTOR (BL21104)	<b>205411</b>
	120V 2 STAGE D.I BYPASS ACUSTEK MOTOR (BL21101)	<b>205409</b>
2	WV/WIV570 BLUE DRUM ASSEMBLY	<b>500083</b>
3	BUCKET HANDLE CRANKED PNT BLACK	<b>418512</b>
	SPACER BUCKET HANDLE WV575/750	<b>208025</b>
4	BLACK TOGGLE FASTENER 30-1665 MSBL	<b>206135</b>
	M5.16MM LG.POZI-PAN.SCREW.Z/PL.SEM	<b>219045</b>
	M5.12MM LG.POZI-PAN.SCREW.Z/PL.C/SUNK	<b>219330</b>
5	3 INCH STEM FITTING CASTOR	<b>204060</b>
6	WET/DRY HOSE CONNECTION FLANGE	<b>206117</b>
	HOSE FLANGE GASKET	<b>202027</b>
	NO8.5/8 INCH LG.POZI-PAN.SCREW.STAINLESS STEEL.PLASTITE	<b>219370</b>
7	WV575/2000 FLOAT ASSEMBLY	<b>502034</b>
8	14 INCH WHITE FILTER ASSEMBLY	<b>604116</b>
9	BOX OF 10 NVM-3BH HEPAFLO BAGS	<b>604017</b>
10	MAINS CABLE.YELLOW.10000.1m 5.2.UK PLUG.10A SOCKET PLUG	<b>911816</b>
	MAINS CABLE.YELLOW.10000.1m5.2.15 AMP SOUTH AFRICAN PLUG.16A SOCKET PLUG	<b>911753</b>
	10.0MT X 1MM X 2 CORE YELLOW CABLE (SOCKET + PLUG) EURO	<b>236123</b>
	10 METRE X 1.5MM X 2 CORE YELLOW CABLE WITH 16AMP INDUSTRIAL PLUG	<b>911551</b>
	MAINS CABLE.YELLOW.10000.2m5.2.INDUSTRIAL 32A PLUG.STRIPPED	<b>911743</b>
	10.0MT X 1MM X 2 CORE CABLE (SOCKET + PLUG) SWISS	<b>236017</b>

## 607241 (Kit BS8)

Image Reference	Item Description	Part Number	Item Quantity
	2.4M NUFLEX THREADED HOSE NVB-2B	602102	1
	400MM PROFLO WET PICK UP FLOOR TOOL. PFW-400 (38MM)	602380	1
	400MM PROFLO DRY PICK UP FLOOR TOOL. PFB-400 (38MM)	602381	1
	38MM Stainless Tube Set	602917	1

Numatic International Limited. Chard, Somerset TA20 2GB  
ENGLAND Tel: 01460 68600 [www.numatic.co.uk](http://www.numatic.co.uk)

Numatic International GmbH. Fränkische Straße 15–19. D-30455 Hannover,  
DEUTSCHLAND Tel: 05 11 98 42 16 0 [www.numatic.de](http://www.numatic.de)

Numatic International SAS. 13 / 17 rue du Valengelier. EAE La Tuilerie – 77500  
CHELLES, FRANCE Tel: 01 64 72 61 61 [www.numatic.fr](http://www.numatic.fr)

Numatic International BV. Vennootsweg 15, 2404 CG, Alphen aan den Rijn,  
NEDERLAND Tel: 0172 467 999 [www.numatic.nl](http://www.numatic.nl)

Numatic International (Pty.) Ltd. 16th & Pharmaceutical Roads, Midrand, Gauteng,  
SOUTH AFRICA 1685 Tel: 0861 686 284 [www.numatic.co.za](http://www.numatic.co.za)

Numatic International Schweiz AG. Sihlbruggstrasse 3A, 6340 Baar.  
SCHWEIZ Tel: 0041 (0) 41 76 80 76 - 0 [www.numatic.ch](http://www.numatic.ch)

Numatic International ULDA. Rua da Boa Viagem, 177. 4470.210 Maia.  
PORTUGAL Tel: +351 220 047 700 [www.numatic.pt](http://www.numatic.pt)

Numatic International SLU. C/ La Forja, 41, 08840 Viladecans. (Barcelona),  
SPAIN Tel: +34 93 647 22 22 [www.numatic.es](http://www.numatic.es)

Numatic International DENMARK. Fränkische Straße 15–19. D-30455 Hannover,  
DEUTSCHLAND Tel: 05 11 98 42 16 0 [www.numatic-online.dk](http://www.numatic-online.dk)