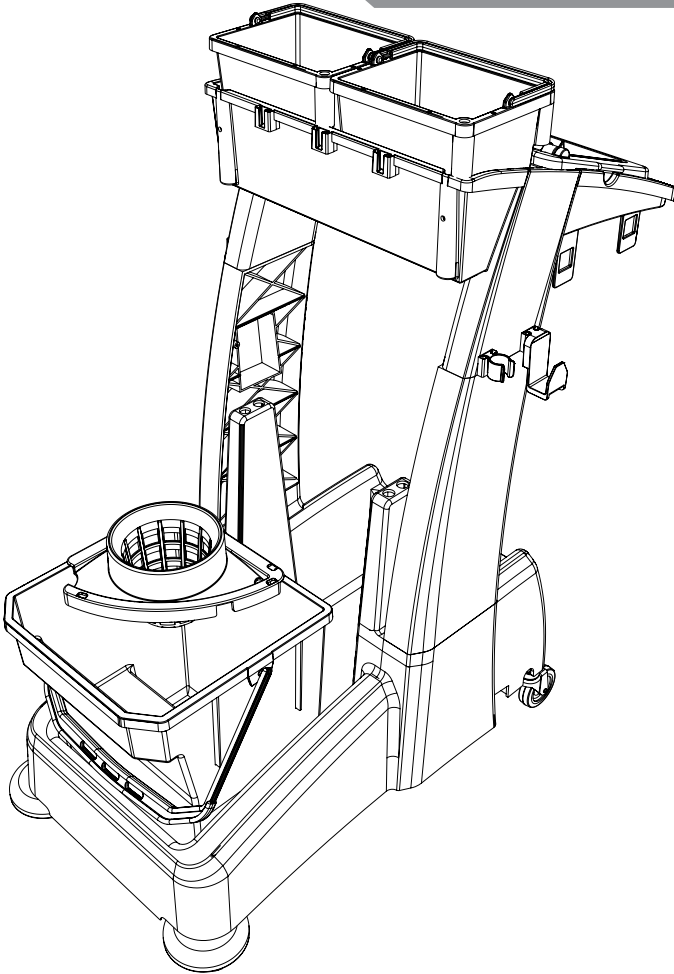


MM-2

Numatic

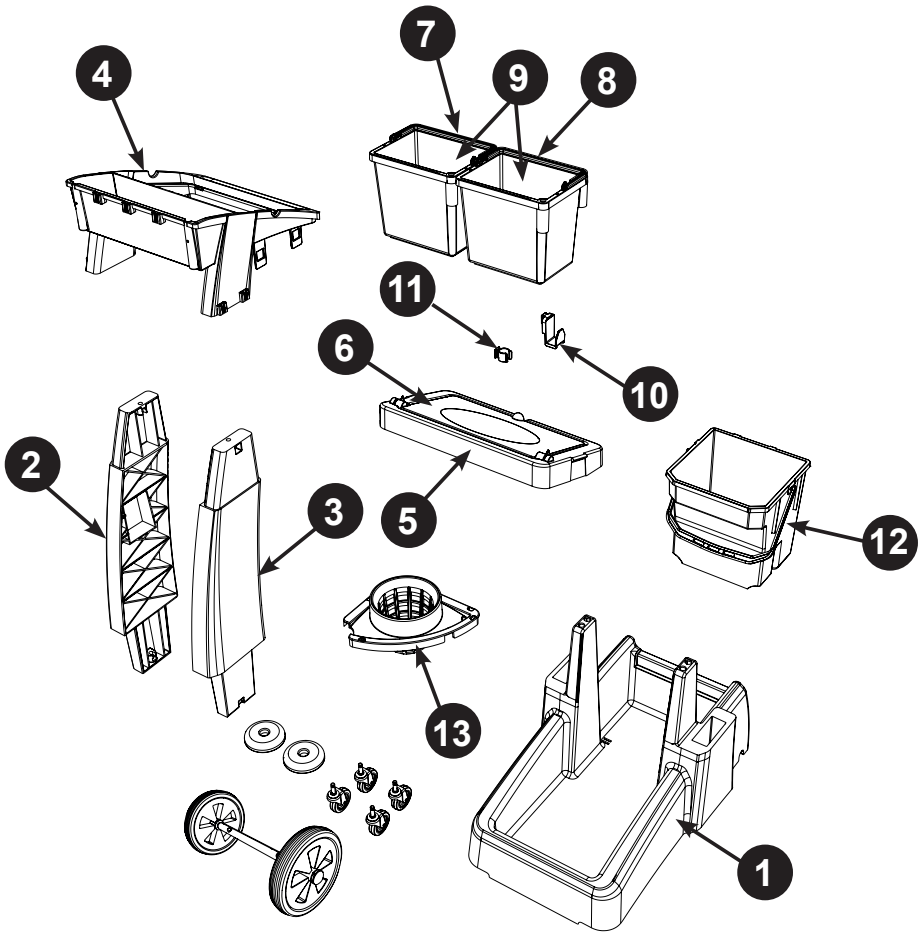
numatic.com



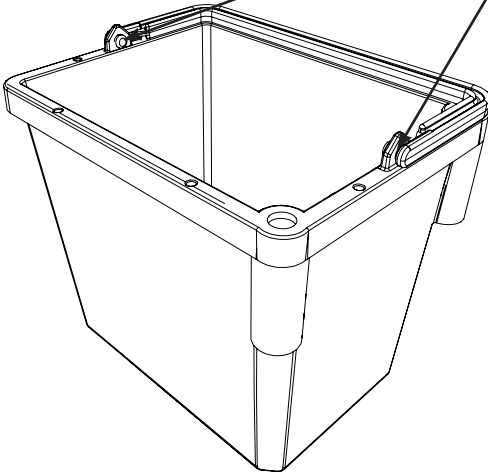
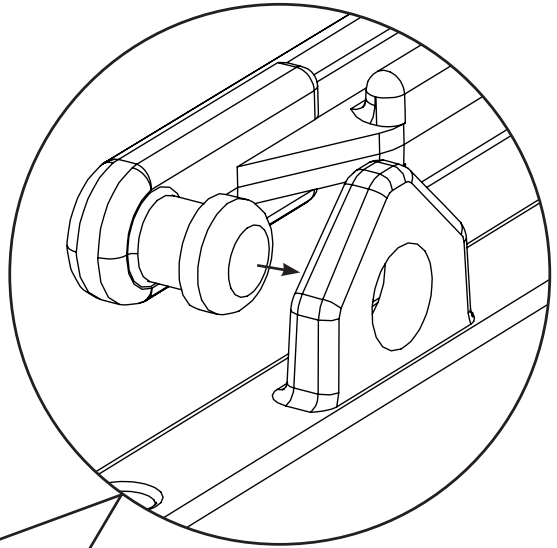
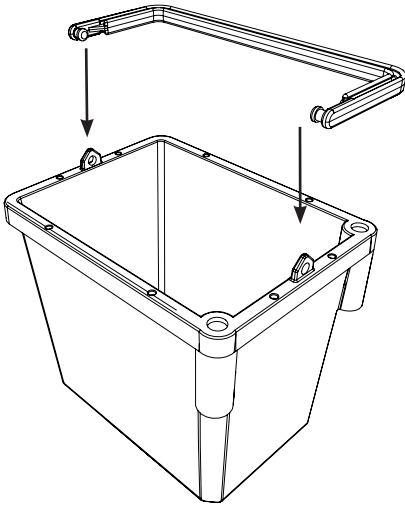
Original Instructions

0.15 HR

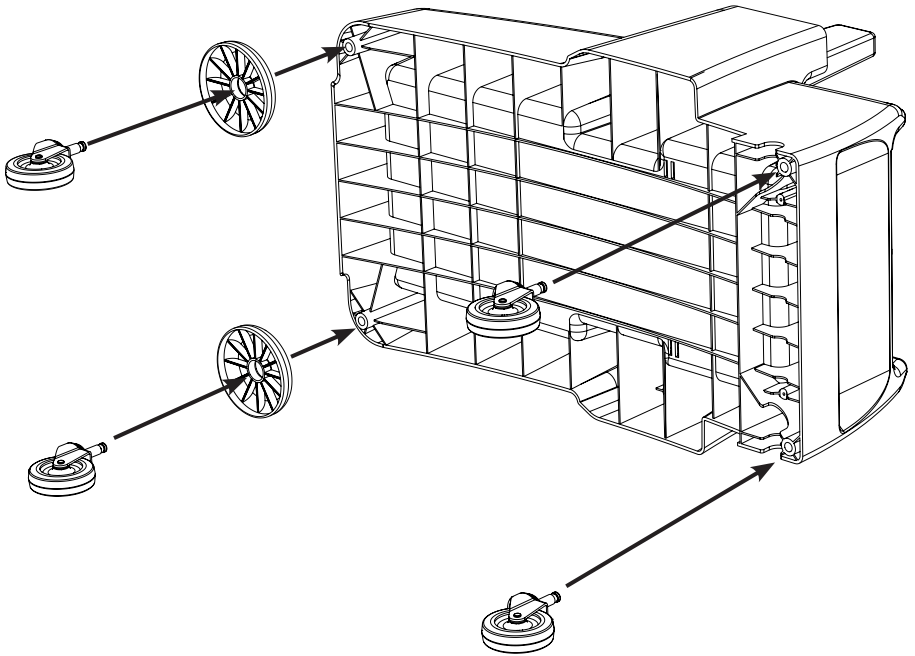
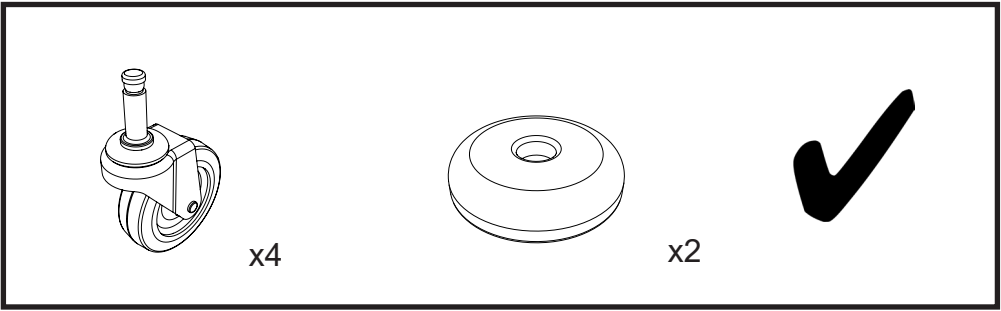
This icon block indicates the required tools and time for the assembly step. It includes a screwdriver, a curved metal tool, a clock face, and a silhouette of a person.



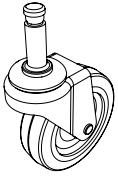
| Item | Description | Quantity |
|-----------------|----------------------------------|----------|
| 1 | Reflo Base | 1 |
| 2 | Left Hand Upright | 1 |
| 3 | Right Hand Upright | 1 |
| 4 | Handle Frame | 1 |
| 5 | Bag Securing | 1 |
| 6 | Lid | 1 |
| 7 | Red Handle | 1 |
| 8 | Blue Handle | 1 |
| 9 | 5 Litre Bucket | 2 |
| 10 | Versaclean Hook T Slot | 1 |
| 11 | 22mm Mid Mop Clamp | 1 |
| 12 | 28 Litre Bucket- Blue Handle | 1 |
| 13 | Twistmop Wringer | 1 |
| 14 | 70-Litre Waste Bags (Roll of 10) | 0.1 |
| Optional Extra: | Axel and Wheel Assembly | 1 |



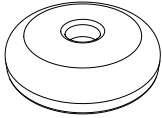
x2



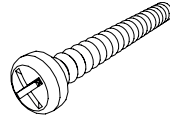
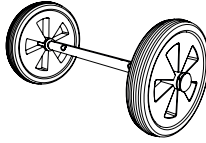
No6 X 1 3/8 Inch Long
Pozi Pan Screw



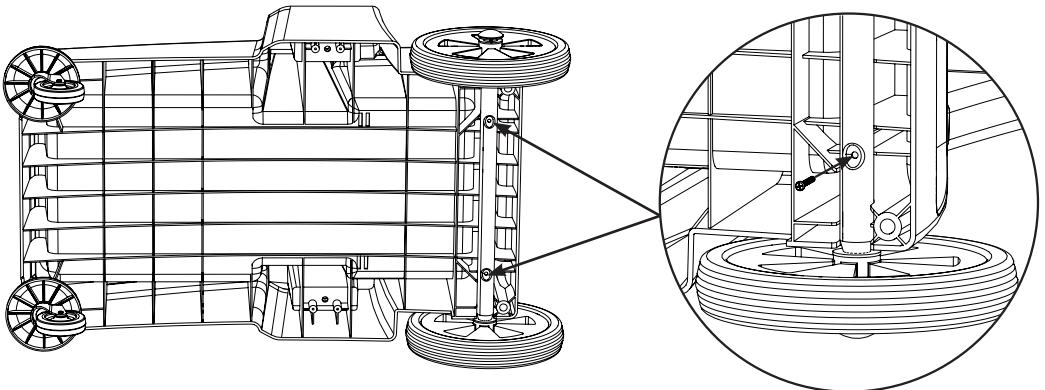
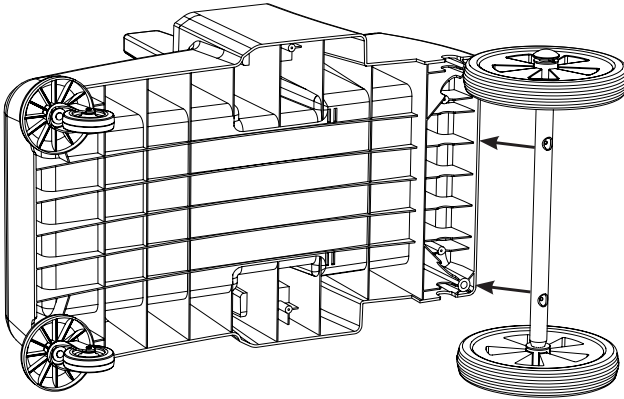
x2

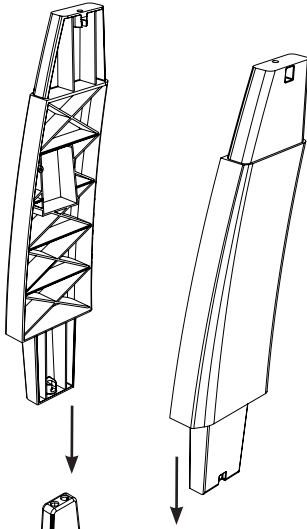


x2

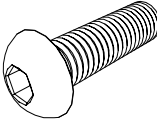


x2

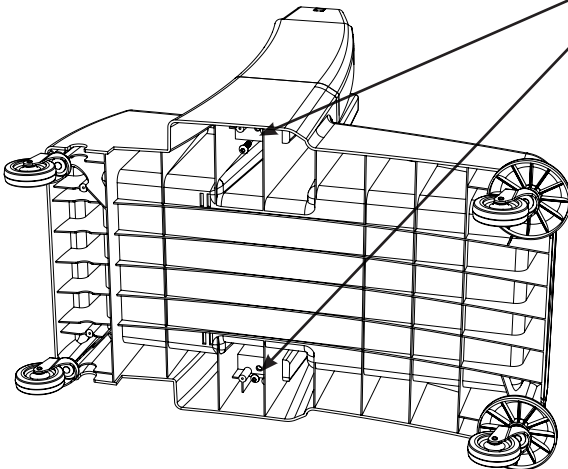
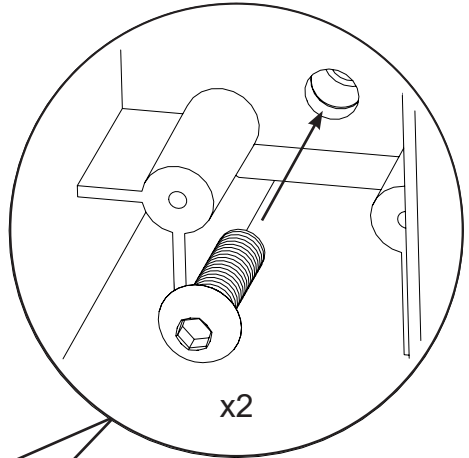
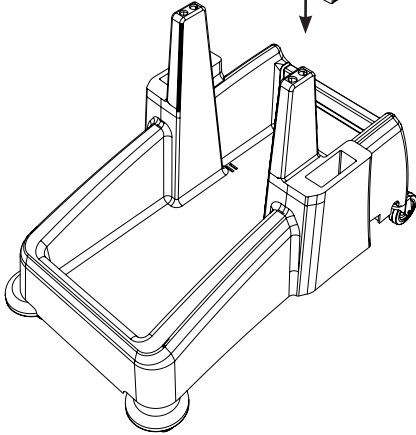


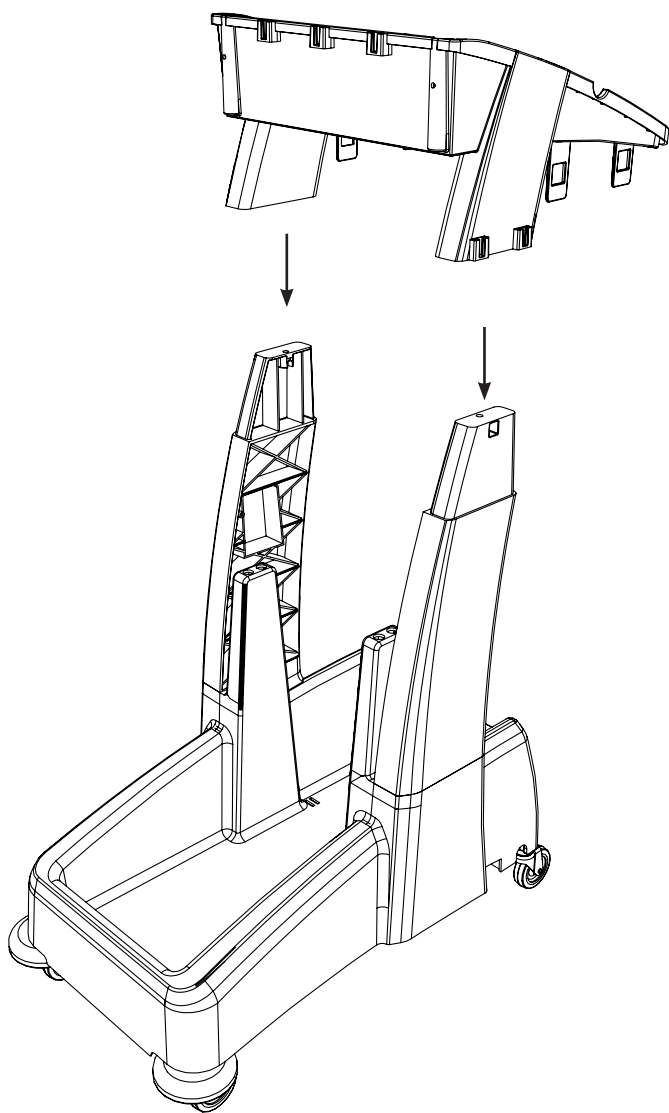


M8 X 25mm Socket Bolt

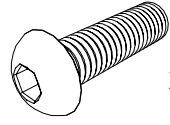


x2

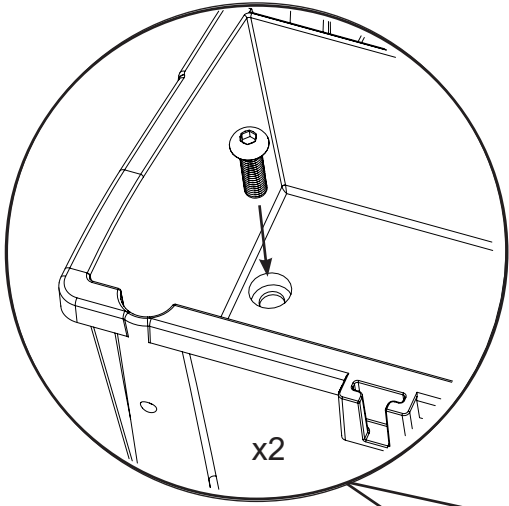




M8 X 25mm Socket Bolt



x2



x2

