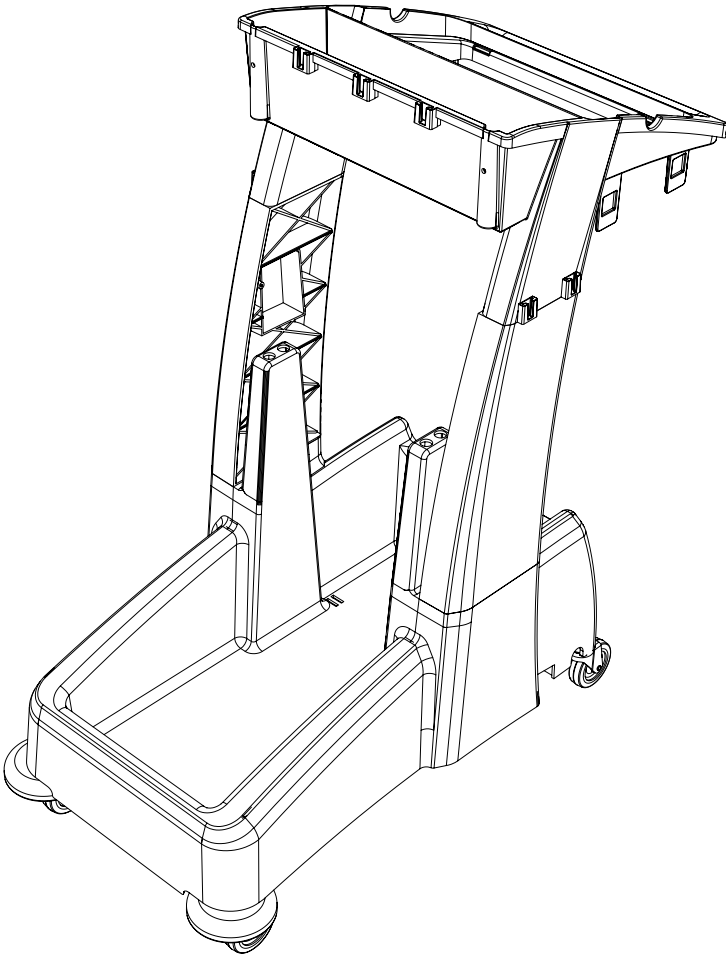


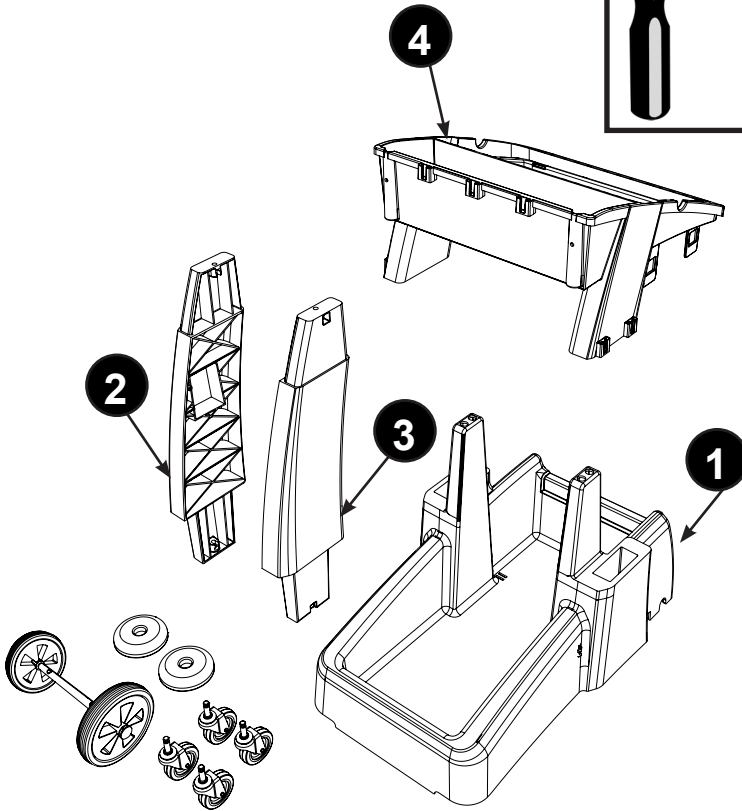
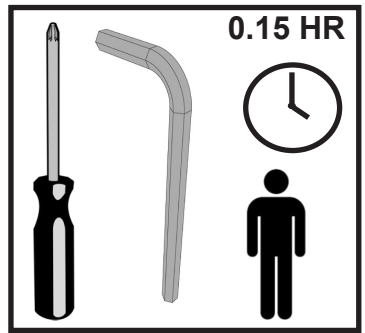
MM-0

# Numatic

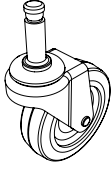
[numatic.com](http://numatic.com)



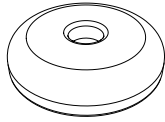
Original Instructions



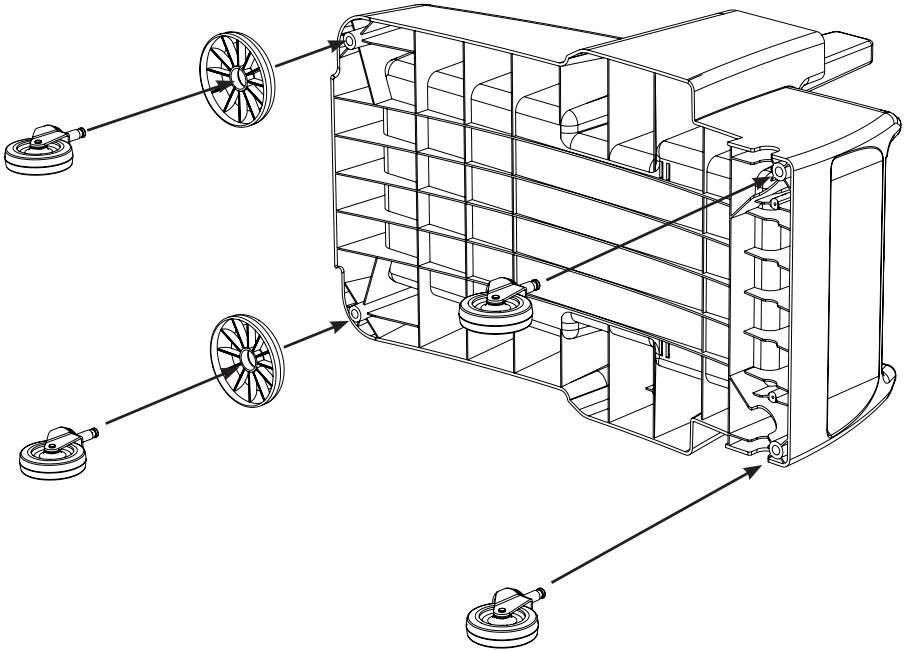
| Item            | Description              | Quantity |
|-----------------|--------------------------|----------|
| 1               | Reflo Base               | 1        |
| 2               | Left Hand Upright        | 1        |
| 3               | Right Hand Upright       | 1        |
| 4               | Handle Frame             | 1        |
| Optional Extra: | -Axle and Wheel Assembly | 1        |



x4

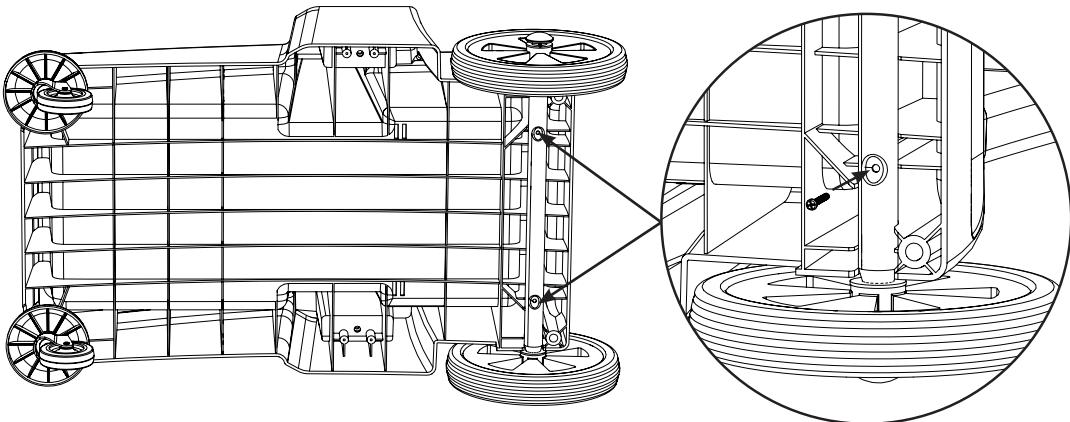
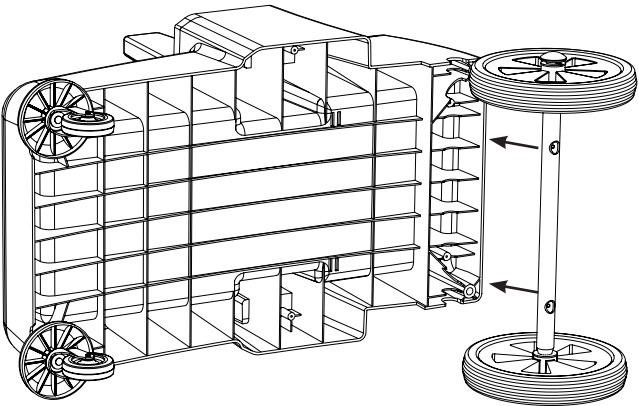


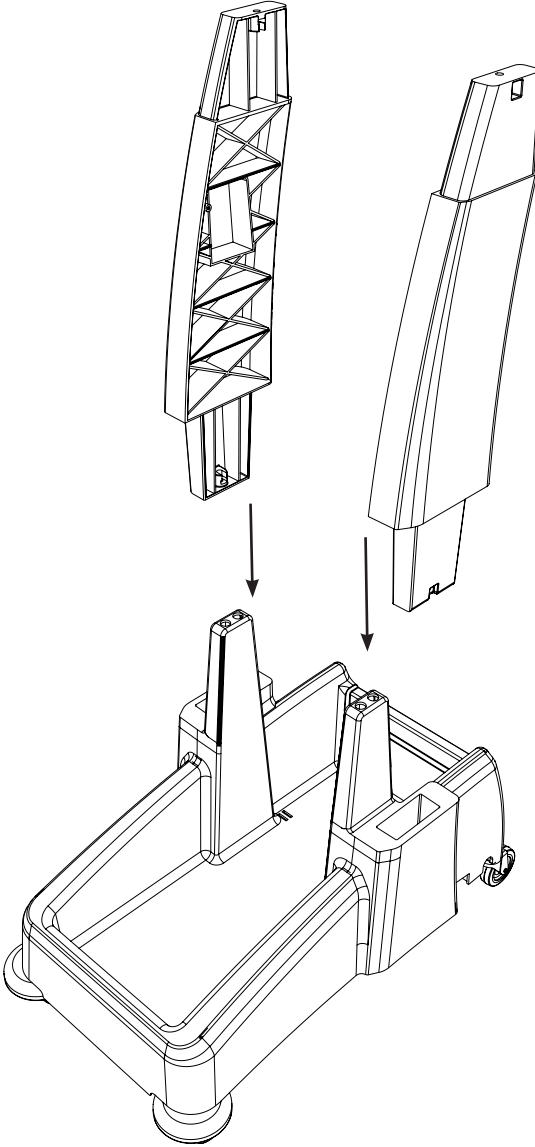
x2



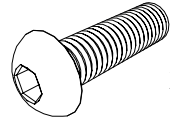
NO6 X 1 3/8 Inch Long  
Pozi Pan Screw

x2      x2      x2      x2      ✓

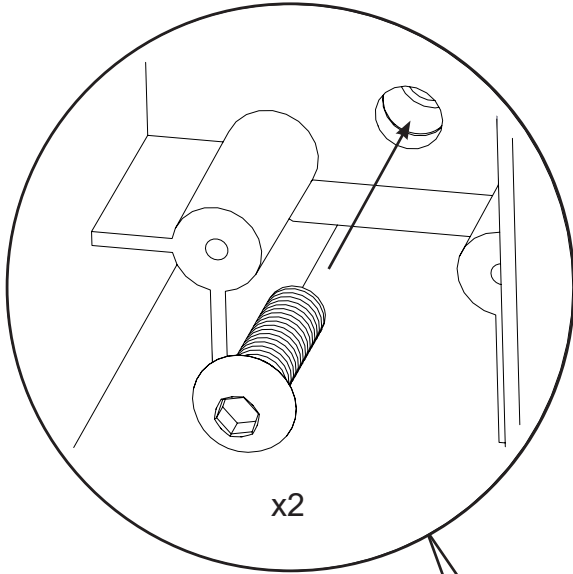




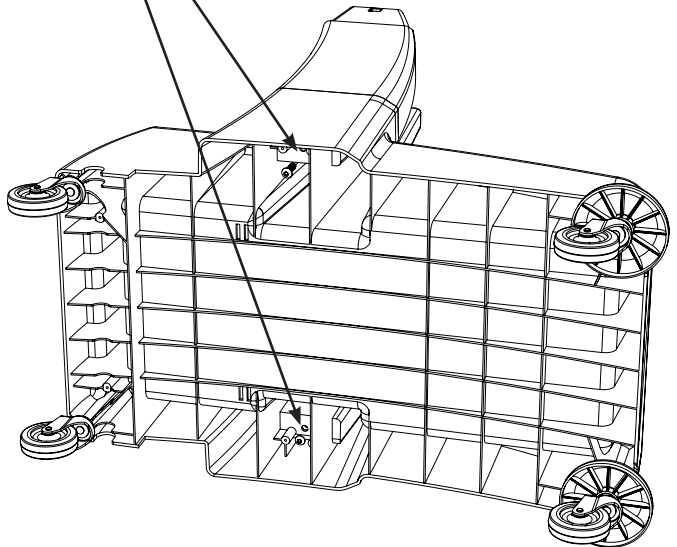
M8 X 25mm Socket Bolt

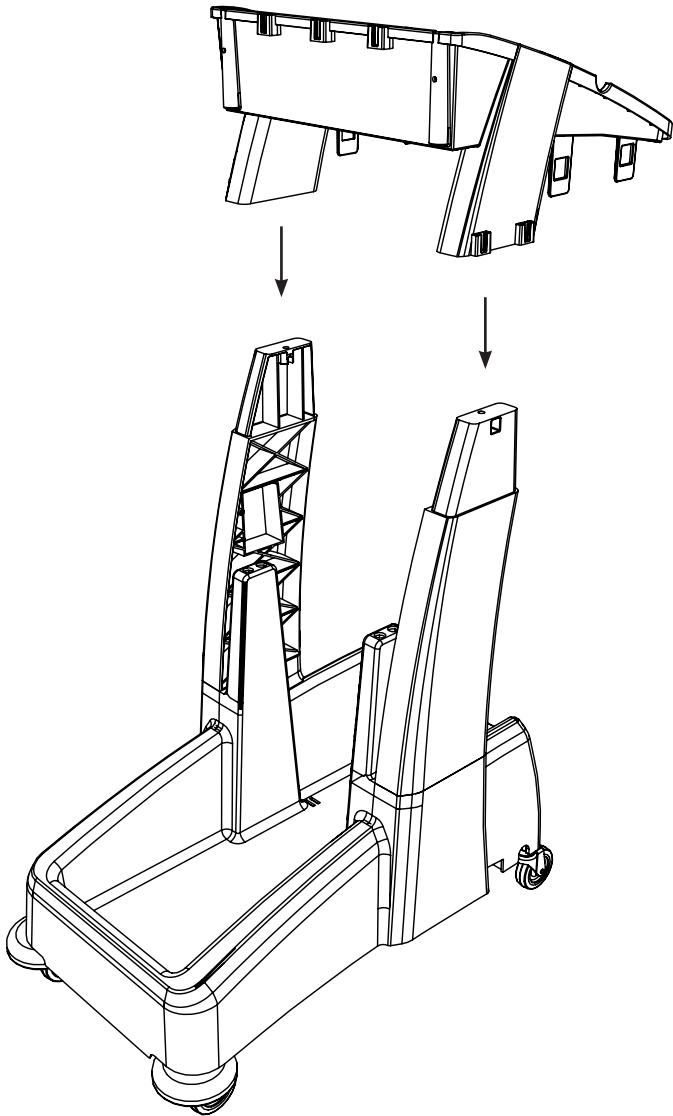


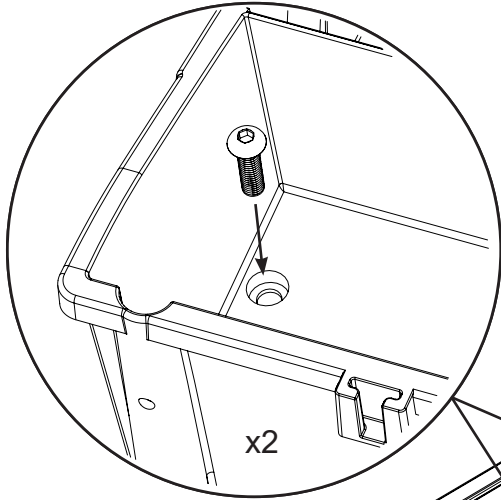
x2



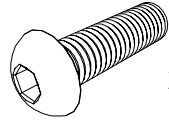
x2



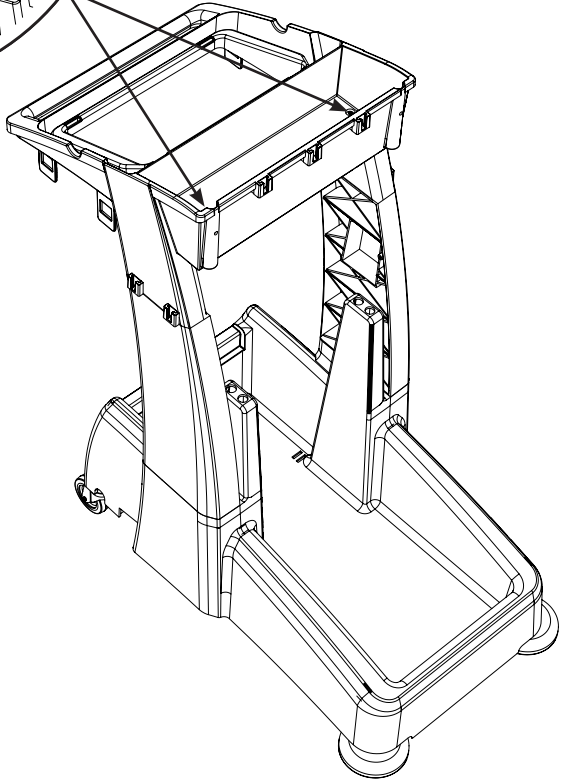




M8 X 25mm Socket Bolt



x2



# Numatic

[numatic.com](http://numatic.com)