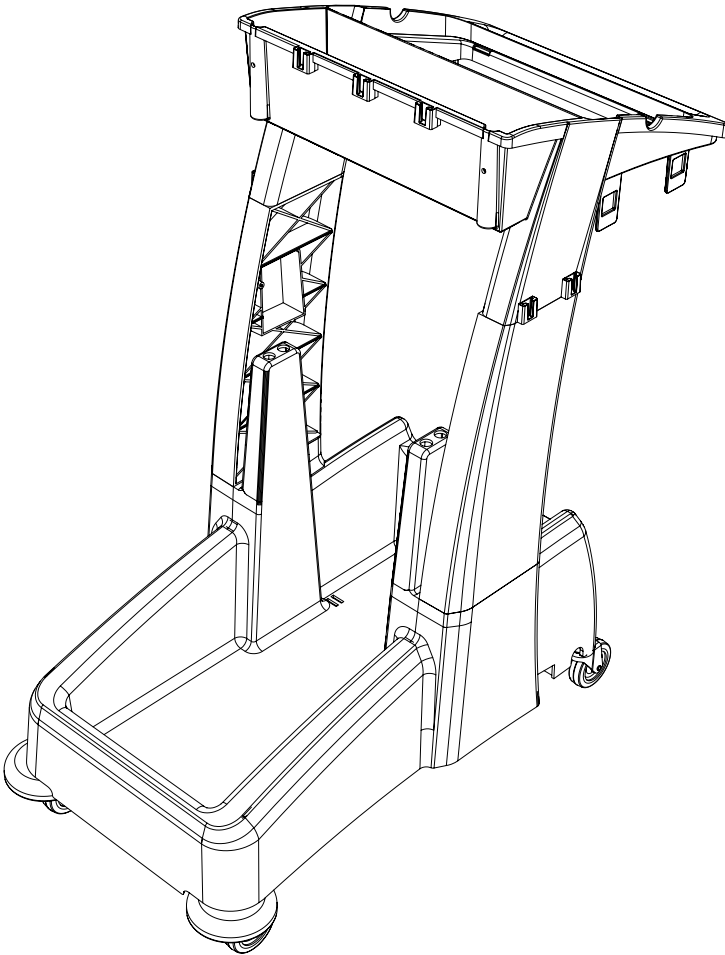


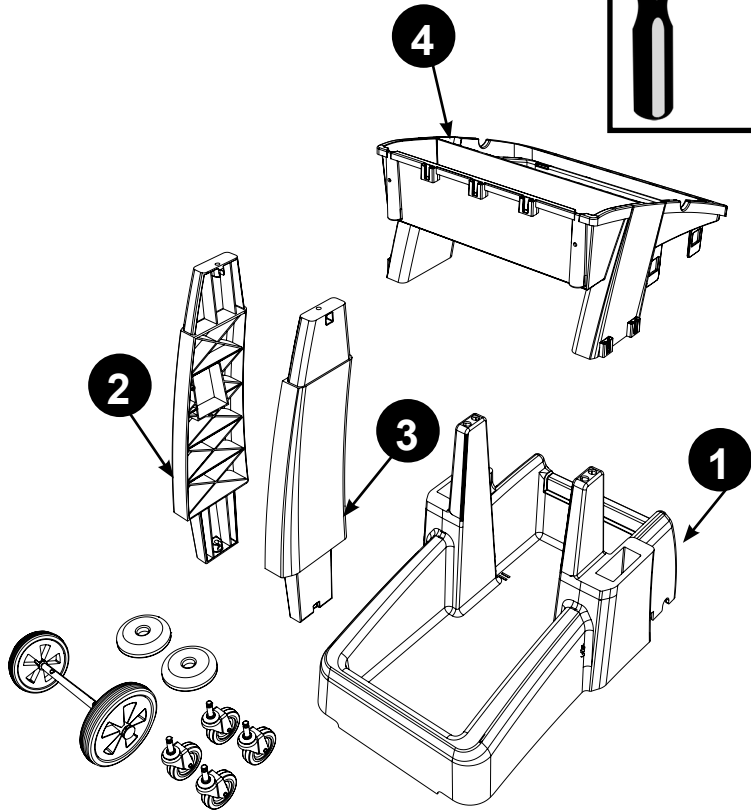
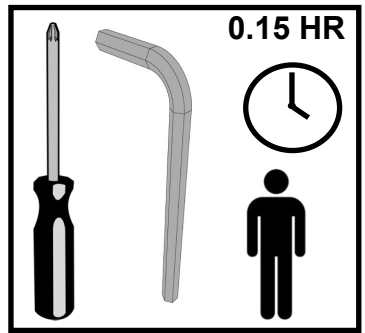
MM-0

# Numatic

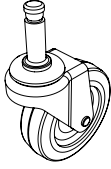
[numatic.com](http://numatic.com)



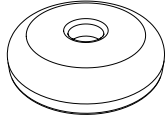
Original Instructions



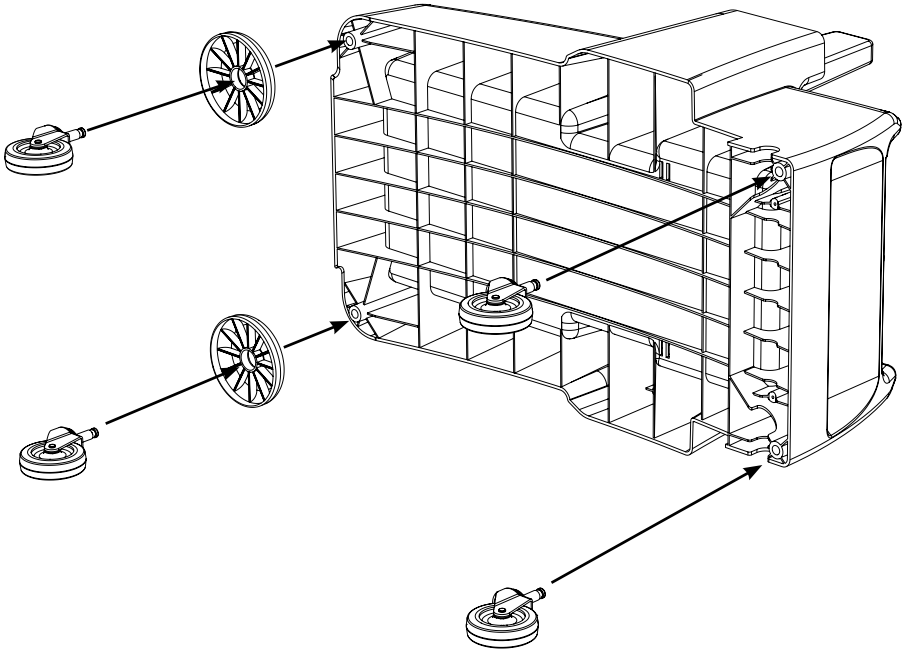
Item	Description	Quantity
1	Reflo Base	1
2	Left Hand Upright	1
3	Right Hand Upright	1
4	Handle Frame	1
Optional Extra:	-Axle and Wheel Assembly	1



x4

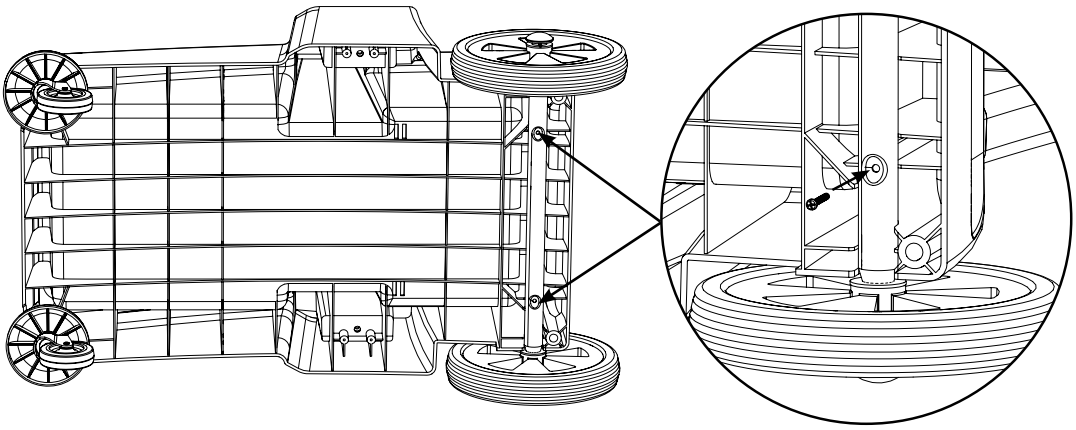
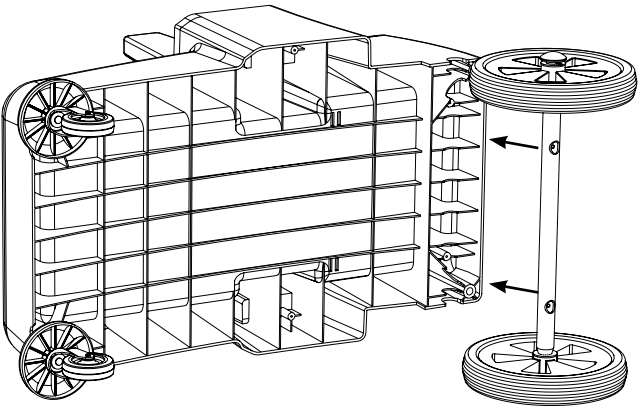


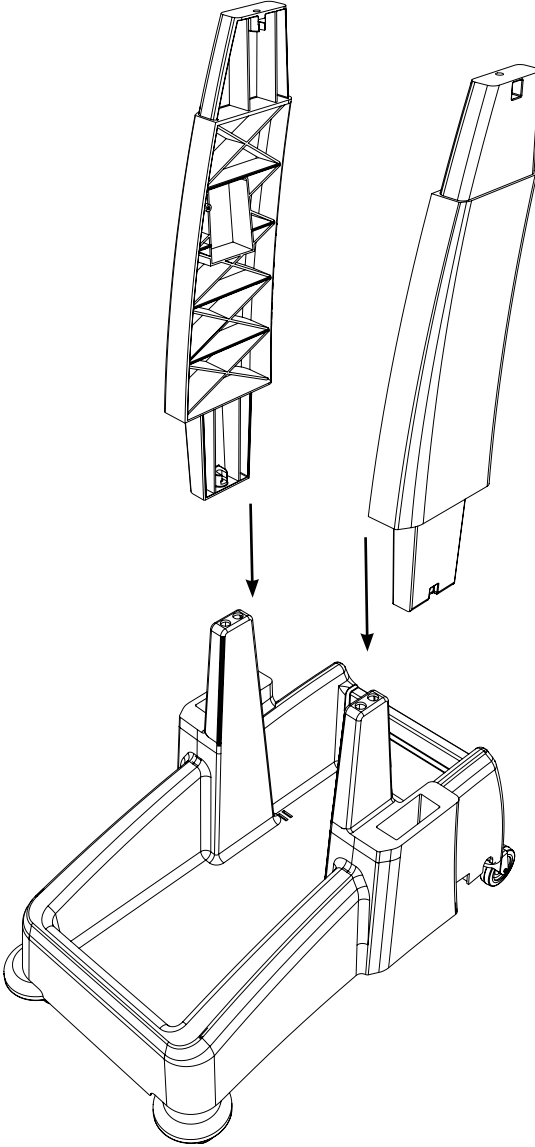
x2



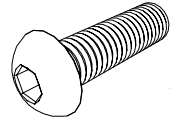
NO6 X 1 3/8 Inch Long  
Pozi Pan Screw

x2      x2      x2      x2      ✓

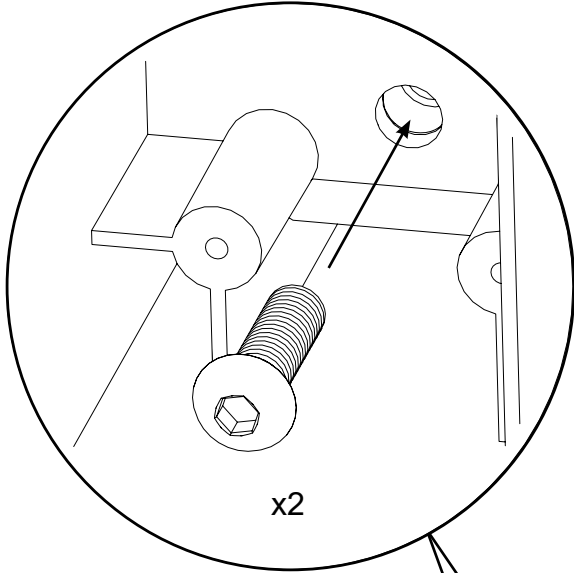




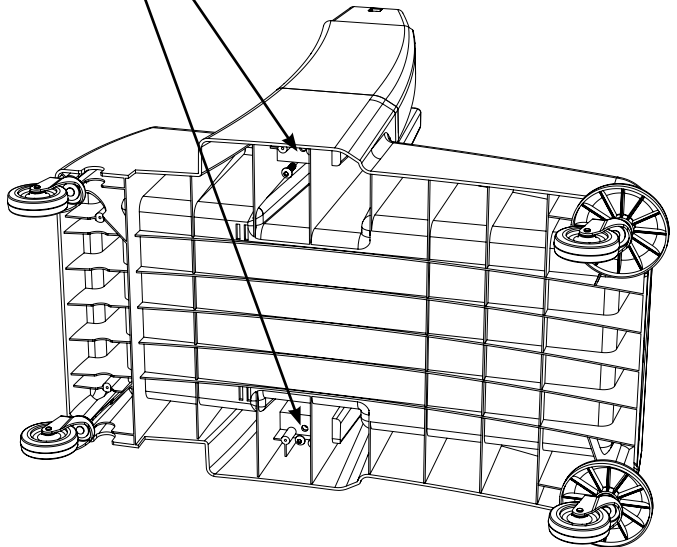
M8 X 25mm Socket Bolt

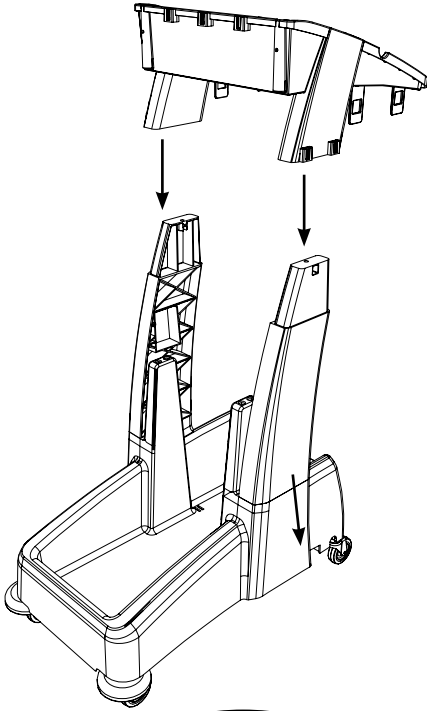


x2

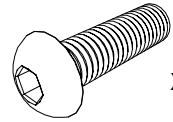


x2

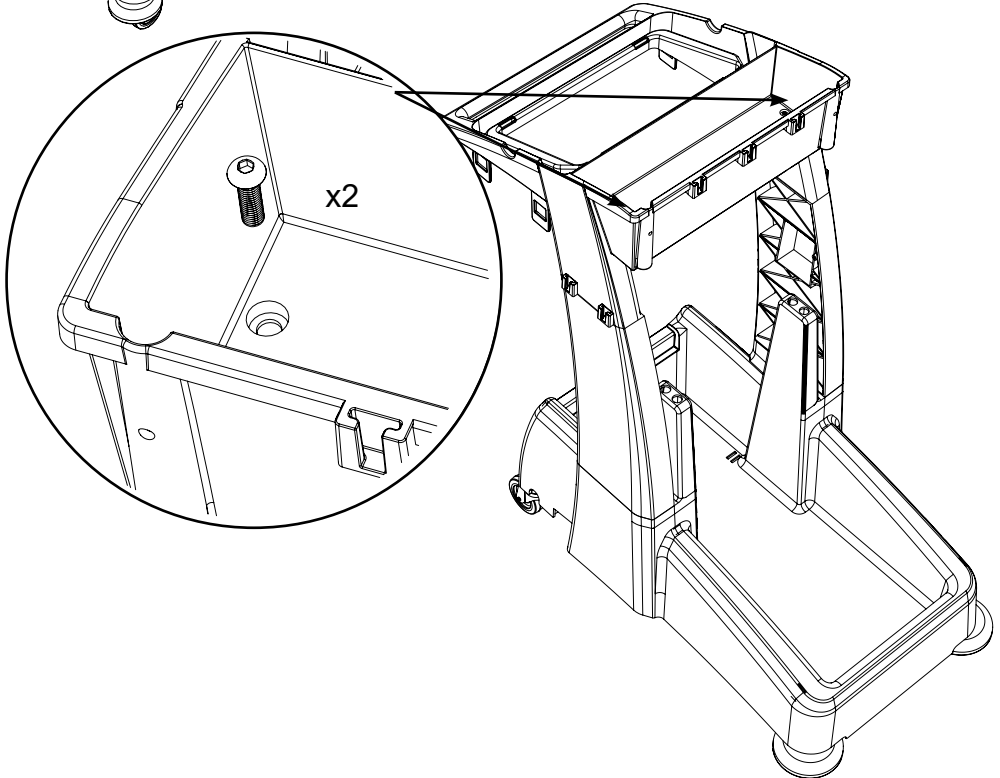




M8 X 25mm Socket Bolt



x2



**Numatic International Limited (Head Office)**

Chard, Somerset TA20 2GB, UNITED KINGDOM  
Tel: 01460 68600 numatic.com

**Numatic International GmbH**

Fränkische Straße 15-19, 30455 Hannover,  
DEUTSCHLAND Tel: +49 (0) 511 984 2160 numatic.de

**Numatic International Denmark**

Fränkische Straße 15-19, 30455 Hannover, DEUTSCHLAND  
Tel: +45 (0) 316 40808 numatic-online.dk

**Numatic International S.A.S**

13/17 rue du Valengelier, EAE la Tuilerie, 77500 Chelles, FRANCE  
Tel: +33 (0) 164 726 161 numatic.fr

**Numatic International BV**

Vennootsweg 15, 2404 CG, Alphen aan den Rijn, NEDERLAND  
Tel: +31 (0) 172 467 999 numatic.nl

**Numatic International Schweiz AG.**

Sihlbruggstrasse 3A, 6340 Baar, SCHWEIZ  
Tel: +41 (0) 41 768 0760 numatic.ch

**Numatic International (PTY) Ltd.**

Cnr. 16th & Pharmaceutical Road, Randjes Park,  
Midrand 1685, SOUTH AFRICA  
Tel: +27 (0) 861 686 284 numatic.co.za

**Numatic International ULDA**

Rua Francisco da Silva Duarte, nº79,  
4475-269 Santa Maria de Avioso, Castelo da Maia, PORTUGAL  
Tel: +351 220 047 700 numatic.pt

**Numatic International Spain, S.L.U.**

Av. Baix Llobregat, 5-7, Oficina bajos 1 (Parc Negocis Mas Blau II)  
08820 El Prat de Llobregat (Barcelona), SPAIN  
Tel: +34 93 647 22 22 numatic.es

**Numatic International Italy S.R.L**

Via Luigi Galvani, 2, Z.I. Talponedo, 33080 Porcia (PN), ITALY  
Tel: +39 (0) 434 046 211 numatic.it

**Edco, Edgar Edmondson Pty Ltd**

Head Office: PO Box 198, Marrickville, NSW 1475, AUSTRALIA  
Delivery & Shipping Address  
18 Garden St, Marrickville, NSW 2204, AUSTRALIA  
Office Number: +61 (0)2 9557 4411, Fax Number: +61 (0)2 9519 9223,  
Email: orders@edmondson.net.au ABN: 27 000 450 144

**Proquip NZ Ltd**

7a Peterkin Street, Taita, Lower Hutt, 5019  
Tel: +64 4 566 7847, Fax: +64 4 576 0430  
Web: www.proquipnz.co.nz