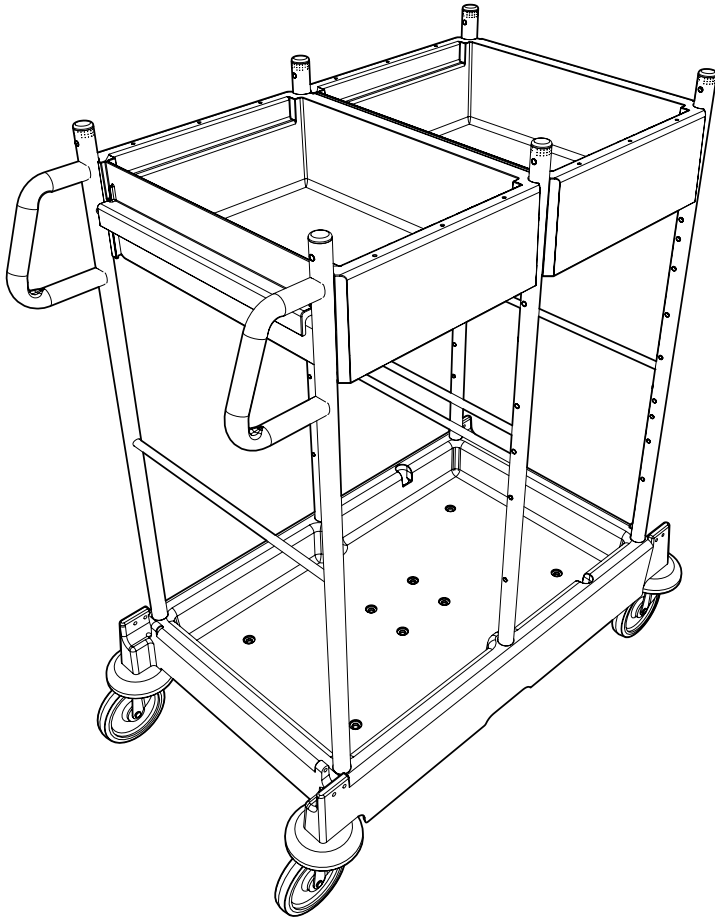


PM-13

Numatic

numatic.com



Original Instructions

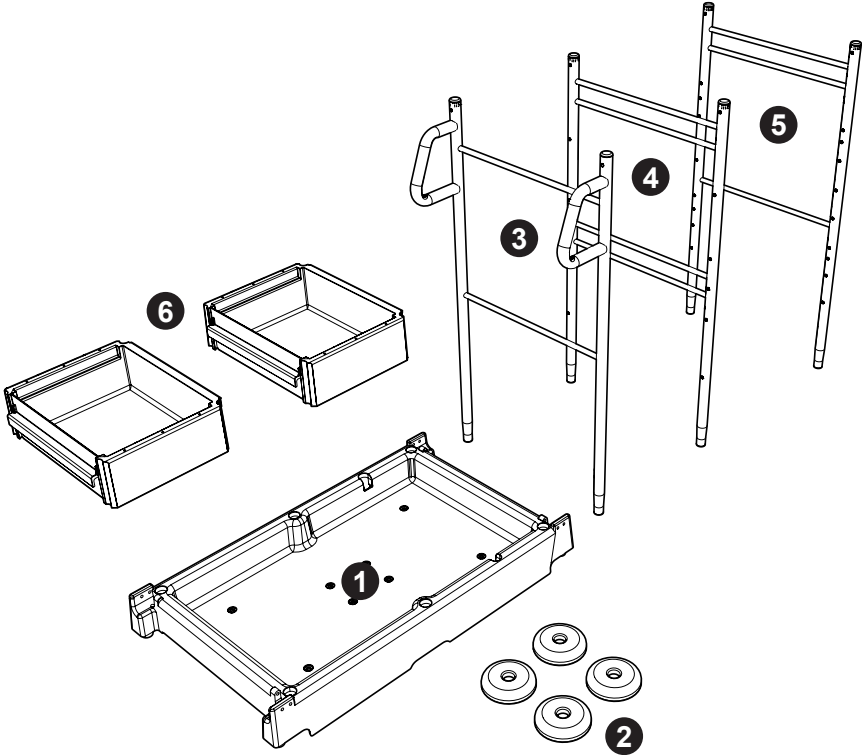
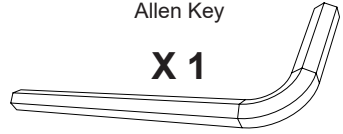


0.5 HR



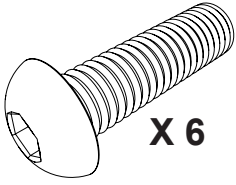
219554
Allen Key

X 1



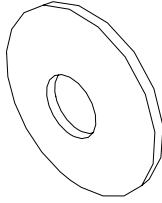
Item	Description	Qty
1	Large refo trolley base	1
2	Buffers	4
3	upright	1
4	upright	1
5	upright	1
6	Top storage trays	1

291067
M8 25mm Socket Bolt



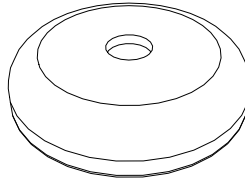
X 6

291068
M8

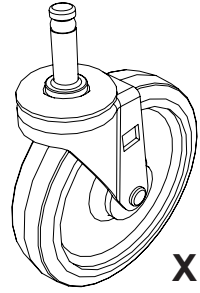


X 6

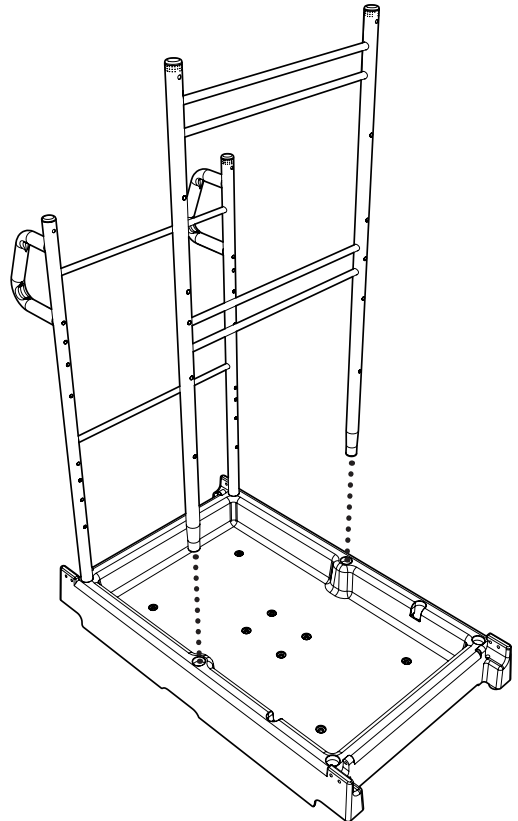
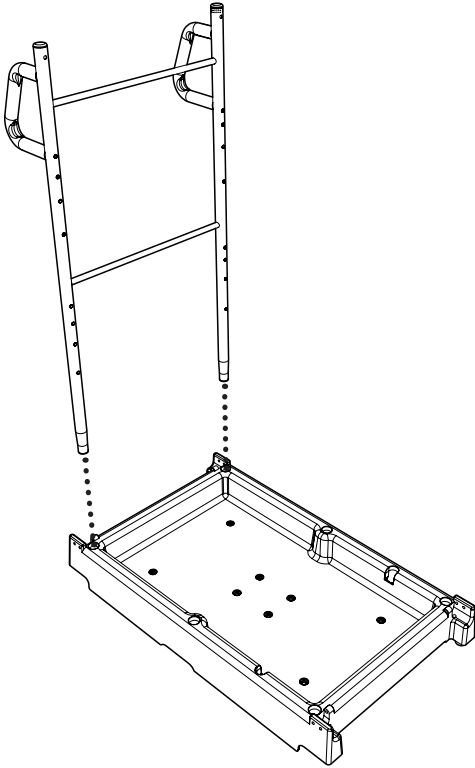
227479
Buffer

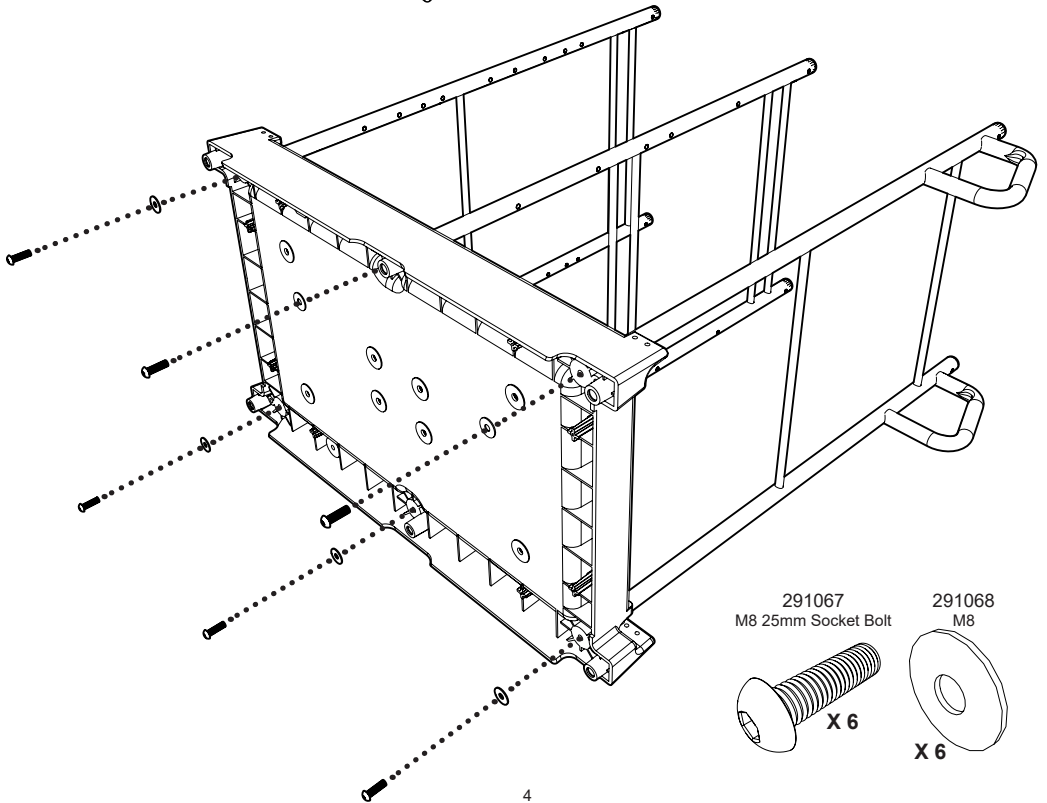
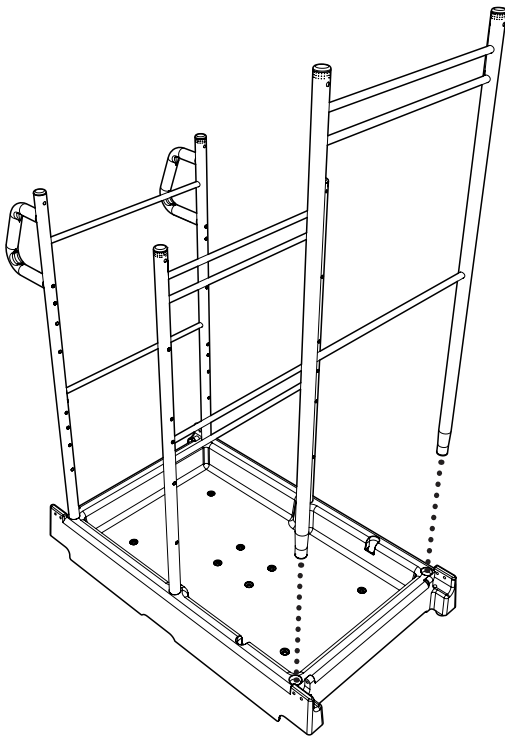


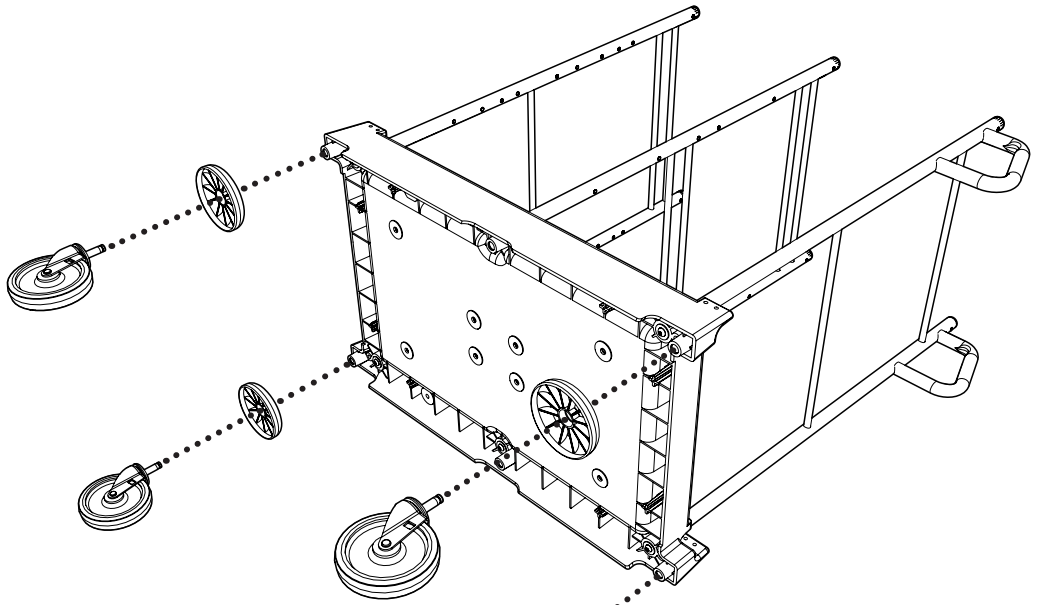
X 4



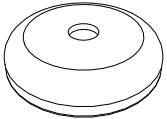
X 4



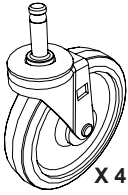




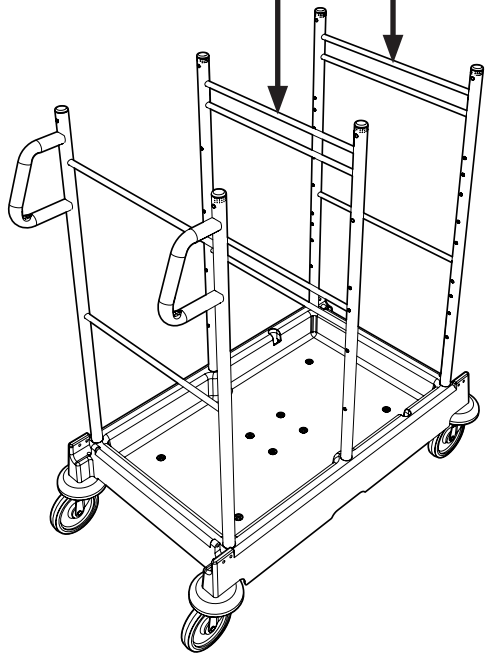
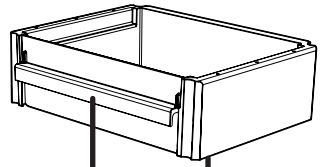
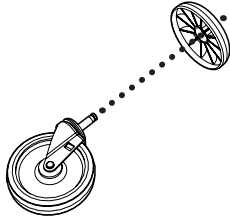
227479
Buffer

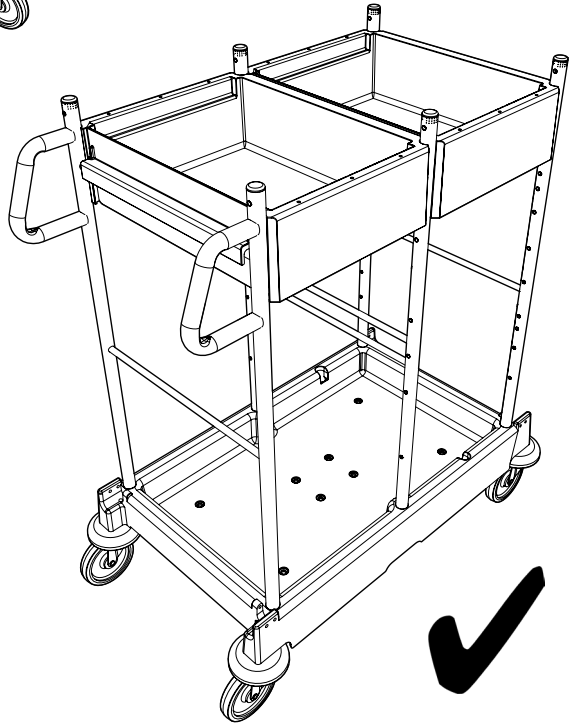
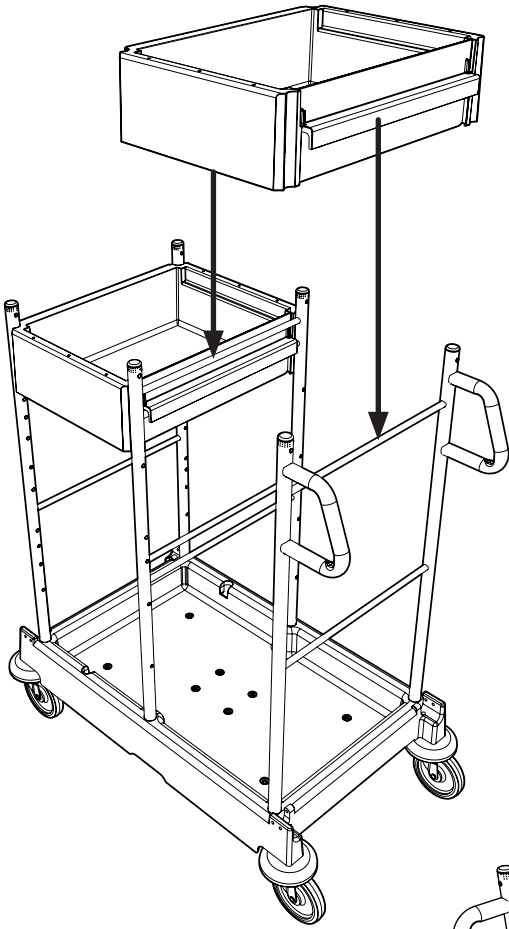


X 4



X 4





A Optional AT (All Terrain) Wheel Fitting

