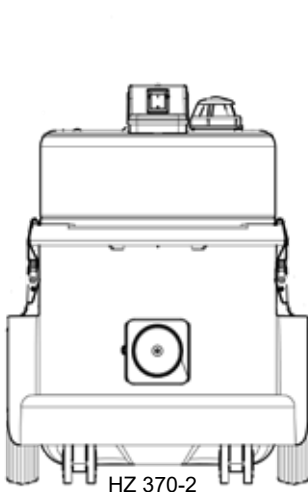


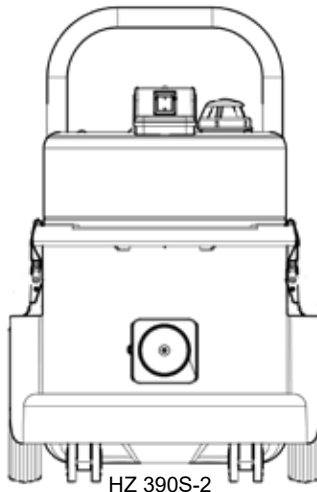
HZ370-2
HZ 390S-2
HZ 390L-2
(Kit AA18)

Numatic

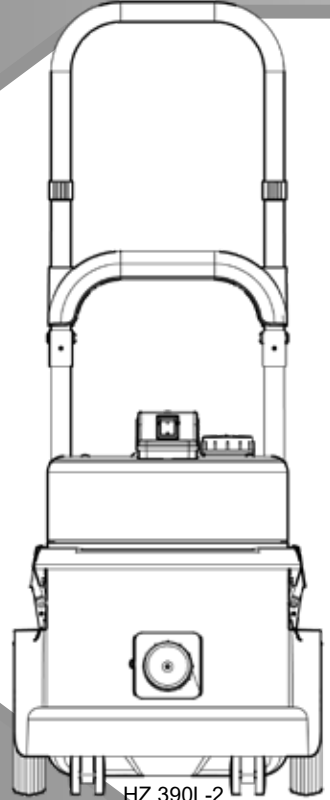
numatic.com



HZ 370-2



HZ 390S-2



HZ 390L-2

Original Instructions

CAUTION, Read instructions before using the machine.

Übersetzung der Original-Bedienungsanleitung

VORSICHT, Vor Verwendung der Maschine bitte die Anleitung lesen.

Traduction du manuel d'utilisation d'origine

AVERTISSEMENT, Lisez la notice avant d'utiliser la machine.

Vertaling van de oorspronkelijke gebruiksaanwijzing

LET OP, Lees deze gebruiksaanwijzing voordat u de machine gebruikt.

Tradução das Instruções Originais

CUIDADO, Leia as instruções antes de usar a máquina.

Traduzione del manuale d'uso originale

ATTENZIONE, Leggere le istruzioni prima di utilizzare l'apparecchio.

Traducción del manual de uso original

PRECAUCIÓN, Lea las instrucciones antes de utilizar la máquina

Tłumaczenie oryginalnej instrukcji obsługi

PRZESTROGA, Przed przystąpieniem do używania maszyny należy zapoznać się z niniejszą instrukcją.

Översättning av den ursprungliga användarhandboken

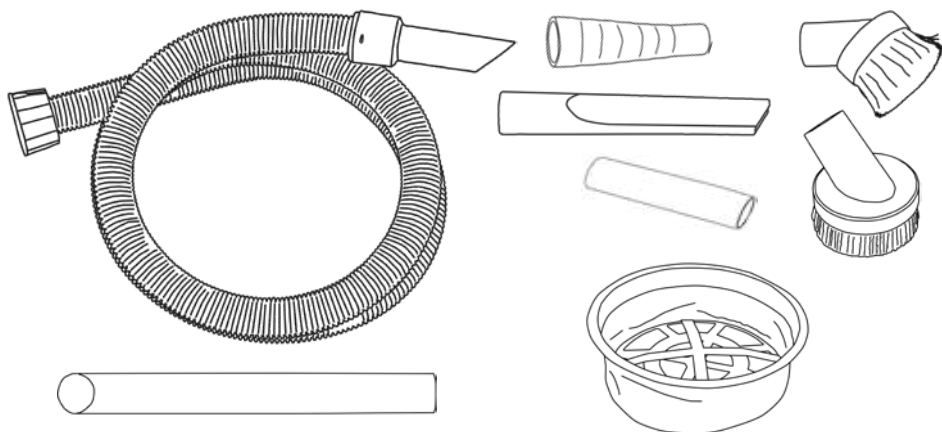
VARNING, Läs anvisningarna innan du använder maskinen.

Alkuperäisen käyttöohjeen käännös

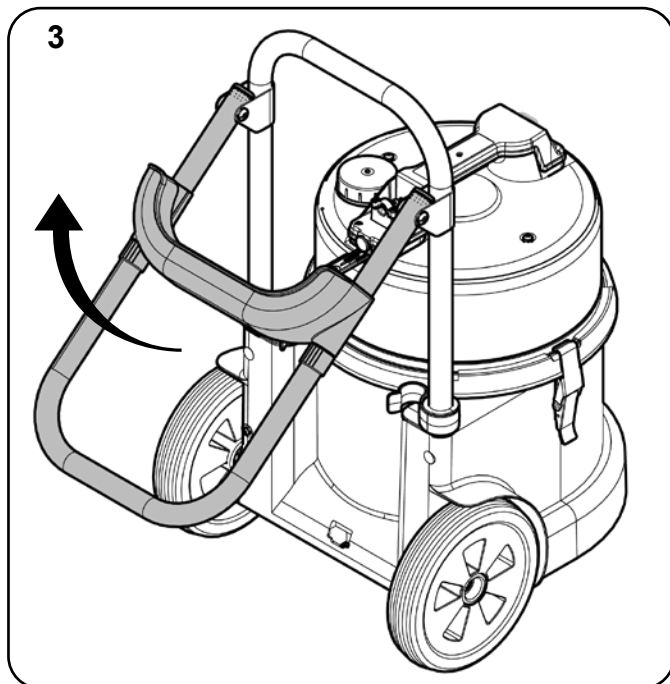
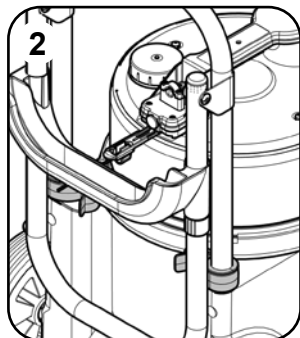
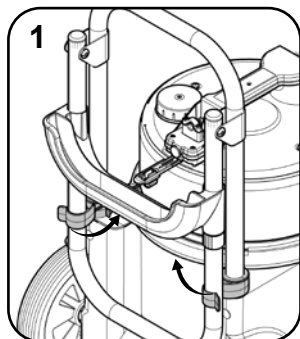
HUOMIO, Lue ohjeet ennen koneen käyttöä.

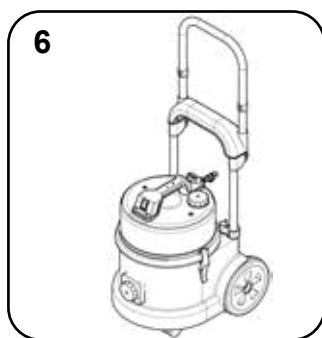
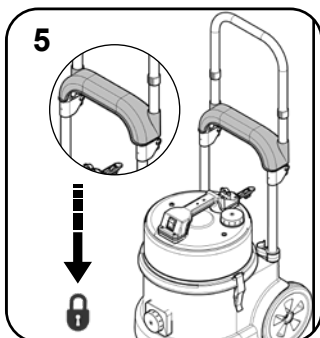
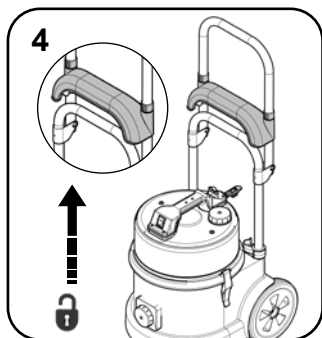
Original vejledning

Advarsel! Læs vejledningen inden brug af maskinen

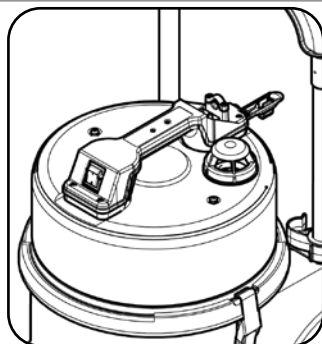
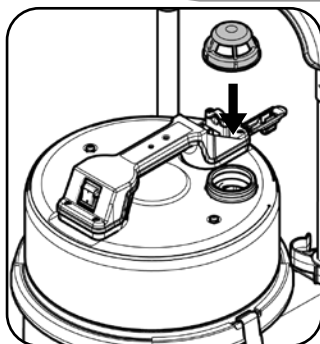
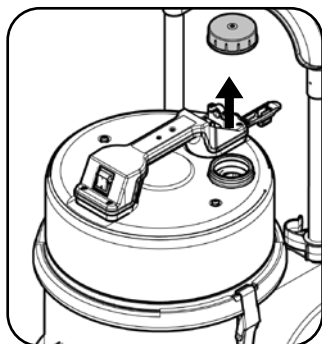


Assembly - Zusammenbau - Assemblage - Samenstelling - Conjunto - Montaggio -
Ensamblaje - Montaž - Montering - Kokoaminen - Montering

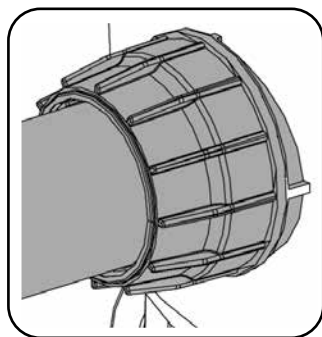
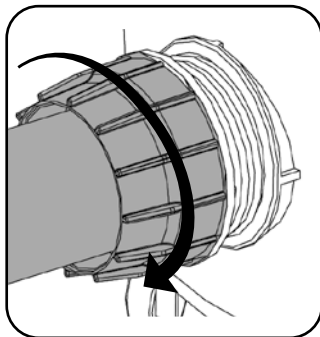
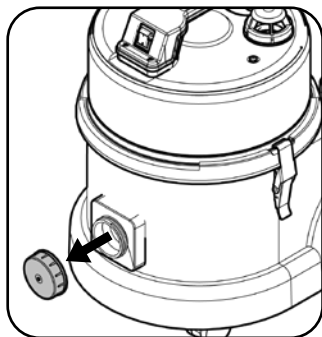




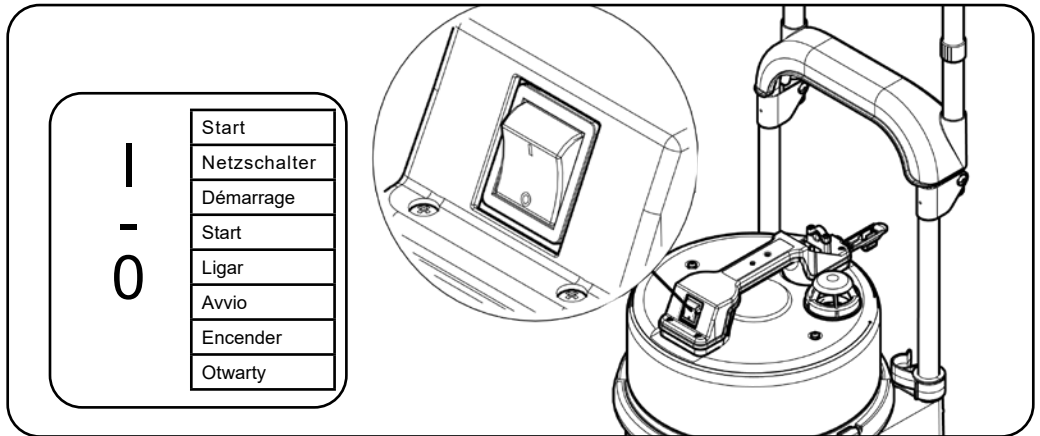
Air Diffuser - Luftverteiler - Diffuseur d'air - Luchtrooster, Difusor de ar - Diffusore aria -
 Difusor de aire - Dyfuzor powietrza - luftavskiljaren - ilmanerottimen - luftseparator



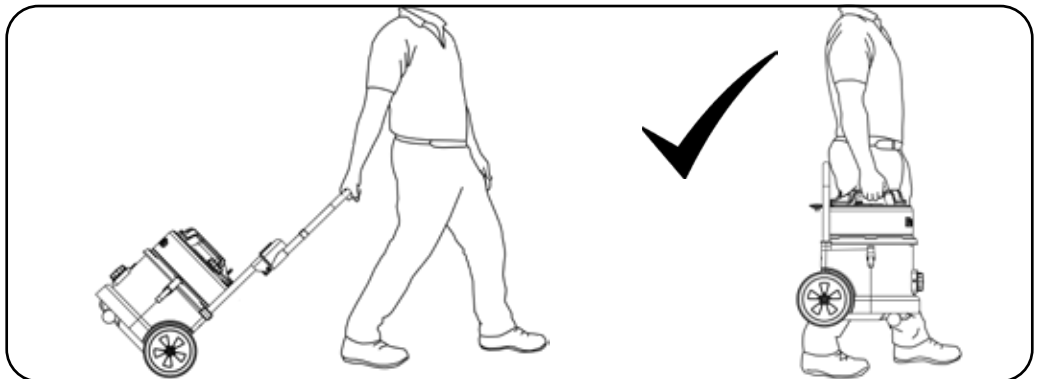
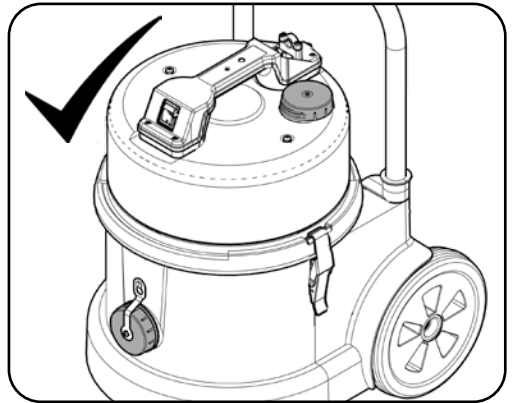
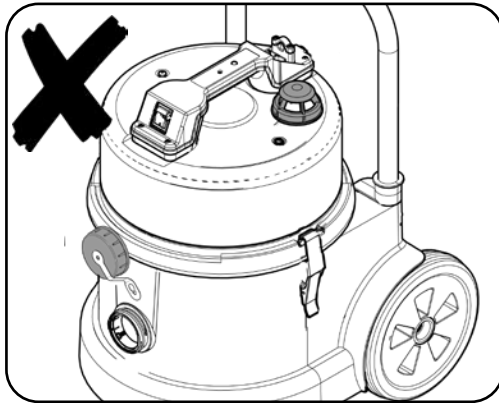
Hose - Schlauch - Tuyau - Slang - Mangueira - Flessibile - Tubo - Wąż -
 Slangen - Letkun - Slange



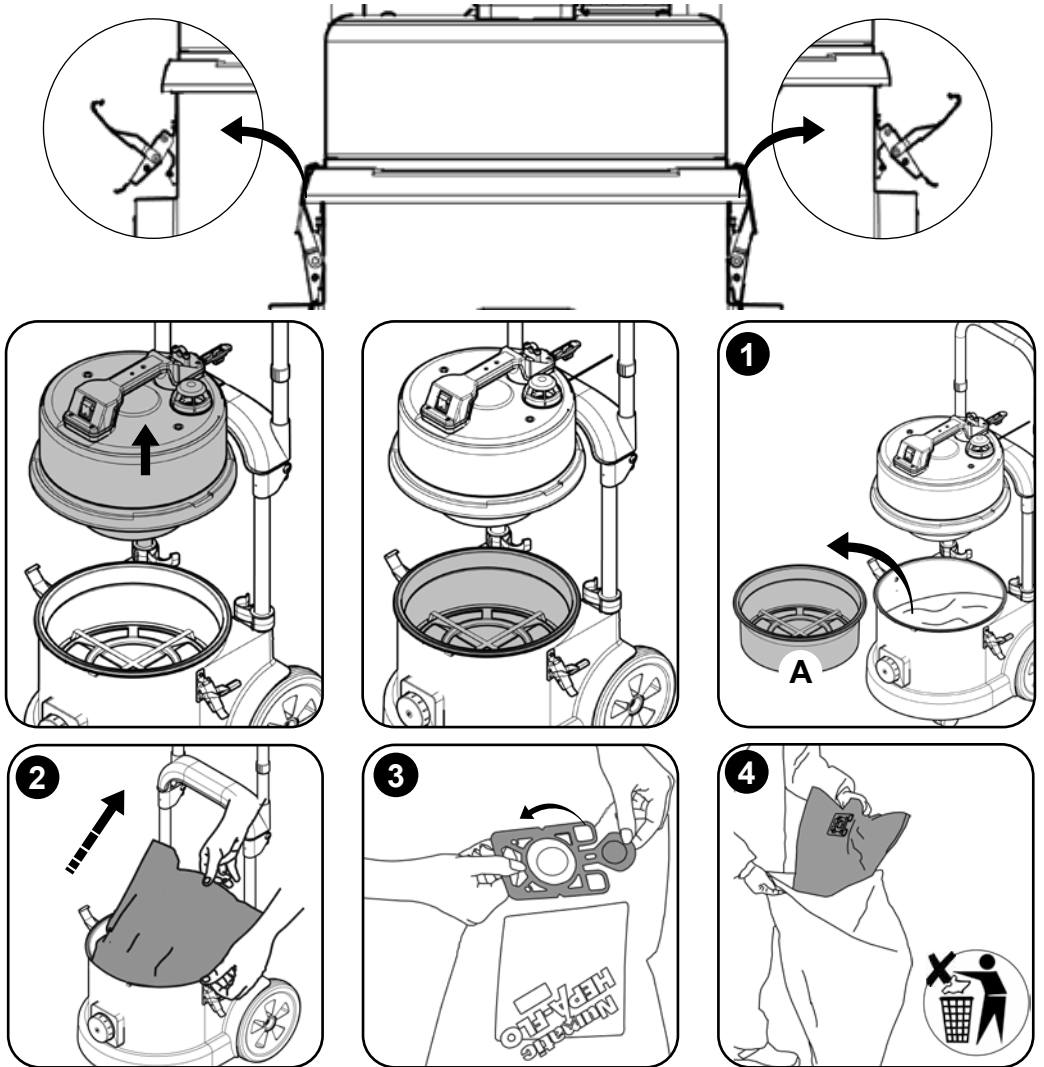
Using your machine - Arbeiten mit dem Gerät - Utilisation de la machine -
De machine gebruiken Utilização da máquina - Uso dell'apparecchio - Utilización de la máquina -
Obsługa maszyny - Använda maskinen - Koneen käyttö - Anvendelse af maskinen

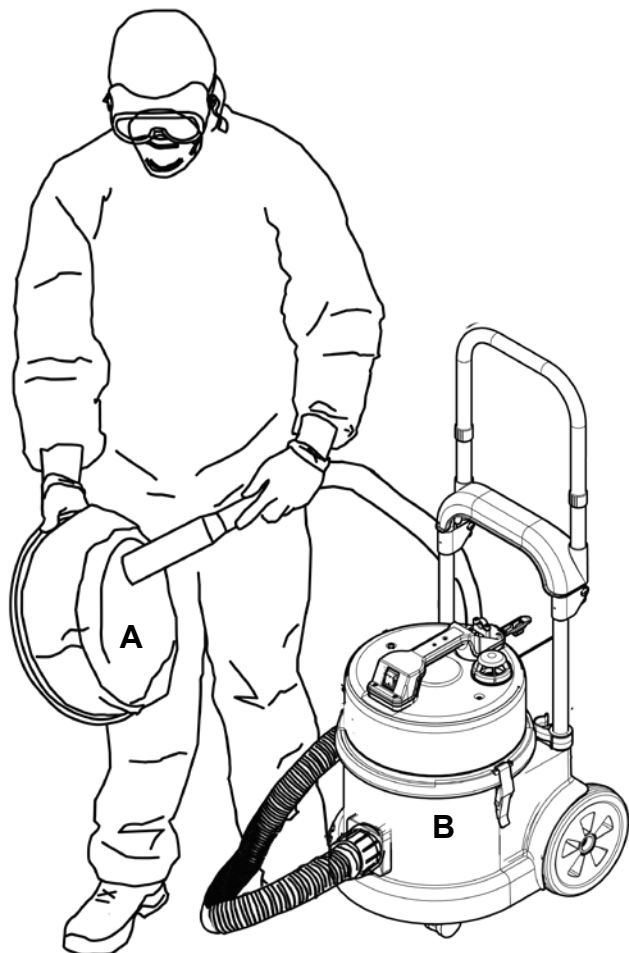
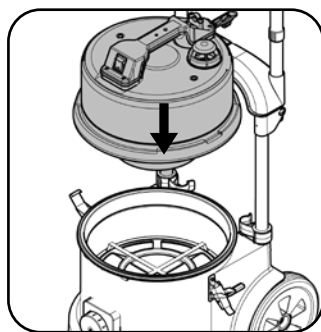
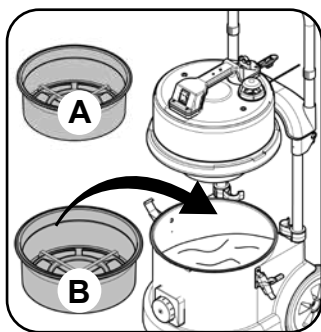


Moving the machine - Bewegen der Maschine - Déplacement de la machine -
Verplaatsen van de machine -Deslocar a máquina - Spostamento della macchina -
Desplazamiento de la máquina - Transportowanie maszyny - Flytta maskinen -
Koneen liikuttaminen - Flytning af maskinen

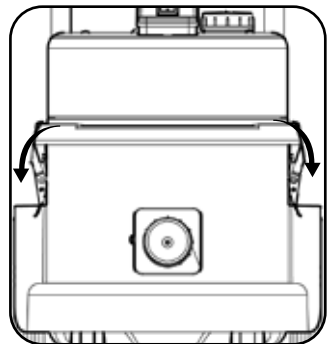
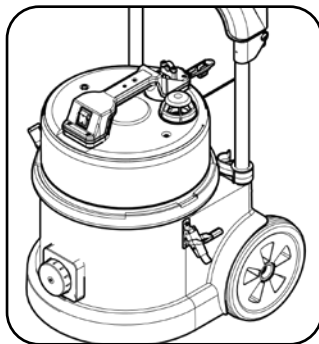
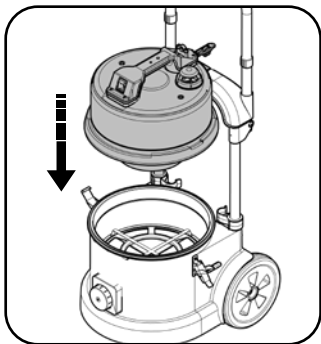
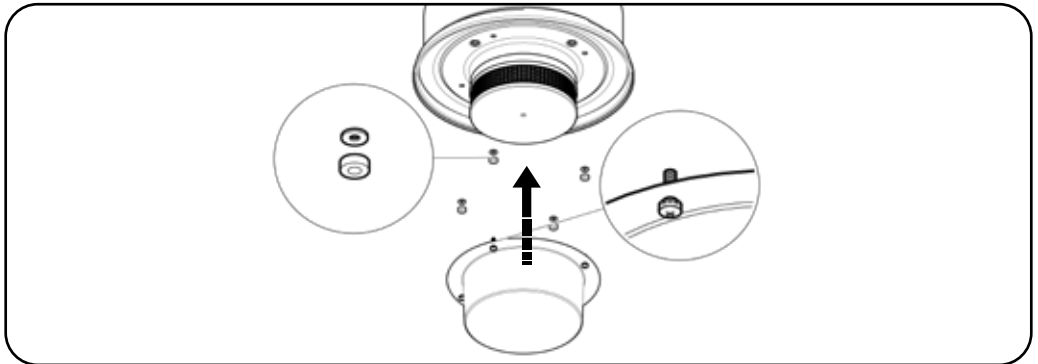
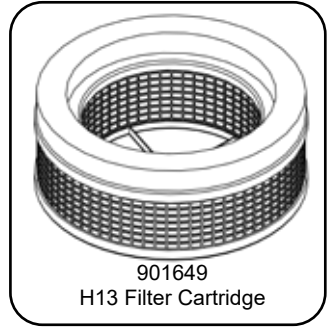
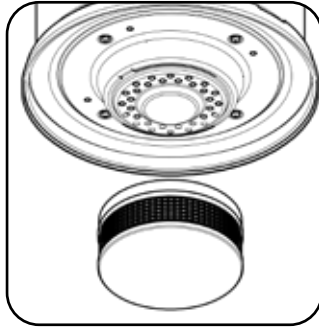
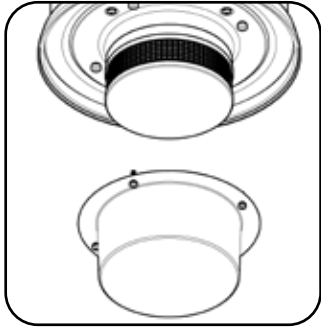
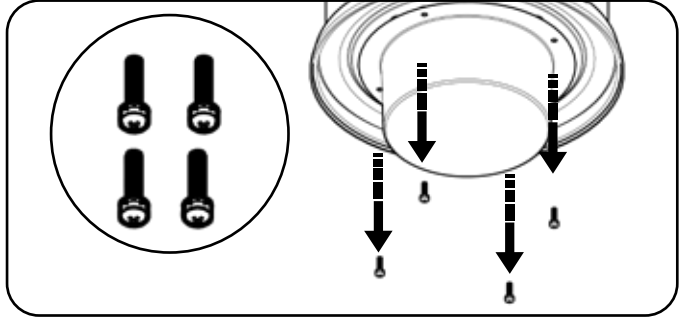
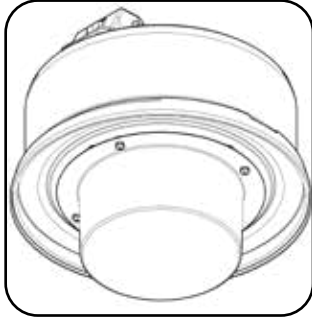


Changing the bag, Cleaning the filter - Wechseln des Beutels und Filterreinigung - Changement du sac, nettoyage du filtre -
Vervangen van de zak, reinigen van de filter - Substituir o saco, limpar o filtro - Sostituzione del sacchetto, Pulizia del filtro -
Cambio de la bolsa, limpieza del filtro - Wymiana worka, czyszczenie filtra - Byta páse, rengóra filitret - Pussin vaihto ja suodattimen puhdistus -
Udskiftning af pose, rengøring af filter



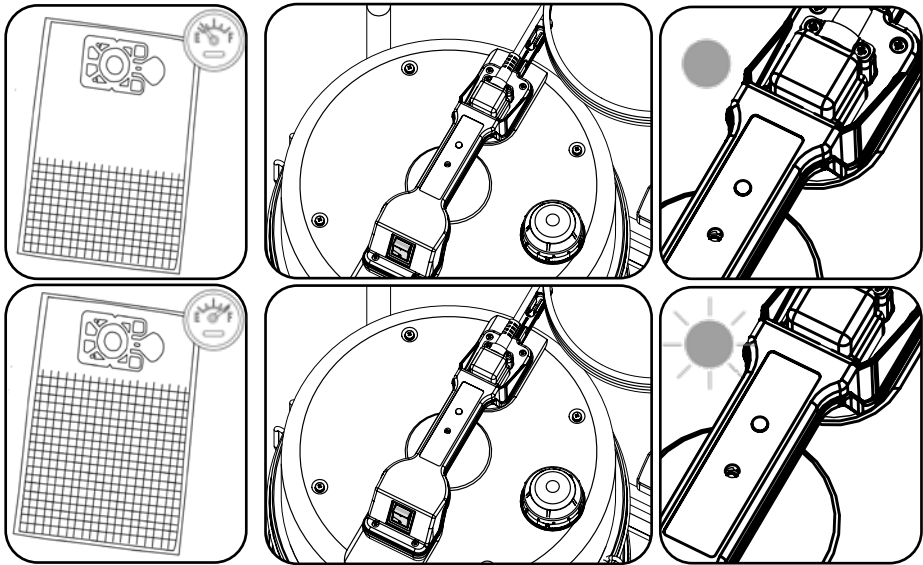


Replacing the Cartridge Filter - Austauschen des Filterelements - Remplacement de la cartouche filtrante -
Vervangen van het patroonfilter - Substituir o filtro de cartucho - Sostituzione della cartuccia filtrante - Cambio del filtro de
cartucho - Wymiana wkładu filtracyjnego - Byte av patronfilter - Kasetin suodattimen vaihtaminen -
Udskiftning af patronfilteret



Low Flow Indicator

This appliance is fitted with a low flow indicator to show that air flow has reduced.
In the event of the indicator light flashing, check the following:-



| Cause | Solution |
|------------------------|---|
| Dust caps still fitted | Remove the caps. |
| Blocked hose | Unblock the hose. |
| Bag full | Remove and replace |
| Cloth filter clogged | Remove and replace, clean dirty filter by vacuuming. |
| Hepa cartridge clogged | Replace, seek advice from an instructed person or manufacturer. |

Kontrollleuchte - Diese Maschine ist mit einer Kontrollleuchte ausgestattet, die aufleuchtet, wenn der Luftdurchsatz nachlässt. Wenn die Kontrollleuchte blinkt, überprüfen Sie Folgendes:

DE

| Ursache | Abhilfe |
|------------------------------|---|
| Staubkappen nicht abgenommen | Die Kappen entfernen. |
| Schlauch verstopft | Den Schlauch frei machen. |
| Beutel voll | Entfernen und ersetzen |
| Gewebefilter verstopft | Entfernen und ersetzen, verschmutzten Filter absaugen. |
| HEPA-Filterelement verstopft | Ersetzen, ggf. Fachkraft oder Hersteller um Rat bitten. |

Indicateur de faible débit - Cet appareil est muni d'un indicateur de faible débit pour montrer que le débit d'air a diminué. Si le voyant se met à clignoter, vérifiez les points suivants : -

FR

| Cause | Solution |
|---|---|
| Bouchons anti-poussière toujours en place | Retirer les bouchons. |
| Tuyau bouché | Déboucher le tuyau. |
| Sac plein | Retirer et remplacer |
| Filtre textile encrassé | Retirer et remplacer, nettoyer le filtre sale par aspiration. |
| Cartouche HEPA encrassée | Remplacer, demander conseil à une personne qualifiée ou au fabricant. |

Indicator verminderde zuigkracht - Dit apparaat is voorzien van een indicator om aan te geven dat de zuigkracht verminderd is. Loop onderstaande punten na als het indicatielampje begint te knipperen:

NL

| Oorzaak | Oplossing |
|----------------------------|---|
| Stofdoppen niet verwijderd | Verwijder de doppen. |
| Verstopte slang | Maak de slang vrij. |
| Zak vol | Vervang de zak |
| Doekfilter verstopt | Vervang de doekfilter, stofzuig de verstopte filter. |
| Hepa-filter verstopt | Vervang de filter, vraag advies aan een deskundige of aan de fabrikant. |

Indicador de fluxo reduzido - Este aparelho está equipado com um indicador de fluxo reduzido. Se a luz indicadora estiver a piscar, verifique os seguintes pontos:-

PT

| Causa | Solução |
|-----------------------------------|--|
| Tampas do pó continuam instaladas | Remover as tampas. |
| Tubo flexível entupido | Desentupir o tubo flexível. |
| Saco cheio | Retirar e substituir |
| Filtro de pano entupido | Retirar e substituir, limpar o filtro sujo aspirando. |
| Cartucho Hepa entupido | Substituir, solicitar aconselhamento junto de uma pessoa devidamente formada ou do fabricante. |

Indicatore flusso basso - L'apparecchio è dotato di un indicatore di flusso basso che segnala una riduzione del flusso d'aria. Se l'indicatore lampeggia controllare quanto segue:

IT

| Causa | Soluzione |
|----------------------------|--|
| Tappi ancora installati | Rimuovere i tappi. |
| Flessibile ostruito | Sbloccare il flessibile. |
| Sacchetto pieno | Rimuovere e sostituire |
| Filtro in tessuto intasato | Rimuovere e sostituire, pulire il filtro sporco tramite aspirazione. |
| Filtro HEPA intasato | Sostituire, rivolgersi a una persona qualificata o al produttore. |

Testigo de caudal bajo - Este aparato tiene un testigo de caudal bajo para indicar que se ha reducido el caudal de aire. En caso de parpadear el testigo, compruebe los siguientes aspectos:

ES

| Causa | Solución |
|--------------------------------------|---|
| Las tapas guardapolvo siguen puestas | Quitar las tapas. |
| Tubo obstruido | Despejar el tubo. |
| Bolsa llena | Sustituir la bolsa |
| Filtro textil obstruido | Desmontar el filtro y limpiarlo con una aspiradora antes de volver a colocarlo. |
| Cartucho HEPA obstruido | Sustituir el cartucho; consultar a una persona capacitada o al fabricante. |

Wskaźnik niskiego przepływu - Niniejsze urządzenie jest wyposażone we wskaźnik niskiego przepływu, wskazujący na zmniejszenie przepływu powietrza. W razie migania lampki wskaźnika należy sprawdzić:-

PL

| Przyczyna | Rozwiązanie |
|-----------------------------------|--|
| Zamontowane kołpaki przeciwpylowe | Zdjąć kołpaki |
| Zablokowany wąż | Odblokować wąż. |
| Pełny worek | Zdjąć i wymienić. |
| Zatkany filtr tkaninowy | Zdjąć i wymienić, oczyścić brudny filtr poprzez odkurzanie. |
| Zatkany filtr Hepa | Wymienić, skonsultować się z odpowiednio przeszkoloną osobą lub producentem. |

Indikator för lågt flöde - Den här apparaten är utrustad med en indikator för lågt flöde som visar att luftflödet har minskat. Om kontrolllampan blinkar ska du kontrollera följande:

SV

| Orsak | Åtgärd |
|---|--|
| Dammkåporna sitter fortfarande på plats | Ta bort kåporna. |
| Slangen är blockerad | Ta bort blockeringen inuti slangen. |
| Påsen är full | Ta bort och byt ut påsen |
| Tygfiltret är igensatt | Ta bort och byt ut filtret. Rengör smutsigt filter genom att dammsuga det. |
| HEPA-kassetten är igensatt | Byt ut kassetten. Rådfråga en behörig person eller tillverkare. |

Pienen virtauksen merkivalo - Koneessa on pienen virtauksen merkivalo, joka osoittaa, että ilmavirta on heikentynyt. Jos merkivalo vilkkuu, tarkista seuraavat:

FI

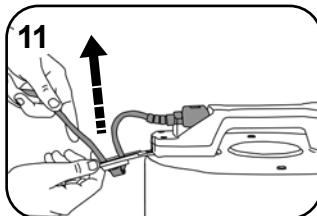
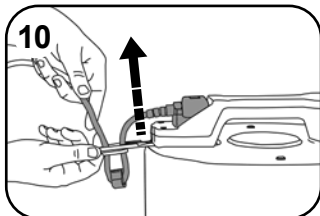
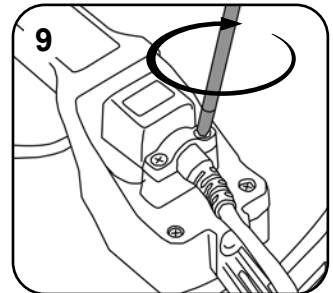
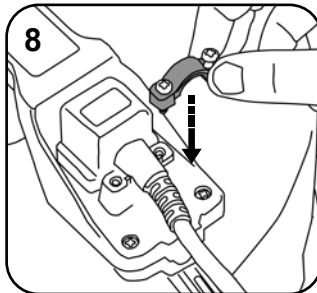
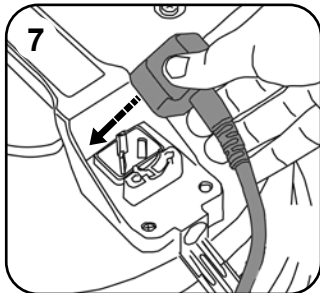
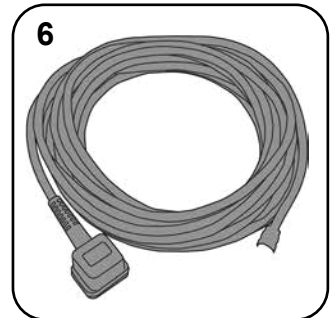
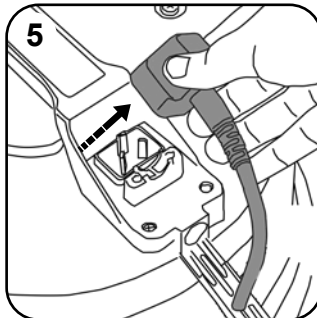
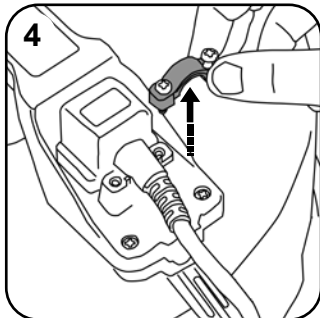
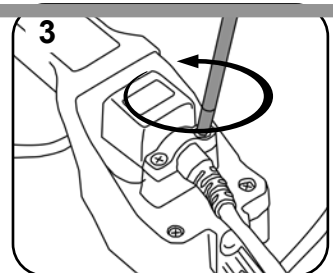
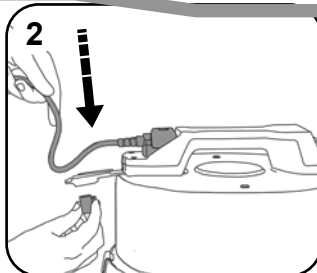
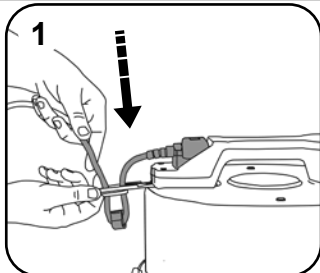
| Syy | Ratkaisu |
|---------------------------|---|
| Pölysuojukset paikoillaan | Irrota suojukset. |
| Letku tukossa | Poista tukos letkusta. |
| Pussi täynnä | Poista ja vaihda |
| Kangassuodatin tukossa | Poista ja vaihda, puhdista likainen suodatin imuroimalla. |
| HEPA-patruuna tukossa | Vaihda, kysy neuvoa osaavalta henkilöltä tai valmistajalta. |

Indikator for lav gennemstrømning - Dette apparat er udstyret med en indikator for lav gennemstrømning for at vise, at luftstrømmen er reduceret. Hvis indikatoren blinker, skal du kontrollere følgende:-

DA

| Årsag | Løsning |
|-------------------------------|--|
| Støvhætter er stadig monteret | Fjern hæfterne. |
| Blokeret slange | Fjern blokeringen fra slangen. |
| Posen er fuld | Fjern og udskift posen. |
| Stoffilter er tilstoppet | Fjern og udskift, rengør snavset filter ved at støvsuge det. |
| HEPA-patron er tilstoppet | Udskift, søg råd hos en fagperson eller producenten. |

Changing the cable - Austausch des Kabels - Remplacement du câble - Vervangen van de kabel - Cambio del cavo - Substituir o cabo - Cambio del cable - Wymiana kabla - Byta sladd - Kaapelin vaihtaminen - Udskiftning af kabel



WARNING

Read the instruction manual before using the machine.
Operators shall be adequately instructed on the use of these machines.

As with all electrical equipment, care and attention must be exercised at all times during use, in addition to ensuring that routine and preventative maintenance is carried out periodically to ensure safe operation.

Failure to carry out maintenance as necessary, including the replacement of parts to the correct standard could render this equipment unsafe and the manufacturer can accept no responsibility in this respect.

This machine is for DRY USE only and must not be stored outside or used in wet conditions.
The machine shall be disconnected from the mains by removing the plug from the supply socket during cleaning or maintenance and when replacing parts or converting the machine to another function.

This machine is not to be used by children or persons with reduced physical, sensory or mental capabilities, or lack of experience or knowledge.

Children should be supervised to ensure they do not play with the machine
This machine is not a toy.

CAUTION

Ensure that the filtration system fitted to the machine is suitable for the material being collected.
This machine is for use indoors only.
This machine should be stored indoors only.

NOTES

This machine is intended for commercial use, for example in hotels, schools, hospitals, factories, shops, offices.
This product complies with the requirements of clause 20 of EN 60335-2-69 Stability and Mechanical Hazards.

DO

- Keep your machine clean.
- Keep filters clean.
- Use filter bags, they will enhance performance and help keep machine clean.
- Use a Numatic Original filter bag under fine dust conditions.
- Keep hoses and tubes clear.
- Replace any worn or damaged parts immediately.
- Regularly examine the power cord. If damage is found such as cracking or ageing the power cord must be replaced by a qualified person using the correct Numatic original part.
- Change dust bag frequently.
- Only use the brushes provided with the machine. The use of other brushes may impair safety.
- Only replace the power cord with the correct Numatic approved replacement part.

DO NOT

- Allow the rotating brush to come into contact with the supply cord (where rotating brushes are fitted).
- Pull on the cable to unplug the machine from the power supply.
- Use to suck up hot ashes or lighted cigarette ends.
- Use steam cleaners or pressure washers to clean the machine or use in the rain.
- Immerse in water for cleaning.
- Attempt machine maintenance or cleaning unless the power supply plug has been removed from the supply outlet.
- Under any circumstances place foreign objects including (but not limited to) air fresheners, air freshener capsules or scented beads of any type into the top filter of the machine. Doing so can be dangerous and risk damage to the machine and may invalidate the machine warranty.

IMPORTANT USER INFORMATION

Before use operators shall be provided with information, instruction and training for the use of the machine and the substances for which it is to be used, including the safe method of disposing of material collected.

The dust container has to be emptied when necessary, but also after every time used.

This vacuum cleaner has a lamp that illuminates when air velocity drops below a preset level, which indicates that the bag must be changed.

This machine is not suitable for connection with dust generating machines.

All filters including the bag must be undamaged and in correct position before this machine can be used safely.

CAUTION: This machine is for dry use only and is not to be used or stored outdoors in wet conditions.

Do not pick up glowing embers or dust or any other ignition hazard

Do not use the power cable as a method of moving the machine.

WARNING:

1. This machine must only be operated by suitably trained and authorised personnel.
2. This machine or its accessories must not be modified.
3. The machine must not be stored or used in a wet environment.
4. Do not allow the dust collection bag (NVM-2BH) to become so full as to reduce the effective pick-up of the vacuum. (Lamp will illuminate at preset air velocity levels < 16 m/s).
Only use the dust collection bag (NVM-2BH) once.
5. Only use the dust collection bag (NVM-2BH) once.
6. This machine must only be repaired by suitably trained and authorised personnel.
7. Only use genuine Numatic International Ltd spare parts, for repairs.
8. This machine must not be installed as a fixed extraction system or run unattended.
9. Do not re-use the essential filter element after removal out of the machine.

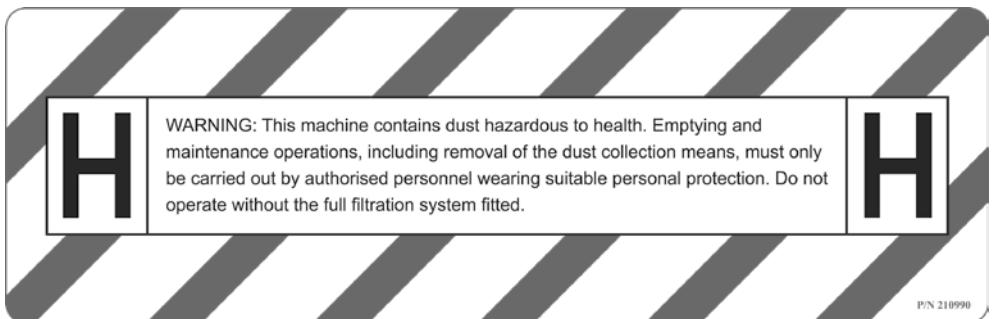
Operators should observe any safety regulations appropriate to materials being handled.

This machine is for dry use only.

PREPARATION FOR USE

Unpack and identify each item of equipment from the delivery note.

Check that the details given match the information on the "rating plate" mounted on the head assembly.



Installation / Removal / Disposal of the dust bag.

The dust bag holding the dust and debris must be removed and renewed by authorised personnel only, wearing appropriate personnel protective equipment, in a specified de-contamination area.

Never operate without the full filtration system in place.

Process of disposal:

Disconnect the hose, fit the Dust Cap on the Hose Flange, un-clip the bottom two Toggle Clamps.

Remove the cloth filter (A) in the Drum. Remove the dust bag from the Hose Flange inside the drum and seal the Dust Bag hole. Place the Dust Bag inside an impervious plastic bag and seal the bag.

Dispose of the plastic bag, depending on contamination, in an appropriate manner.

Fit a new Dust Bag over the Hose Flange inside the drum assembly. Fit the cloth filter (B), and the Head.

MAINTENANCE

All machine parts should be regarded as contaminated when removed from the hazardous area and appropriate action taken to prevent dust dispersal.

Disconnect from the power supply during cleaning, maintenance or when replacing parts.
Ensure the plug is removed from the Power socket outlet.

Maintenance must be carried out in a suitable non hazardous area with facilities for cleaning the area after servicing, and with suitable ventilation.
Maintenance and cleaning work must always be carried out by competent authorised personnel equipped with suitable personal protection.

The cloth filter must be taken out and checked for degree of contamination, and damage to cloth or seals. If the cloth seal is found to be damaged or badly contaminated, you must replace. If only mildly contaminated, either wipe clean or wash with a mild detergent (ensure it is dry before replacing).

Items that can not be satisfactorily cleaned (e.g. filters) need to be disposed of in an impervious plastic bag and disposed of in accordance with current regulations. Replace the items that cannot be satisfactorily cleaned using approved manufacturer parts.

Regularly examine the supply cord for damage, such as cracking or ageing. If damage is found, replace the cord before further use.

All parts of this vacuum are safety critical only replace with the genuine Numatic spare parts.

For user servicing, the machine must be dismantled, cleaned and serviced, as far as is reasonably practicable, without causing risk to maintenance staff and others.

Suitable precautions include decontamination before dismantling, provision for local filtered exhaust ventilation where the machine is dismantled, cleaning of the maintenance area and suitable personal protection.

In class H machines the outside of the machine should be decontaminated by vacuum cleaning methods and wiped clean or treated with a sealant before being taken out of the hazardous area and appropriate action taken to prevent dust dispersal. (HSE Risk Assessment needed).

A competent person shall perform a technical inspection at least annually, consisting of, for example, inspection of filters for damage, air tightness of the machine and proper function of the control mechanism.

Also the filtration efficiency should be tested at least annually, or more frequently as specified in national requirements. The test methods that can be used to verify the machine's filter efficiency are specified in EN 60335-2-69 Annex AA (AA22.201.2). If the test fails it should be repeated with a new essential filter.

Replacing HEPA Filters Process.

Remove the Head/Interceptor assembly and place in a safe area.

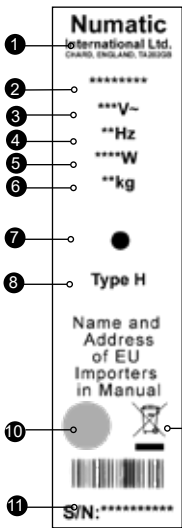
Unscrew the 4/6, M5 x 10 screws on the underside of the machine head/Interceptor which will expose the HEPA filter.

Remove the contaminated HEPA filter and place in a suitably impervious plastic bag and dispose of in accordance with current regulations.

Replace the HEPA filter with an identical approved part

Re-assemble the machine in reverse order. (Screw torque 2.5Nm).

During this process please look carefully at all seals between mating parts and check for any damage. If seals have been damaged, please contact the machine manufacturer to obtain an approved replacement part.



Produktplakette

| | |
|----|---|
| 1 | Name und Anschrift des Unternehmens |
| 2 | Modell |
| 3 | Spannung/ Wechselstrom |
| 4 | Frequenz |
| 5 | Nenneingangsleistung |
| 6 | Gewicht |
| 7 | Kontrollanzeige für niedrigen Luftdurchsatz *(falls zutreffend) |
| 8 | GefahrenEinstufung |
| 9 | WEEE-Logo |
| 10 | Zulassungszeichen |
| 11 | Herstellungsjahr/-woche-Seriennummer |

(DE) Angaben zum Gerät

Täglich
Halten sie das Gerät sauber, inklusive Schlauch und Rohren. Arbeiten Sie mit dem Gerät nur mit eingesetztem Filterbeutel und Motorschutzfilter.

Prüfen Sie, ob die Zuleitung Schäden aufweist. Überprüfen Sie regelmäßig den Füllstand des Filterbeutels und wechseln Sie ihn bei Bedarf. Überprüfen Sie regelmäßig, ob der Motorschutzfilter sauber ist und reinigen Sie ihn bei Bedarf.

Wöchentlich – wie täglich und:- Überprüfen Sie das Gerät nach abgenutzten oder beschädigten Teilen und ersetzen Sie diese umgehend.

WARTUNG

WEEE-Richtlinie

Staubsauger, Zubehör und Verpackung müssen getrennt entsorgt werden, um ein umweltfreundliches Recycling zu ermöglichen.



(Für EU-Länder gilt)

Entsorgen Sie Staubsauger nicht im Hausmüll! - gemäß EU-Richtlinie 2012/19/EU über die Entsorgung von Elektro- und Elektronikgeräten sowie deren Umsetzung in nationales Recht.

Staubsauger, die nicht mehr verwendet werden können, sind getrennt zu sammeln und zur umweltfreundlichen Entsorgung abzugeben.

In Deutschland sind das i.d.R. Sammelstellen beim örtlichen Entsorger.

| | | | | |
|--|-------------------|----------------------|-----------------------|--------------------------------------|
| PSA (Persönliche Schutzausrüstung) kann für bestimmte Verwendung des Geräts erforderlich sein | | | | |
| | | | | |
| Ohrschutz | Sicherheitsschuhe | Kopfschutz | Sicherheitshandschuhe | |
| | | | | Hinweisschild „Achtung Rutschgefahr“ |
| Augenschutz | Schutzkleidung | Staub-Allergieschutz | Warnjacke | |
| Hinweis: Eine Risikoauswertung ist vom Betreiber des Gerätes anhand der örtlichen Gegebenheiten vorzunehmen, um die erforderliche Schutzausrüstung festzulegen. | | | | |

Sicherheitsrelevante Bestandteile

Stromversorgung:

H05VV-F 10m x 3 Core x 1.0mm²

WARNHINWEIS

Lesen Sie die Anleitung vor Inbetriebnahme des Geräts gründlich durch.

Benutzer müssen gründlich in den Gebrauch dieser Geräte eingewiesen werden.

Um den sicheren Betrieb elektrischer Ausstattungen zu gewährleisten, müssen elektrische Geräte stets mit Sorgfalt und Obacht betrieben werden. Außerdem muss gewährleistet werden, dass die Geräte regelmäßig gewartet werden.

Die Unterlassung von Wartungsarbeiten (einschließlich des standardmäßigen Austausches von Ersatzteilen) kann dazu führen, dass dieses Gerät nicht sicher ist, was wiederum einen Haftungsausschluss des Herstellers zur Folge hätte.

Das Gerät ist ausschließlich als TROCKENSAUGER einzusetzen. Stellen Sie das Gerät nicht im Freien ab, und verwenden Sie es nicht in feuchten Umgebungen.

Bei Reinigung und Wartung, beim Ersetzen von Teilen oder beim Umschalten des Geräts auf eine andere Funktion muss das Gerät durch Ziehen des Netzsteckers von der Stromversorgung getrennt werden.

Dieses Gerät darf nicht von Kindern oder Personen mit eingeschränkten körperlichen, sensorischen oder geistigen Fähigkeiten oder fehlender Erfahrung bzw. unzureichendem Wissen benutzt werden.

Kinder müssen beaufsichtigt werden, um sicherzustellen, dass sie nicht mit dem Gerät spielen.

Das Gerät ist kein Spielzeug.

ACHTUNG

Vergewissern Sie sich, dass das an die Maschine angeschlossene Filtersystem für das aufzunehmende Material geeignet ist.

Das Gerät ist nur in Innenräumen zu verwenden.

Das Gerät darf nur in geschlossenen Räumen aufbewahrt werden.

HINWEISE

Das Gerät eignet sich für den gewerblichen Einsatz (z. B. in Hotels, Schulen, Krankenhäusern, Fabrikhallen, Läden, Büros).

Dieses Produkt entspricht den Anforderungen der Klausel 20 der Norm EN 60335-2-69 zur Stabilität bei mechanischen Gefährdungen.

WAS ZU BEACHTEN IST

- Halten Sie das Gerät sauber.
- Halten Sie die Filter sauber.
- Verwenden Sie Filterbeutel. Filterbeutel erhöhen die Leistung und halten die Maschine sauber.
- Verwenden Sie bei Feinstaub Einsatz originale Numatic-Filterbeutel.
- Halten Sie Schläuche und Rohre sauber.
- Ersetzen Sie abgenutzte oder beschädigte Teile unverzüglich.
- Untersuchen Sie regelmäßig das Stromkabel. Wenn Sie eine Beschädigung feststellen, wie z. B. einen Bruch oder Alterungserscheinungen, muss das Netzkabel durch eine qualifizierte Person ausgetauscht und durch das richtige Numatic-Originalteil ersetzt werden.
- Wechseln Sie häufig den Staubsaugerbeutel.
- Verwenden Sie ausschließlich die Bürsten, die im Lieferumfang der Maschine enthalten sind. Die Verwendung anderer Bürsten kann die Sicherheit beeinträchtigen.
- Ersetzen Sie das Netzkabel nur mit dem korrekten von Numatic genehmigten Ersatzteil.

WAS ZU UNTERLASSEN IST

- Verhindern Sie den Kontakt zwischen Rotationsbürste und Netzkabel (wenn Rotationsbürsten vorhanden sind).
- Ziehen Sie NICHT an dem Kabel, um den Netzstecker von der Steckdose zu trennen.
- Saugen Sie keine heiße Asche oder glimmenden Zigarettenstummel auf.
- Verwenden Sie zum Reinigen der Maschine keine Dampfstrahler oder Hochdruckreiniger und betreiben Sie die Maschine nicht im Regen.
- Tauchen Sie die Maschine nicht in Wasser ein.
- Führen Sie keine Wartungs- oder Reinigungsarbeiten am Gerät durch, wenn der Netzstecker noch in der Steckdose steckt.
- Auf keinen Fall dürfen irgendwelche Fremdkörper, wie beispielsweise Luffrfrischer, parfümierte Luftverbesserer oder Duftkügelchen jeder Art in das Oberteil des Geräts gelegt werden. Dies kann gefährlich sein und zur Beschädigung des Geräts führen, wodurch die Garantie erlöschen würde.

WICHTIGE BENUTZERINFORMATIONEN

Der Benutzer muss vor der Benutzung über die Verwendung des Geräts und über die aufnehmbaren Stoffe informiert, angewiesen und geschult werden, einschließlich der sicheren Entsorgung des aufgenommenen Materials.

Der Staubbehälter muss bei Bedarf und nach jeder Verwendung geleert werden.

Dieser Staubsauger verfügt über eine Lampe, die aufleuchtet und den erforderlichen Wechsel des Beutels anzeigt, wenn die Luftgeschwindigkeit unter einen voreingestellten Wert fällt.

Dieses Gerät eignet sich nicht für den Anschluss an Staub erzeugende Maschinen.

Alle Filter, einschließlich des Staubsaugerbeutels, müssen vor Inbetriebnahme der Maschine unbeschädigt sowie richtig positioniert sein.

VORSICHT: Dieses Gerät ist ausschließlich als Trockensauger einzusetzen. Stellen Sie das Gerät nicht im Freien ab, und verwenden Sie es nicht in feuchten Umgebungen.

Vergewissern Sie sich, dass keine glühende Asche oder anderen entzündlichen Materialien eingesaugt werden.

Ziehen Sie nicht am Stromkabel, um die Maschine zu bewegen.

WARNUNG:

1. Dieses Gerät darf nur durch entsprechend geschulte und befugte Mitarbeiter verwendet werden.
2. Am Gerät und an seinem Zubehör dürfen keine Änderungen vorgenommen werden.
3. Das Gerät darf nicht in einer feuchten Umgebung gelagert oder verwendet werden.
4. Das Füllvolumen des Staubsammelbeutels (NVM-2BH) darf die effektive Aufnahme des Staubsaugers nicht beeinträchtigen. (Die Lampe leuchtet bei einer voreingestellten Luftgeschwindigkeit von < 16 m/s auf.)
5. Verwenden Sie den Staubsammelbeutel (NVM-2BH) nur einmal.
6. Dieses Gerät darf nur durch entsprechend geschulte und befugte Mitarbeiter repariert werden.
7. Verwenden Sie für Reparaturen nur Original-Ersatzteile von Numatic International Ltd.
8. Dieses Gerät darf nicht als fest installiertes Absaugsystem oder unbeaufsichtigt betrieben werden.
9. Verwenden Sie keinesfalls das Hauptfilterelement wieder, nachdem es aus der Maschine entfernt wurde.

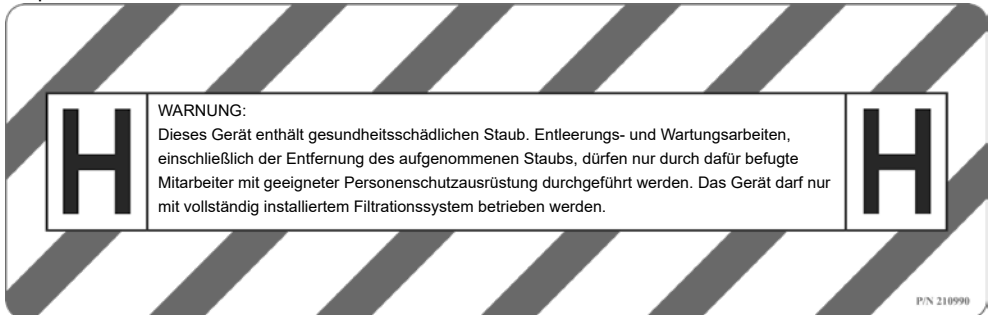
Die Benutzer müssen bezüglich der aufgenommenen Materialien alle Sicherheitsbestimmungen beachten.

Dieses Gerät ist ausschließlich als Trockensauger zu verwenden.

VORBEREITUNG AUF DIE VERWENDUNG

Packen Sie alle Teile aus und vergleichen Sie diese mit dem Lieferschein.

Vergewissern Sie sich, dass die angegebenen Daten den Angaben auf dem Typenschild der Baugruppe entsprechen.



Einlegen/Auswechseln/Entsorgen des Staubsaugerbeutels.

Der Staubsaugerbeutel, der Staub und Ablagerungen enthält, darf nur von geschultem Personal entfernt und ausgewechselt werden, das entsprechende Schutzkleidung in einer entsprechend dekontaminierten Umgebung trägt.

Das Gerät darf nicht ohne vollständig eingesetztes Filtersystem betrieben werden.

Entsorgungsverfahren:

Entfernen Sie den Schlauch, und bringen Sie die Staubkappe an den Schlauchflansch an, und entfernen Sie die unteren beiden Klammern.

Entfernen Sie den Gewebefilter (A) aus dem Behälter. Entfernen Sie den Staubbeutel vom Schlauchflansch im Behälter und dichten Sie die Staubbeutelöffnung ab. Legen Sie den Staubbeutel in eine dichte Kunststofftüte und verschließen Sie diese.

Entsorgen Sie den Plastikbeutel je nach Verschmutzung auf angemessene Weise.

Bringen Sie einen neuen Staubbeutel auf dem Schlauchflansch in der Behälterbaugruppe an.
Bringen Sie den Gewebefilter (B) und das Kopfteil an.

WARTUNG

Nach der Entfernung des Geräts aus dem Gefahrenbereich müssen alle Geräteteile als verschmutzt betrachtet und entsprechende Maßnahmen zur Verhinderung der Staubverteilung getroffen werden.

Trennen Sie das Gerät während der Reinigung, Wartung oder für den Austausch von Teilen von der Stromversorgung.

Stellen Sie sicher, dass der Stecker aus der Netzsteckdose entfernt wurde.

Wartungsarbeiten müssen in einem geeigneten, nicht gefährdeten Bereich durchgeführt werden, der über Einrichtungen für die Reinigung des Bereichs nach der Wartung und über eine geeignete Entlüftung verfügt.

Wartungs- und Reinigungsarbeiten müssen stets durch entsprechend befähigte und befugte Personen mit geeigneter Personenschutz-ausrüstung durchgeführt werden.

Der Tuchfilter muss entnommen und auf Verunreinigung des Tuchs und der Versiegelung überprüft werden.

Wenn die Tuchversiegelung beschädigt oder sehr verunreinigt ist, muss ein Austausch erfolgen.

Wischen Sie den Filter bei schwacher Verschmutzung sauber oder waschen Sie ihn mit einem milden Reinigungsmittel (Filter muss vor dem Einsetzen trocken sein).

Teile, die nicht zufriedenstellend gereinigt werden können (z. B. Filter), müssen in einer dichten Kunststofftüte gemäß den aktuellen Vorschriften entsorgt werden. Ersetzen Sie die Teile, die nicht zufriedenstellend gereinigt werden können, mit einem genehmigten Herstellerersatzteil.

Überprüfen Sie das Netzkabel regelmäßig auf Beschädigungen, wie z. B. Risse oder Abnutzungserscheinungen. Bei festgestellten Beschädigungen das Kabel ersetzen, bevor weitergearbeitet wird.

Alle Teile dieses Staubsaugers sind sicherheitskritisch und dürfen nur durch originale Numatic-Ersatzteile ausgetauscht werden.

Für die Wartung durch den Benutzer muss das Gerät, soweit angemessen durchführbar, demontiert, gereinigt und gewartet werden, ohne Wartungspersonal oder andere Personen zu gefährden.

Geeignete Sicherheitsvorkehrungen beinhalten die Dekontaminierung vor der Demontage, die Bereitstellung einer lokalen Filter-Entlüftungsanlage im Demontagebereich des Geräts, die Reinigung des Wartungsbereiches und geeignete Personenschutz-ausrüstung.

Bei Geräten der Klasse H muss die Geräteaußenseite mit einem Staubsauger dekontaminiert und dann sauber gewischt werden oder mit einem Dichtungsmittel behandelt werden, bevor das Gerät aus dem Gefahrenbereich gebracht wird. Es müssen geeignete Maßnahmen gegen die Verteilung von Staub getroffen werden. (HSE-Risikobeurteilung ist erforderlich)

Eine entsprechend befähigte Person muss mindestens jährlich eine technische Überprüfung durchführen, welche beispielsweise die Überprüfung der Filter auf Beschädigung, Luftdurchlässigkeit des Geräts und ordnungsgemäße Funktion des Steuermechanismus beinhalten muss.

Der Filterwirkungsgrad muss ebenfalls mindestens jährlich, oder häufiger entsprechend nationaler Vorschriften, überprüft werden. Die gängigen Testmethoden zur Überprüfung der Effizienz des Gerätefilters sind in EN 60335-2-69 Anhang AA (AA22.201.2) geregelt. Wenn der Test negativ ausfällt, muss er mit einem neuen Hauptfilter wiederholt werden.

Vorgehensweise zum Wechseln der HEPA-Filter

Entfernen Sie die Kopfbaugruppe/Abscheider Baugruppe und legen Sie sie in einem sicheren Bereich ab. Lösen Sie die 4/6 Schrauben (M5 x 10) an der Unterseite des Gerätekopfes/Abscheider Baugruppe.

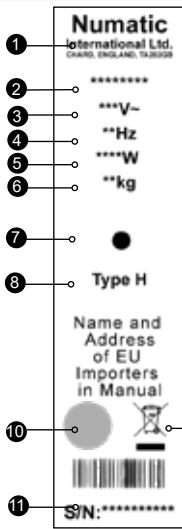
Hierdurch wird der HEPA-Filter freigelegt.

Nehmen Sie den verschmutzten HEPA-Filter heraus und legen Sie ihn in einen geeigneten, dichten Plastikbeutel, und entsorgen Sie ihn vorschriftsgemäß.

Tauschen Sie den HEPA-Filter mit einem identischen, genehmigten Ersatzteil aus.

Bauen Sie das Gerät in umgekehrter Reihenfolge wieder zusammen. (Schraubendrehmoment 2,5 Nm) Achten Sie während dieses Prozesses sorgfältig auf alle Dichtungen miteinander verbundener Teile und überprüfen Sie diese auf Beschädigungen.

Wenn Dichtungen beschädigt wurden, wenden Sie sich an den Gerätehersteller, um ein genehmigtes Ersatzteil zu erhalten.



Plaque signalétique

| | |
|----|--|
| 1 | Nom et adresse de la société |
| 2 | Modèle |
| 3 | Tension/Courant alternatif |
| 4 | Fréquence |
| 5 | Puissance d'entrée nominale |
| 6 | Poids |
| 7 | Indicateur de débit faible *(le cas échéant) |
| 8 | Classe de danger |
| 9 | Logo DEEE |
| 10 | Marque d'homologation |
| 11 | Numéro de série année/ semaine de la machine |

(FR) Sur la machine

Quotidiennement
 Maintenir l'appareil ainsi que les tubes, le flexible et les accessoires propres.
 S'assurer que le sac filtrant et le filtre soient bien en place. Contrôler l'état du cordon d'alimentation en permanence. Vérifier fréquemment l'état de remplissage du sac filtrant. Vérifier l'état de propreté des filtres.
 Toutes les semaines :-
 Vérifier qu'aucune pièce ne soit usée ou endommagée, dans le cas échéant, celle-ci doit être remplacée immédiatement.

ENTRETIEN

Législation WEEE (DEEE)

Les aspirateurs, accessoires et emballages répondent aux critères de recyclage et d'environnement.

Pour CEE seulement :

Ne pas jeter l'aspirateur comme déchet ménager.

En accord avec la directive 2012/19/EU du 27 janvier 2013 sur les déchets électriques et électroniques (Directive WEEE pour Waste Electrical and Electronic Equipment) et ses applications au niveau national, les aspirateurs en fin de vie doivent être collectés et récupérés par un organisme compétent en matière de gestion environnementale des déchets.



EPI (Equipement de Protection Individuel) Recommandés pour certaines applications :

| | | | | |
|------------------------|------------------------|---|---------------------------|---------------------------------|
| | | | | |
| Protections sonores | Chaussures de sécurité | Casque de protection | Gants de protection | |
| | | | | Panneau de signalisation au sol |
| Lunettes de protection | Vêtements de sécurité | Protection contre poussières / allergènes | Gilet de haute visibilité | |

Note :

Une évaluation des risques devra être menée pour définir les obligations d'utilisation des EPI.

Composants de sécurité critiques

Câble d'alimentation:

H05VV-F 10m x 3 Core x 1.0mm²

AVERTISSEMENT

Lire le mode d'emploi avant d'utiliser la machine.

Les opérateurs doivent apprendre à se servir correctement de ces machines avant de les utiliser. Comme pour tout équipement électrique, il convient d'être prudent et vigilant à tout instant lorsqu'on l'utilise, en plus de s'assurer que son entretien courant et préventif est bien effectué régulièrement pour qu'elle reste en bon état de fonctionnement.

Si l'entretien nécessaire n'est pas effectué et que l'on ne remplace pas les pièces à changer par des pièces à la bonne norme, l'équipement pourrait devenir dangereux et le fabricant ne pourra accepter aucune responsabilité à cet égard.

La machine est exclusivement conçue pour une UTILISATION À SEC et ne doit pas être rangée à l'extérieur ou utilisée dans un environnement humide.

Pendant les opérations de nettoyage ou d'entretien, lors du remplacement de pièces ou pendant la conversion de la machine pour lui donner une autre fonction, la machine doit être débranchée du secteur ; le câble d'alimentation de la machine doit donc être débranché de la prise de courant.

Cette machine ne doit pas être utilisée par des enfants ou des personnes aux capacités physiques, sensorielles ou mentales diminuées, ou qui manquent d'expérience et de compétence.

Les enfants doivent être surveillés pour s'assurer qu'ils ne jouent pas avec l'appareil.

Cette machine n'est pas un jouet.

ATTENTION

Vérifiez que le système de filtration installé sur la machine convient au type de matériau aspiré.

Cette machine est conçue pour un usage intérieur uniquement.

Cette machine doit impérativement être rangée à l'intérieur.

REMARQUES

Cette machine est prévue pour un usage commercial, par exemple pour les hôtels, les écoles, les hôpitaux, les usines, les magasins et les bureaux.

Ce produit est conforme aux exigences de la clause 20 de la norme EN 60335-2-69 relative à la stabilité et aux risques mécaniques.

À FAIRE

- Maintenez votre machine propre.
- Faites en sorte que les filtres restent propres.
- Utilisez des sacs-filtres. Ils amélioreront les performances et contribuent à préserver la propreté de la machine.
- Utilisez un sac-filtre Numatic d'origine pour les environnements de poussières fines.
- Assurez-vous que les tuyaux et tubes sont exempts de débris.
- Remplacez immédiatement toute pièce usée ou endommagée.
- Examinez régulièrement le câble d'alimentation. En cas de traces d'endommagement telles que des fissures ou une usure, le câble d'alimentation doit être remplacé par une personne compétente en utilisant la pièce Numatic d'origine appropriée.
- Changez régulièrement le sac à poussière.
- Utilisez uniquement les brosses fournies avec la machine. L'utilisation de brosses d'un autre type peut compromettre la sécurité.
- Remplacer le câble d'alimentation uniquement par la pièce de rechange correcte approuvée par Numatic.

À NE PAS FAIRE

- Laisser la brosse rotative entrer en contact avec le câble d'alimentation (le cas échéant).
- Tirer sur le câble pour débrancher la machine de la prise de courant.
- Utiliser la machine pour aspirer des cendres chaudes ou des mégots de cigarette allumés.
- Utiliser des nettoyeurs à vapeur ou haute pression pour nettoyer la machine ou utiliser cette dernière sous la pluie.
- Immerger la machine dans l'eau pour la nettoyer.
- Procéder à l'entretien ou au nettoyage de la machine tant qu'elle est branchée sur la prise de courant.
- Ne placez en aucun cas de corps étrangers, notamment des désodorisants, des capsules désodorisantes, ou des perles parfumées de quel que type que ce soit dans le filtre supérieur de la machine. Cela peut être dangereux, risque d'endommager la machine et peut invalider la garantie de l'appareil.

INFORMATIONS IMPORTANTES POUR L'UTILISATEUR

Avant toute utilisation, les opérateurs doivent recevoir des informations, des instructions et une formation sur l'utilisation de la machine et les substances pour lesquelles on peut l'utiliser, y compris sur la méthode à employer pour éliminer en toute sécurité les matériaux recueillis.

Le récipient à poussière doit être vidé lorsque cela est nécessaire, mais également après chaque utilisation.

Cet aspirateur est muni d'un voyant qui s'allume lorsque la vitesse de l'air descend au-dessous d'un niveau prédéfini, ce qui indique que le sac doit être remplacé.

Cette machine ne convient pas pour un branchement sur des machines produisant des poussières.

Tous les filtres, y compris le sac, doivent être intacts et se trouver dans une position correcte avant que cet appareil ne puisse être utilisé en toute sécurité.

ATTENTION :

Cette machine est conçue pour une utilisation à sec uniquement et ne doit pas être utilisée ou entreposée à l'extérieur dans des conditions humides.

Ne pas aspirer de braises ou de poussières incandescentes ni toute autre matière présentant un risque d'inflammation.

Ne pas utiliser le câble d'alimentation pour déplacer la machine.

AVERTISSEMENT :

1. Cette machine ne doit être utilisée que par du personnel dûment formé et autorisé.
2. Cette machine ou ses accessoires ne doivent pas être modifiés.
3. La machine ne doit pas être entreposée ou utilisée dans un environnement humide.
4. Ne pas laisser le sac à poussière (NVM-2BH) se remplir au point de réduire la capacité d'aspiration de l'appareil. (Un voyant s'allume à des niveaux prédéfinis de vitesse de l'air < 16 m/s).
5. N'utiliser le sac à poussière (NVM-2BH) qu'une seule fois.
6. Cette machine ne doit être réparée que par du personnel dûment formé et autorisé.
7. N'utiliser que des pièces Numatic International Ltd d'origine pour les réparations.
8. Cette machine ne doit pas être installée comme système d'extraction fixe ni être laissée sans surveillance pendant son fonctionnement.
9. Ne pas réutiliser l'élément filtrant essentiel après son retrait de la machine.

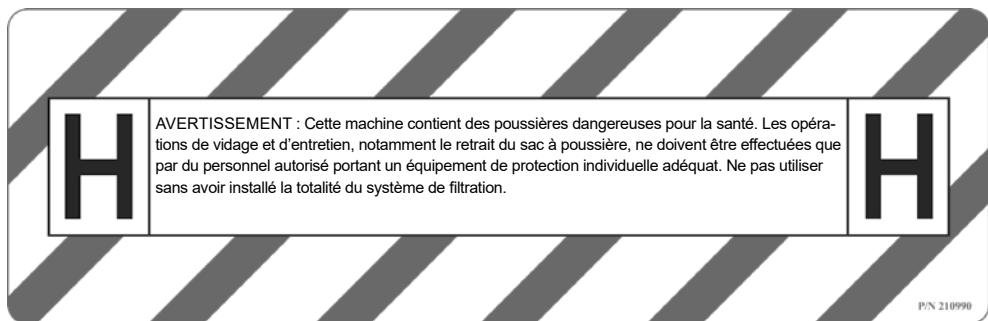
Les opérateurs doivent respecter toutes les réglementations de sécurité applicables aux matériaux concernés.

Cette machine est conçue pour une utilisation à sec uniquement.

PRÉPARATION POUR L'UTILISATION

Déballez et identifiez chaque élément du matériel d'après le bon de livraison.

Vérifiez que les détails fournis correspondent aux informations figurant sur la plaque signalétique montée sur le bloc moteur.



Installation / retrait / élimination du sac à poussière.

Le sac à poussière qui contient les poussières et les débris ne doit être retiré et remplacé que par du personnel autorisé portant un équipement de protection individuelle adéquat, dans une zone de décontamination spécifique.

Ne jamais utiliser la machine sans avoir mis en place la totalité du système de filtration.

Processus d'élimination :

Débranchez le tuyau, mettez en place le bouchon anti-poussière sur la collerette de branchement, détachez les deux pattes de fixation inférieures.

Retirez le filtre textile (A) situé dans la cuve. Retirez le sac à poussière de la collerette de branchement du tuyau à l'intérieur de la cuve et colmatez le trou du sac à poussière. Placez le sac à poussière à l'intérieur d'un sac en plastique étanche et scellez ce dernier.

Jetez le sac en plastique d'une façon appropriée selon la contamination.

Page 4

Placez un sac à poussière neuf sur la collerette de branchement du tuyau à l'intérieur de la cuve. Installez le filtre textile (A) et le bloc-moteur.

ENTRETIEN

Toutes les pièces de la machine doivent être considérées comme étant contaminées lorsqu'elles sont retirées de la zone dangereuse, et des mesures adéquates doivent être prises pour éviter la dispersion des poussières.

Débranchez la machine de l'alimentation électrique pendant le nettoyage et l'entretien ou lors du remplacement de pièces. Assurez-vous que la prise a été débranchée de la prise murale.

L'entretien doit être effectué dans une zone non dangereuse adéquate comportant des installations pour le nettoyage de la zone après le travail et avec une ventilation appropriée.

Le travail d'entretien et de nettoyage doit toujours être effectué par du personnel compétent autorisé muni d'un équipement de protection individuelle adéquat.

Le filtre textile doit être retiré et son niveau de contamination, ainsi que l'endommagement du textile ou des joints d'étanchéité, doivent être vérifiés.

En cas d'endommagement ou de forte contamination du joint d'étanchéité textile, vous devez le remplacer. S'il n'est que légèrement contaminé, essuyez-le ou lavez-le avec un détergent doux (assurez-vous qu'il est sec avant de le remettre en place).

Les éléments qui ne peuvent pas être nettoyés de façon satisfaisante (par exemple, des filtres) doivent être placés dans un sac en plastique étanche et jetés conformément aux réglementations en vigueur.

Remplacez les éléments qui ne peuvent pas être nettoyés de façon satisfaisante en utilisant des pièces agréées par le fabricant.

Examinez régulièrement le câble d'alimentation en vérifiant l'absence d'endommagement, comme des fissures ou une usure. S'il est endommagé, remplacez-le avant toute nouvelle utilisation.

Toutes les pièces de cet aspirateur sont d'une importance essentielle pour la sécurité ; ne les remplacez qu'avec des pièces Numatic d'origine.

Pour l'entretien effectué par l'utilisateur, la machine doit être démontée, nettoyée et entretenue dans la mesure où cela est possible dans la pratique sans poser de risque pour le personnel d'entretien ou d'autres personnes.

Les précautions appropriées comprennent la décontamination avant le démontage, la présence d'une ventilation d'extraction filtrée locale à l'endroit où la machine est démontée, le nettoyage de la zone d'entretien et des équipements de protection individuelle adéquats.

Dans les machines de classe H, l'extérieur de la machine doit être décontaminé par aspiration puis essuyé ou traité avec un agent d'étanchéité avant que la machine ne sorte de la zone dangereuse et des mesures appropriées doivent être prises pour éviter la dispersion des poussières. (Évaluation de risque HSE nécessaire).

Une personne qualifiée doit effectuer au moins une fois par an une inspection technique comprenant, par exemple, une inspection des filtres pour rechercher des signes d'endommagement, un contrôle de l'étanchéité de la machine et du fonctionnement correct du mécanisme de commande.

L'efficacité de la filtration doit également être testée au moins une fois par an, ou plus fréquemment si des exigences nationales l'imposent. Les méthodes d'essai qui peuvent être utilisées pour vérifier l'efficacité du filtre de la machine sont spécifiées dans la norme EN 60335-2-69 Annexe AA (AA22.201.2). En cas d'échec du test, il convient de le répéter avec un nouveau filtre essentiel.

Processus de remplacement des filtres HEPA.

Retirez le bloc-moteur/interception et placez-le en lieu sûr.

Dévissez les 4/6 vis M5 x 10 situées sur la face inférieure du bloc-moteur/interception pour exposer le filtre HEPA.

Retirez le filtre HEPA contaminé et placez-le dans un sac en plastique étanche adéquat, puis jetez ce dernier en respectant la réglementation en vigueur.

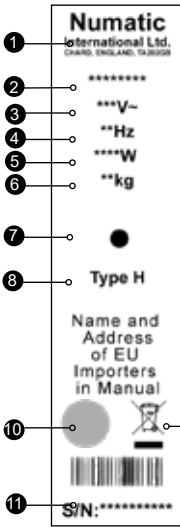
Remplacez le filtre HEPA par une pièce identique agréée.

Remontez la machine dans l'ordre inverse. (Couple de serrage des vis 2,5 Nm).

Pendant ce processus, examinez soigneusement tous les joints d'étanchéité situés entre des pièces en correspondance et vérifiez l'absence d'endommagement.

Si des joints ont été endommagés, veuillez contacter le fabricant de la machine pour obtenir une pièce de rechange agréée.

(NL) Over de machine



Type plaatje

| | |
|----|---|
| 1 | Naam en adres bedrijf |
| 2 | Model |
| 3 | Voltage / wisselstroom |
| 4 | Frequentie |
| 5 | Nominaal ingangsvermogen |
| 6 | Gewicht |
| 7 | Indicator verminderde zuigkracht *(Indien van toepassing) |
| 8 | Gevaarlijke classificatie |
| 9 | WEEE-logo |
| 10 | Keurmerk |
| 11 | Jaar/week-serienummer machine |

Dagelijks

Houd de machine schoon, ook de slangen en buizen
Kijk na of de stofzak en het filter goed geplaatst zijn
Onderzoek het netsnoer regelmatig
Controleer regelmatig de stofzak
Controleer of de filters schoon zijn

Wekelijks – hetzelfde als dagelijks en –

Controleer of er versleten of beschadigde onderdelen zijn en zo ja, vervang deze onmiddellijk

ONDERHOUD

WEEE wetgeving

Stofzuiger, accessoires en verpakking dienen te worden gescheiden voor milieuvriendelijke verwerking

Alleen geldig voor EU landen:

U mag de stofzuiger, volgens de Europese Richtlijn 2012/19/EU met betrekking tot het weggooien van elektrisch en elektronische apparatuur en zoals opgenomen in de Nederlandse wetgeving, niet met het huishoudelijk afval weggooien.

Stofzuigers die niet meer geschikt zijn om te gebruiken dienen te worden verzameld en aangeboden voor milieuvriendelijke verwerking.



PERSOONLIJKE BESCHERMING die vereist kan zijn bij het uitvoeren van bepaalde werkzaamheden

| | | | | |
|--------------------|----------------------|-----------------|-------------------------|------------------------|
| | | | | |
| Gehoorsbescherming | Veiligheidsschoeisel | Veiligheidshelm | Veiligheidshandschoenen | |
| | | | | Waarschuingsvloer-bord |
| Oogbescherming | Beschermende kleding | Adembescherming | Reflecterende jas | |

LET OP:

Een risico-inventarisatie dient te worden uitgevoerd teneinde te bepalen welke bescherming moet worden gebruikt.

Belangrijke veiligheidscomponenten

Snoer:

H05VV-F 10m x 3 Core x 1.0mm²

WAARSCHUWING

Lees voor gebruik van deze machine eerst de gebruiksaanwijzing.

Gebruikers dienen goed geïnstrueerd te worden voordat ze dit soort machine bedienen.

Zoals bij alle elektrische apparatuur dient tijdens gebruik steeds de nodige zorgvuldigheid in acht te worden genomen en bovendien dient periodiek en preventief onderhoud te worden uitgevoerd om de veiligheid van de machine te kunnen garanderen.

Als noodzakelijk onderhoud niet naar behoren wordt uitgevoerd, hetgeen onder meer het vervangen van onderdelen door inferieure onderdelen kan omvatten, kan de machine onveilig worden.

De fabrikant kan hiervoor echter niet aansprakelijk worden gesteld.

Dit apparaat is uitsluitend bestemd voor DROOG GEBRUIK en dient niet buiten of in een vochtige/natte omgeving te worden opgeslagen c.q. gebruikt.

Tijdens reiniging of onderhoud en bij het vervangen van onderdelen of het aanpassen aan een andere functie dient de stekker van het apparaat uit het stopcontact te worden getrokken zodat dit niet op het stroomnet is aangesloten.

Deze machine mag niet worden gebruikt door kinderen of personen met beperkte lichamelijke, zintuiglijke of mentale vaardigheden of personen zonder ervaring of kennis.

Er moet goed op worden toegezien dat kinderen niet met de stofzuiger gaan spelen.

Deze machine is geen speelgoed.

ATTENTIE

Controleer of het geïnstalleerde filtersysteem van de machine geschikt is voor het op te zuigen materiaal.

Dit apparaat is uitsluitend voor gebruik binnen bestemd.

Dit apparaat dient uitsluitend binnen te worden opgeslagen.

OPMERKINGEN

Deze machine is ook geschikt voor commercieel gebruik, bijvoorbeeld in hotels, scholen, ziekenhuizen, fabrieken, winkels en kantoren.

Dit product voldoet aan de eisen van artikel 20 van EN 60335-2-69 inzake stabiliteit en mechanische risico's.

WAT U WEL MOET DOEN

- Houd de machine schoon.
- Zorg ervoor dat de filters schoon zijn.
- Gebruik filterzakken, hierdoor presteert de stofzuiger beter en blijft deze langer schoon.
- Gebruik een originele filterzak van Numatic voor het opzuigen van fijn stof.
- Houd de buizen en slangen schoon en vrij van verstopping.
- Vervang versleten of beschadigde onderdelen meteen.
- Controleer regelmatig de stroomkabel. Als de stroomkabel beschadigd blijkt te zijn en bijvoorbeeld barsten vertoont of versleten is, dient deze door een gekwalificeerde monteur te worden vervangen door een originele stroomkabel van Numatic.
- Vervang de stofzak regelmatig.
- Gebruik alleen de meegeleverde borstels. Het gebruik van andere borstels kan onveilig zijn.
- Vervang de stroomkabel alleen door het juiste, door Numatic goedgekeurde vervangende onderdeel.

WAT U NIET MOET DOEN

- Laat de roterende borstel niet in contact komen met de stroomkabel (wanneer roterende borstels zijn gemonteerd).
- Verwijder de stroomkabel nooit door eraan te trekken.
- Gebruik de machine niet om hete as of gloeiende peuken op te zuigen.
- Gebruik geen stoom- of hogedrukreiniger om de machine schoon te maken en gebruik de machine niet in de regen.
- Dompel de machine niet onder in water om deze te reinigen.
- Pleeg nooit onderhoud aan de machine of reinig de machine nooit terwijl de stekker in het stopcontact steekt.
- In geen geval vreemde objecten, waaronder (maar niet beperkt tot) luchtverfrissers, capsules voor luchtverfrissers of geparfumeerde kralen, in de bovenfilter van de machine plaatsen. Dit kan gevaarlijk zijn en kan mogelijk de machine beschadigen. Ook zou de garantie kunnen vervallen.

BELANGRIJKE INFORMATIE VOOR DE GEBRUIKER

Vóór gebruik moet gebruikers informatie, instructie en training aangeboden worden voor het gebruik van de stofzuiger en de stoffen waarvoor deze moet worden gebruikt, inclusief de veilige methode van afvalverwerking van opgezogen materiaal.

De stofhouder moet worden geleegd wanneer dat nodig is, maar ook na ieder gebruik.

Deze stofzuiger heeft een lampje dat gaat branden als de zuigkracht onder een vooraf bepaald niveau daalt, hetgeen aangeeft dat de zak moet worden vervangen.

Deze stofzuiger is niet geschikt om te worden aangesloten op apparaten die stof veroorzaken.

Dit apparaat kan alleen veilig worden gebruikt als alle filters en ook de zak onbeschadigd zijn en juist zijn geplaatst.

ATTENTIE: Deze stofzuiger is alleen bedoeld voor droog gebruik en mag niet buiten in een natte omgeving worden gebruikt of opgeslagen.

Zuig geen gloeiende as of stof of andere risicovolle, brandbare materialen op.

Verplaats het apparaat niet door aan de stroomkabel te trekken.

WAARSCHUWING:

1. Dit apparaat mag alleen worden bediend door personeel dat bevoegd is en voldoende opgeleid.
2. De stofzuiger en de bijbehorende accessoires mogen niet worden gemodificeerd.
3. De stofzuiger mag niet in een natte omgeving worden opgeslagen of gebruikt.
4. Laat de stofzak (NVM-2BH) niet zo vol worden dat de zuigkracht van de stofzuiger zodanig afneemt dat geen vuil meer kan worden opgezogen. (Lampje gaat branden bij vooraf ingestelde snelheid van de luchtstroom < 16 m/s).
5. Gebruik de stofzak (NVM-2BH) slechts één keer.
6. Deze stofzuiger mag alleen worden gerepareerd door personeel dat bevoegd is en voldoende opgeleid.
7. Gebruik voor reparaties alleen originele onderdelen van Numatic International Ltd.
8. Deze stofzuiger mag niet als vast afzuigstelsel worden geïnstalleerd of onbeheerd in werking zijn.
9. Gebruik het essentiële filterelement niet opnieuw nadat het uit de stofzuiger is verwijderd.

Gebruikers moeten zich aan alle veiligheidsvoorschriften houden die gelden voor de materialen waarmee wordt gewerkt.

Deze stofzuiger is uitsluitend bestemd voor het opzuigen van droge materialen.

VOORBEREIDING VOOR GEBRUIK

Pak de verschillende onderdelen van de stofzuiger uit en controleer met de afleveringsbon of de stofzuiger compleet is.

Controleer of de verstrekte gegevens overeenkomen met de informatie op het "typeplaatje", dat op het motorbloksamenstel is gemonteerd.



Stofzak aanbrengen / verwijderen / afvoeren

Het verwijderen en vervangen van een met stof en vuil gevulde stofzak mag alleen in een daartoe voorziene ruimte worden uitgevoerd door bevoegd personeel dat de juiste persoonlijke beschermingsmiddelen draagt.

Gebruik de stofzuiger nooit zonder dat het volledige filtratiesysteem is geplaatst.

Afvalverwerkingsprocedure:

Verwijder de slang, doe de beschermdop op de slangaansluiting en maak de onderste twee klemmen los.

Verwijder het doekfilter (A) uit de stofbak. Maak de stofzak los van de slangaansluiting binnenin de stofbak en sluit de opening van de stofzak. Doe de stofzak in een niet doorlatende plastic zak en maak de zak dicht.

Voer de plastic zak op een geschikte wijze af, afhankelijk van de aard van de verontreiniging.

Pagina 4

Plaats een nieuwe stofzak over de slangaansluiting binnenin de stofbak. Verwijder het doekfilter (B) en het motorbloksamenstel.

ONDERHOUD

Alle onderdelen van de stofzuiger moeten als verontreinigd worden beschouwd als de stofzuiger in een gevarenzone is gebruikt en er dienen geschikte maatregelen te worden genomen om verspreiding van stof te voorkomen.

Trek de stekker uit het stopcontact wanneer u de stofzuiger reinigt of controleert of als u onderdelen vervangt.

Controleer of de stekker uit het stopcontact is gehaald.

Onderhoud moet worden uitgevoerd in een geschikte, goed geventileerde en gevarenvrije ruimte met voorzieningen om de ruimte na het onderhoud te reinigen.

Onderhouds- en reinigingswerkzaamheden moeten altijd worden uitgevoerd door bekwaam en bevoegd personeel dat geschikte persoonlijke beschermingsmiddelen draagt.

Het doekfilter moet worden verwijderd en gecontroleerd op de mate van contaminatie en op beschadiging van het doek of de afdichtingen.

Als blijkt dat het doekfilter beschadigd is of ernstig gecontamineerd, moet u het vervangen. Als het slechts licht verontreinigd is, kunt u het schoonvegen of wassen met een mild schoonmaakmiddel (let erop dat het droog is voordat u het terugplaatst).

Onderdelen die niet goed genoeg kunnen worden gereinigd (bijv. filters) moeten worden weggegooid in een ondoorlatende plastic zak en volgens de geldende voorschriften worden afgevoerd met het afval.

Vervang de onderdelen die niet voldoende goed kunnen worden gereinigd door onderdelen die door de fabrikant zijn goedgekeurd.

Onderzoek de stroomkabel regelmatig op beschadigingen, zoals scheuren of verouderingsverschijnselen. Vervang de kabel als deze beschadigd is voordat u de machine opnieuw gebruikt.

Alle onderdelen van deze stofzuiger zijn van essentieel belang voor het veilig functioneren van dit apparaat en mogen daarom alleen door originele Numatic-reserveonderdelen worden vervangen.

Indien onderhoud door de gebruiker wordt uitgevoerd, moet de stofzuiger worden gedemonteerd, gereinigd en nagezien, voor zover praktisch mogelijk is, zonder dat risico ontstaat voor onderhoudspersoneel of anderen.

Geschikte voorzorgsmaatregelen zijn onder andere reiniging vóór demontage, het voorzien van een lokale filterinstallatie op de plaats waar de machine wordt gedemonteerd, reiniging van de onderhoudsruimte en geschikte persoonlijke beschermingsmiddelen.

Bij apparaten van de H-klasse moet de buitenzijde worden gereinigd door deze met een stofzuiger schoon te maken, en worden schoongeveegd en behandeld met een afdichtmiddel voordat de stofzuiger uit de gevarenzone wordt gehaald en moeten de juiste maatregelen worden genomen om verspreiding van stof te voorkomen. (VGM-risicoboordeling noodzakelijk).

Ten minste één keer per jaar dient een vakbekwaam persoon een technische inspectie uit te voeren die bestaat uit bijvoorbeeld: controle van filters op beschadiging, van luchtdichtheid van de stofzuiger en van de juiste werking van het bedieningsmechanisme.

Ook de effectiviteit van de filtratie moet ten minste één keer per jaar worden getest of vaker als de nationaal geldende voorschriften dit voorschrijven. De testmethoden die kunnen worden gebruikt voor het controleren van de effectiviteit van de filters zijn vastgelegd in IEC 60335-2-69 bijlage AA (AA22.201.2). Als de stofzuiger de test niet haalt, moet deze worden herhaald met een nieuw essentieel filter.

Procedure voor het vervangen van de HEPA-filters.

Verwijder het motorbloksamenstel/ opvangsamenstel en leg dit op een veilige plek.

Schroef de 4/6 schroeven (M5 x 10) aan de onderzijde van het motorbloksamenstel/ opvangsamenstel los, zodat u bij het HEPA-filter kunt.

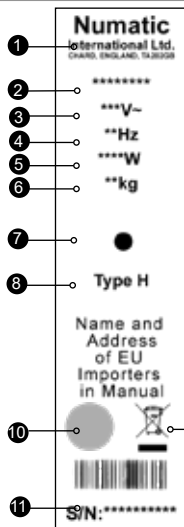
Verwijder het verontreinigde HEPA-filter, doe het in een geschikte ondoorlatende plastic zak en voer het volgens de geldende voorschriften als afval af.

Vervang het HEPA-filter door een identiek, goedgekeurd onderdeel.

Zet de stofzuiger weer in elkaar en ga daarbij in omgekeerde volgorde te werk. (Aanhaalmoment schroeven 2,5Nm).

Controleer tijdens deze procedure zorgvuldig alle afdichtingen tussen samenpassende onderdelen en let op eventuele beschadigingen.

Als afdichtingen beschadigd zijn, neem dan contact op met de fabrikant van de stofzuiger en bestel een goedgekeurd vervangend onderdeel.



Etiqueta energética

| | |
|----|---|
| 1 | Nome e endereço da empresa |
| 2 | Modelo |
| 3 | Tensão / Corrente alternada |
| 4 | Frequência |
| 5 | Potência nominal |
| 6 | Peso (pronto a utilizar) |
| 7 | Indicador de baixo fluxo *(Se aplicável) |
| 8 | Classificação de risco |
| 9 | Símbolo WEEE |
| 10 | Marca de aprovação |
| 11 | Ano/semana/ Número de série da máquina |

(PT) Acerca da máquina

Diariamente

Mantenha a máquina limpa, incluindo os tubos flexíveis e os tubos.
 Certifique-se de que o saco e o filtro estão instalados.
 Inspeccione o cabo de alimentação com regularidade.
 Inspeccione o saco de pó com frequência.
 Verifique se os filtros estão limpos.

Semanalmente - como diariamente e:

Verifique se há peças desgastadas ou danificadas e substitua-as imediatamente.

MANUTENÇÃO

Legislação REEE

Os acessórios e a embalagem do aspirador devem ser separados para reciclagem. (Apenas para países da UE)

Não eliminar o aspirador junto com os resíduos domésticos! Em conformidade com a Directiva Europeia 2012/19/EU relativa a Resíduos de Equipamentos Eléctricos e Electrónicos e respectiva incorporação na legislação nacional.

Os aspiradores que já não sejam adequados para utilização devem ser recolhidos em separado e enviados para recuperação de forma adequada em termos ambientais.



EPI (Equipamento de Protecção Individual) que pode ser necessário para realizar certas operações).

| | | | | |
|------------------------|------------------------|--------------------------------------|--------------------|---------------------------------------|
| | | | | |
| Protecções auriculares | Calçado de segurança | Capacete | Luvas de segurança | |
| | | | | Sinal de atenção para colocar no piso |
| Óculos de protecção | Vestuário de protecção | Protecção contra poeiras/ alergénios | Colete reflector | |

Nota* Deve realizar-se uma avaliação dos riscos para determinar o tipo de EPI a usar

Componentes críticos de segurança

Cabo de alimentação:

H05VV-F 10m x 3 Core x 1.0mm²

(PT) Informação relativa a aspiradores de utilização EM SECO

ADVERTÊNCIA!

Leia o manual de instruções antes de utilizar a máquina.

Os operadores devem receber formação adequada relativa à utilização destas máquinas.

Tal como acontece com qualquer equipamento elétrico, deve ter-se sempre especial cuidado e atenção durante a utilização, assim como se deve assegurar a execução de operações periódicas de manutenção de rotina e prevenção para garantir um funcionamento seguro.

Se a manutenção não for realizada quando necessário, incluindo se as peças não forem substituídas por outras da especificação certa, a segurança do equipamento pode ficar comprometida e o fabricante poderá não aceitar qualquer responsabilidade por esse facto.

Esta máquina é apenas para UTILIZAÇÃO EM SECO e não deve ser utilizada ou guardada no exterior ou em condições com humidade.

A máquina deve ser desligada da alimentação elétrica retirando a ficha da tomada durante operações de limpeza ou manutenção e quando se substituir peças ou se converter a máquina para outra função.

Esta máquina não deve ser utilizada por crianças ou indivíduos com capacidades físicas, sensoriais ou mentais reduzidas, ou com falta de experiência ou conhecimentos.

As crianças devem ser vigiadas para assegurar que não brincam com a máquina.

A máquina não é um brinquedo.

CUIDADO

Deve assegurar-se de que o sistema de filtragem instalado na máquina é adequado para o material a recolher.

Esta máquina destina-se exclusivamente a utilização em interiores.

Esta máquina deve ser armazenada apenas em espaços interiores.

NOTAS

Esta máquina destina-se à utilização comercial como, por exemplo, em hotéis, escolas, hospitais, fábricas, lojas e escritórios.

Este produto está em conformidade com os requisitos da cláusula 20 da norma EN 60335-2-69 – Estabilidade e riscos mecânicos.

DEVE

- Manter a máquina limpa.
- Manter os filtros limpos.
- Utilizar sacos de filtro, pois melhorarão o desempenho e ajudarão a manter a máquina limpa.
- Utilizar um saco de filtro Numatic original em condições de poeiras finas.
- Manter os tubos flexíveis e rígidos desobstruídos.
- Substituir imediatamente as peças desgastadas ou danificadas.
- Inspeccionar o cabo de alimentação com regularidade. Caso identifique danos, tais como fissuras ou envelhecimento no cabo de alimentação, este deve ser substituído por um técnico qualificado utilizando a peça Numatic original apropriada.
- Substituir o saco de pó com frequência.
- Utilizar apenas as escovas fornecidas com o aparelho. A utilização de outras escovas pode comprometer a segurança.
- Substituir o cabo de alimentação apenas pela peça de substituição aprovada pela Numatic.

NÃO DEVE

- Permitir que o cabo de alimentação entre em contacto com as escovas em rotação (sempre que as escovas em rotação estejam colocadas).
- Puxar o cabo para desligar a máquina da fonte de alimentação.
- Utilizar o aparelho para aspirar cinzas quentes ou pontas de cigarros acesas.
- Utilizar equipamentos de limpeza a vapor, aparelhos de lavagem a pressão para limpar a máquina ou usá-la à chuva.
- Mergulhar em água para limpar.
- Tentar proceder à manutenção ou limpeza da máquina sem que tenha retirado a ficha da tomada de alimentação.
- Em nenhuma circunstância deverá colocar objetos estranhos, incluindo (entre outros) ambientadores, cápsulas ambientadoras ou pérolas perfumadas de qualquer tipo, no filtro superior da máquina.
- Isto pode ser perigoso e danificar a máquina e pode invalidar a garantia da mesma.

INFORMAÇÕES IMPORTANTES PARA O UTILIZADOR

Antes de utilizarem a máquina, os operadores devem receber as informações, instruções e formação relativas à utilização da máquina e às substâncias para as quais é utilizada, incluindo o método seguro de eliminação do material recolhido.

O recipiente de pó deve ser esvaziado após cada utilização e sempre que necessário.

Este aspirador possui uma lâmpada que se acende sempre que a velocidade do ar desce abaixo de um nível predefinido, o que indica que o saco deve ser substituído.

Esta máquina não é adequada para ligação a máquinas geradoras de pó.

Todos os filtros, incluindo o saco, deverão estar isentos de danos e na posição correta antes de a máquina poder ser utilizada com segurança.

CUIDADO: Esta máquina é apenas para utilização em seco e não deve ser utilizada ou guardada no exterior ou em condições com humidade.

Não recolher brasas ou pó incandescente ou qualquer outro material que apresente risco de ignição.

Não utilizar o cabo de alimentação para deslocar a máquina.

ADVERTÊNCIA:

1. Esta máquina apenas deve ser operada por pessoal autorizado e devidamente formado.
2. Esta máquina ou os respetivos acessórios não devem ser modificados.
3. Esta máquina não pode ser guardada no exterior nem utilizada em ambientes húmidos.
4. Não deixe que o saco de recolha de pó (NVM-2BH) fique tão cheio que reduza a eficácia de recolha do aspirador. (A lâmpada acende-se aos níveis de velocidade predefinidos < 16 m/s.)
5. Utilize o saco de recolha de pó (NVM-2BH) apenas uma vez.
6. Esta máquina apenas deve ser reparada por pessoal autorizado e devidamente formado.
7. Utilize apenas peças sobresselentes genuínas da Numatic nas reparações.
8. Esta máquina não deve ser instalada como um sistema de extração fixo ou funcionar sem supervisão.
9. Não reutilize o elemento filtrante depois de o retirar da máquina.

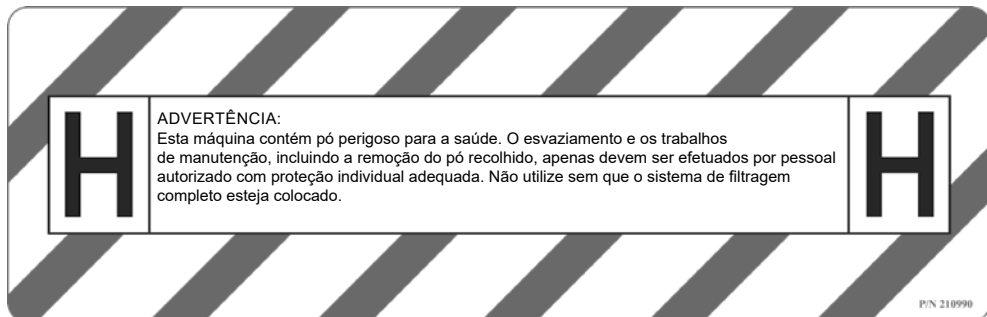
Os operadores deverão cumprir todos os regulamentos de segurança aplicáveis aos materiais manuseados.

Esta máquina destina-se exclusivamente a utilização em seco.

PREPARAÇÃO PARA A UTILIZAÇÃO

Desembale e identifique cada item de equipamento da nota de entrega.

Verifique se os dados correspondem às informações da placa de características na cabeça do aparelho.



Instalação / Remoção / Eliminação do saco de pó.

O saco de pó com o pó e os resíduos deverá ser removido e substituído apenas por pessoal autorizado com equipamento de proteção individual adequado, numa área de descontaminação especificada.

Nunca utilize sem que o sistema de filtragem completo esteja colocado.

Processo de eliminação:

Desligue o tubo, coloque a tampa de pó na flange do tubo, desprenda os dois grampos inferiores.

Remova o filtro de pano (A) do tambor. Remova o saco de pó da flange da mangueira no interior do tambor e sele o saco. Coloque o saco de pó dentro de um saco de plástico impermeável e sele o saco.

Elimine o saco de plástico, consoante a contaminação, de forma adequada.

Coloque um novo saco de pó na flange da mangueira dentro do tambor. Coloque o filtro de pano (B) e a cabeça.

MANUTENÇÃO

Todas as peças da máquina devem ser consideradas contaminadas quando removidas da área de risco, devendo ser tomadas ações adequadas para prevenir a dispersão do pó.

Desligue da alimentação durante a limpeza, manutenção ou para substituir peças.

Certifique-se de que desligou a ficha da tomada de alimentação.

A manutenção deve ser efetuada numa área não perigosa e adequada, dotada de instalações para a limpeza da área após a manutenção, e com ventilação adequada.

Os trabalhos de limpeza e manutenção devem ser sempre efetuados por pessoal autorizado equipado com proteção individual adequada.

O filtro de pano deve ser retirado e verificado quanto ao grau de contaminação e aos danos ao pano e às vedações.

Se a vedação do pano estiver danificada ou muito contaminada, deverá ser substituída. Se apenas estiver ligeiramente contaminada, esfregue-a ou lave-a com um detergente suave (assegure-se de que está seca antes de a substituir).

Os itens que não podem ser limpos de forma satisfatória (por exemplo, filtros) devem ser eliminados num saco de plástico impermeável em conformidade com regulamentos atuais. Substitua os itens que não podem ser limpos de forma satisfatória por peças aprovadas do fabricante.

Examine regularmente o cabo de alimentação relativamente a danos, tais como fendas ou envelhecimento. Se detetar danos, substitua o cabo antes de voltar a utilizar.

Todas as peças deste aspirador são críticas em termos de segurança e apenas devem ser substituídas por peças sobresselentes genuínas da Numatic.

Para efetuar a manutenção, a máquina deve ser desmontada, limpa e objeto de manutenção, tanto quanto razoavelmente praticável sem riscos para os funcionários de manutenção e outras pessoas.

As medidas de precaução adequadas incluem a descontaminação antes do desmantelamento, ventilação por exaustão local com filtro no local em que a máquina é desmantelada, limpeza da área de manutenção e proteção individual adequada.

No caso das máquinas de classe H, o exterior das máquinas deve ser descontaminado por métodos de limpeza por vácuo e limpo ou tratado com um vedante antes de ser retirado da área perigosa, devendo ser tomadas ações adequadas para prevenir a dispersão do pó. (Necessária avaliação de riscos de segurança e saúde.)

Pelo menos anualmente deverá ser efetuada uma inspeção técnica por uma pessoa competente, que deverá consistir, por exemplo, na verificação dos filtros quanto a danos, estanqueidade da máquina e funcionamento correto do mecanismo de controlo.

Também a eficácia da filtragem deverá ser igualmente testada, pelo menos, anualmente, ou com maior frequência, conforme especificado nos requisitos nacionais. Os métodos de teste que podem ser utilizados para verificar a eficiência de filtragem da máquina encontram-se especificados em EN 60335-2-69 Anexo AA (AA22.201.2). Se o teste não for satisfatório, deverá ser repetido com um filtro novo.

Processo de substituição dos filtros HEPA.

Remova a cabeça/ Interceptor e coloque-a numa área segura.

Desaparafuse os parafusos 4/6, M5 x 10 na parte inferior da cabeça/ Interceptor da máquina para expor o filtro HEPA.

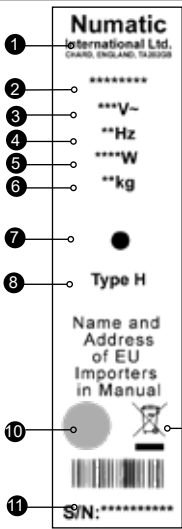
Remova o filtro HEPA contaminado, coloque-o num saco de plástico impermeável adequado e elimine-o em conformidade com os regulamentos atuais.

Substitua o filtro HEPA por uma peça aprovada idêntica.

Volte a montar o filtro na máquina por ordem inversa. (Binário de aperto 2,5 Nm).

Durante este processo, observe atentamente todas as vedações entre as peças para verificar se existe algum dano.

Se as vedações estiverem danificadas, contacte o fabricante da máquina para obter uma peça sobresselente aprovada.



Targhetta caratteristiche

| | |
|----|--|
| 1 | Ragione sociale e indirizzo azienda |
| 2 | Modello |
| 3 | Tensione / Alternata corrente |
| 4 | Frequenza |
| 5 | Potenza nominale |
| 6 | Peso (apparecchio pronto per l'uso) |
| 7 | Indicatore di flusso basso *(se applicabile) |
| 8 | Valori pericolo |
| 9 | Logo RAEE |
| 10 | Marchio CE |
| 11 | Numero di serie anno/settimana |

(IT) Caratteristiche apparecchio

Ogni giorno

L'apparecchio, i flessibili e i tubi devono essere sempre puliti.

Montare il sacchetto e il filtro.

Esaminare regolarmente il cavo di alimentazione.

Controllare spesso che il sacchetto sia integro.

Verificare il grado di intasamento dei filtri.

Verificare il grado di intasamento dei filtri.

Ogni settimana, come ogni giorno e:

Verificare l'eventuale presenza di componenti usurati o danneggiati e sostituirli senza esitazioni.

MANUTENZIONE

Norme WEEE

L'aspirapolvere, gli accessori e gli imballaggi devono essere smaltiti in conformità delle norme in vigore sul riciclaggio.

(Solo per i Paesi UE)

Non smaltire l'aspirapolvere con i rifiuti domestici. In conformità della direttiva europea 2012/19/EU sui rifiuti di apparecchiature elettriche ed elettroniche e relativo recepimento nelle norme di legge nazionali.

Gli apparecchi di scarto devono essere accantonati e predisposti per il riciclaggio in modo responsabile.



DPI (dispositivi di protezione individuale) che potrebbero essere richiesti per talune operazioni.

| | | | | |
|--------------------------|-------------------------|-------------------------------------|------------------------------|--|
| | | | | |
| Protezione dell'udito | Calzature di sicurezza | Protezione della testa | Guanti di sicurezza | |
| | | | | |
| Protezione per gli occhi | Indumenti di protezione | Protezione contro polvere/allergeni | Giubbotto ad alta visibilità | |

Nota* Un'apposita valutazione dei rischi deve stabilire i DPI che devono essere utilizzati.

Componenti critici per la sicurezza

Cavo di alimentazione da rete: H05VV-F 10m x 3 Core x 1.0mm²

PERICOLO!

Prima di utilizzare l'apparecchio, leggere il manuale di istruzioni.

Gli operatori devono essere adeguatamente addestrati al corretto utilizzo degli apparecchi.

Come per tutti gli apparecchi elettrici, durante l'uso è necessario prestare in ogni momento la massima cura e attenzione oltre ad assicurarsi che periodicamente vengano effettuati gli interventi di manutenzione ordinaria e preventiva allo scopo di garantire il funzionamento in sicurezza.

La mancata esecuzione degli interventi di manutenzione prescritti e l'uso di ricambi non originali, possono compromettere l'efficienza dell'apparecchio in condizioni di sicurezza. Il fabbricante declina ogni responsabilità in proposito.

L'apparecchio è destinato esclusivamente all' USO A SECCO e non deve essere conservato in esterni o utilizzato in presenza di umidità.

Scollegare la spina del cavo di alimentazione prima degli interventi di pulizia e manutenzione nonché della sostituzione dei componenti o della conversione dell'apparecchio ad altro uso.

Tenere lontano l'apparecchio dai bambini o persone con ridotte doti fisiche, sensoriali o mentali ovvero non in possesso dell'esperienza o conoscenze previste.

I bambini devono essere tenuti sotto controllo affinché non giochino con l'apparecchio.

L'apparecchio non è un giocattolo.

ATTENZIONE

Assicurarsi che i filtri montati sull'apparecchio siano adatti al materiale da aspirare.

L'apparecchio è destinato esclusivamente all'uso in ambienti interni.

L'apparecchio deve essere conservato solo in ambienti interni.

NOTES

L'apparecchio è idoneo agli impieghi in ambienti non domestici tra cui alberghi, scuole, ospedali, fabbriche, negozi e uffici.

Questo prodotto è conforme ai requisiti del punto 20 della norma EN 60335-2-69 su Stabilità e pericoli meccanici.

SEMPRE

- Mantenere pulita la macchina.
- Curare la pulizia dei filtri.
- Per prestazioni ottimali e per mantenere pulito l'apparecchio utilizzare filtri a sacchetto.
- In ambienti con presenza di polveri sottili utilizzare i sacchetti filtro originali Numatic.
- Assicurarsi che i tubi e i flessibili non siano ostruiti.
- Sostituire immediatamente i componenti usurati o danneggiati.
- Esaminare regolarmente il cavo di alimentazione. In presenza di difetti (fessurazioni o invecchiamento) il cavo deve essere sostituito da un addetto qualificato utilizzando esclusivamente ricambi originali Numatic.
- Sostituire spesso il sacchetto.
- Utilizzare esclusivamente le spazzole fornite con l'apparecchio. L'utilizzo di altre spazzole può compromettere la sicurezza d'uso.
- Sostituire il cavo di alimentazione solo con parti di ricambio corrispondenti approvate da Numatic.

DA NON FARE

- Lasciare che la spazzola rotante entri a contatto con il cavo di alimentazione (nel caso in cui tali spazzole siano installate).
- Non svolgere il cavo a strattoni o staccare la spina agendo sul cavo di alimentazione.
- Aspirare ceneri ancora calde o mozziconi di sigarette accesi.
- Utilizzare dispositivi di lavaggio a vapore o a pressione e non usare l'apparecchio sotto la pioggia.
- Immergere in acqua per la pulizia.
- Eseguire interventi di manutenzione o di pulizia senza prima aver scollegato il cavo di alimentazione dalla presa.
- In nessuna circostanza, inserire corpi estranei, come deodoranti, capsule deodoranti o grani profumati di qualsiasi tipo nel filtro superiore dell'attrezzo. Il mancato rispetto di queste istruzioni può essere pericoloso e danneggiare l'attrezzo, e determinare l'annullamento della garanzia.

INFORMAZIONI IMPORTANTI PER L'UTENTE

Prima dell'uso è necessario fornire agli operatori informazioni, istruzioni e formazione sull'uso dell'apparecchio e sulle sostanze per cui deve essere utilizzato, compreso il metodo sicuro per lo smaltimento del materiale raccolto.

Il contenitore della polvere deve essere svuotato quando necessario, ma anche dopo ogni utilizzo.

L'aspirapolvere è dotato di una spia che si accende quando la velocità dell'aria scende al di sotto di un livello preimpostato; ciò segnala che il sacchetto deve essere sostituito.

L'apparecchio non è adatto per il collegamento a macchine che generano polvere.

Tutti i filtri, sacchetto incluso, devono essere integri e posizionati correttamente prima di poter utilizzare l'apparecchio in modo sicuro.

ATTENZIONE: l'apparecchio è destinato esclusivamente all'uso a secco e non deve essere utilizzato o conservato in esterni o in presenza di umidità.

Non aspirare brace, cenere ardente o altri rischi di ignizione.

Non utilizzare il cavo di alimentazione per spostare l'apparecchio.

AVVERTENZA:

1. L'apparecchio deve essere utilizzato esclusivamente da personale adeguatamente formato e autorizzato.
2. L'apparecchio e i suoi accessori non devono essere modificati.
3. L'apparecchio non deve essere riposto o utilizzato in un ambiente umido.
4. Non lasciare che il sacchetto di raccolta della polvere (NVM-2BH) si riempia a tal punto da ridurre il funzionamento efficace dell'aspirapolvere (La spia si accenderà a livelli della velocità dell'aria preimpostati <16 m/s).
5. Utilizzare il sacchetto per la raccolta della polvere (NVM-2BH) una sola volta.
6. L'apparecchio deve essere riparato esclusivamente da personale adeguatamente formato e autorizzato.
7. Per le riparazioni utilizzare esclusivamente ricambi originali Numatic International Ltd.
8. L'apparecchio non deve essere utilizzato come sistema di aspirazione fisso né deve essere lasciato in funzione incustodito.
9. Non riutilizzare l'elemento filtrante essenziale dopo la sua rimozione dalla macchina.

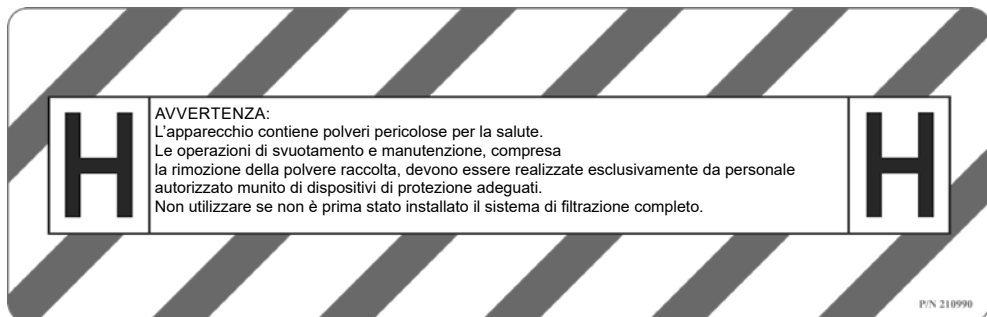
Gli operatori devono osservare eventuali norme di sicurezza appropriate per i materiali da movimentare.

L'apparecchio è destinato al solo uso a secco.

PREPARAZIONE PER L'USO

Disimballare e identificare ogni elemento dell'apparecchio nella distinta di consegna.

Controllare che i dettagli forniti corrispondano alle informazioni riportate sulla targhetta dei dati nominali montata sul gruppo testa.



P/N 210990

Installazione/Rimozione/Smaltimento del sacchetto

Il sacchetto contenente la polvere e i detriti deve essere rimosso e sostituito esclusivamente da personale autorizzato, munito di dispositivi di protezione personale adeguati, in un'area di decontaminazione specificata.

Non utilizzare mai senza il sistema di filtrazione completo installato.

Procedura di smaltimento:

Scollegare il flessibile, montare il tappo antipolvere sulla flangia del flessibile, sganciare i due fermi inferiori. Rimuovere il filtro in tessuto (A) nel tamburo. Rimuovere il sacchetto dalla flangia del flessibile all'interno del tamburo e sigillare il foro del sacchetto. Mettere il sacchetto all'interno di un sacco di plastica resistente e sigillarlo.

Smaltire il sacco di plastica in modo appropriato a seconda del livello di contaminazione.

Installare un nuovo sacchetto sulla flangia del flessibile all'interno del gruppo tamburo. Installare il filtro in tessuto (B) e la testa.

MANUTENZIONE

Tutti i componenti dell'apparecchio devono essere considerati come contaminati quando vengono rimossi dall'area pericolosa ed è necessario adottare misure appropriate per evitare la dispersione di polvere.

Scollegare l'alimentazione durante le attività di pulizia e manutenzione o la sostituzione di componenti.

Accertarsi di staccare la spina dalla presa.

La manutenzione deve essere effettuata in un'area non pericolosa adeguata, dotata di impianti per la pulizia dell'area dopo la manutenzione e di ventilazione adeguata.

Gli interventi di manutenzione e pulizia devono essere sempre realizzati da personale competente autorizzato munito di dispositivi di protezione personale adeguati.

Il filtro in tessuto deve essere estratto e controllato allo scopo di rilevarne il grado di contaminazione ed eventuali danni al tessuto o alle tenute.

Se la tenuta è danneggiata o pesantemente contaminata deve essere sostituita.

Se la contaminazione è solo leggera, pulire con un panno o lavare con detergente delicato (accertarsi che sia asciutta prima di riposizionarla al suo posto).

Gli elementi che non possono essere puliti in modo soddisfacente (ad es. filtri) devono essere smaltiti in un sacco di plastica resistente e in conformità alle normative correnti. Sostituire gli articoli che non possono essere puliti in modo soddisfacente utilizzando ricambi approvati dal produttore.

Controllare periodicamente il cavo di alimentazione alla ricerca di eventuali danni, come incrinature o invecchiamento. In caso di danni, sostituire il cavo prima di ogni ulteriore utilizzo.

Tutti i componenti dell'aspirapolvere sono di importanza critica per la sicurezza e devono essere sostituiti esclusivamente con ricambi Numatic originali.

Per la manutenzione da parte dell'utente l'apparecchio deve essere smontato, pulito e manutenzionato, nella misura in cui sia ragionevolmente fattibile, senza provocare rischi per il personale addetto alla manutenzione e per altri.

Le precauzioni adeguate includono la decontaminazione prima dello smontaggio, la fornitura di ventilazione di scarico locale con filtro laddove l'apparecchio viene smontato, la pulizia dell'area di manutenzione e protezione personale adeguata.

Nei modelli della classe H l'esterno dell'apparecchio deve essere decontaminato con metodi di pulizia tramite aspirazione prima della rimozione dall'area pericolosa e devono essere adottate misure appropriate per evitare la dispersione di polvere (valutazione dei rischi relativi a salute, sicurezza e ambiente necessaria).

Almeno ogni anno una persona competente deve realizzare un'ispezione tecnica costituita da, ad esempio, ispezione dei filtri allo scopo di rilevare eventuali danni, verificare l'impermeabilità dell'apparecchio e il funzionamento corretto del meccanismo di controllo.

Anche l'efficienza di filtrazione deve essere testata come minimo annualmente o più frequentemente come specificato dai requisiti nazionali. I metodi di test che possono essere utilizzati per verificare l'efficienza filtrante dell'apparecchio sono specificati in EN 60335-2-69 Allegato AA (AA22.201.2).

Se il test non viene superato deve essere ripetuto con un nuovo filtro essenziale.

Procedura di sostituzione del filtro HEPA

Rimuovere il gruppo testa/Intercettore e riporlo in un luogo sicuro.

Svitare le 4/6 viti M5 x 10 sul lato inferiore della testa dell'apparecchio/Intercettore; in questo modo il filtro HEPA resterà esposto.

Rimuovere il filtro HEPA contaminato e metterlo in un sacco di plastica adeguatamente resistente e smaltirlo conformemente alle normative correnti.

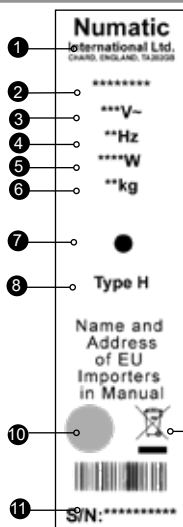
Sostituire il filtro HEPA con una parte identica appropriata.

Rimontare l'apparecchio procedendo nell'ordine inverso (coppia di avvitamento 2,5 Nm).

Durante questa procedura prestare attenzione a tutte le tenute tra le parti di accoppiamento e controllare l'eventuale presenza di danni.

Se le tenute presentano danni, contattare il produttore dell'apparecchio per ottenere un ricambio adeguato.

(ES) Información sobre la máquina



| Etiqueta de características | |
|-----------------------------|--|
| 1 | Nombre y domicilio de la empresa |
| 2 | Modelo |
| 3 | Tensión / Corriente alterna |
| 4 | Frecuencia |
| 5 | Potencia nominal de entrada |
| 6 | Peso (lista para el uso) |
| 7 | Testigo de caudal bajo* (si procede) |
| 8 | Clasificación de peligrosidad |
| 9 | Logotipo RAEE |
| 10 | Marca de aprobación |
| 11 | N.º de serie de la máquina año/ semana |

Diariamente

Mantenga limpia la máquina, incluidos las mangueras y los tubos.
Asegúrese de que estén colocados la bolsa y el filtro.
Examine periódicamente el cable de alimentación.
Revise con frecuencia la bolsa de polvo. Compruebe que los filtros estén limpios.

Semanalmente: igual que diariamente, y además:

Compruebe si hay piezas desgastadas o dañadas y, en tal caso, sustitúyalas inmediatamente.

MANTENIMIENTO

Normativa RAEE

La aspiradora, los accesorios y el embalaje se deben clasificar para su reciclaje ecológico.

(Solo para países de la UE)

No deseche la aspiradora junto con los residuos domésticos. De acuerdo con la Directiva europea 2012/19/EU sobre residuos de aparatos eléctricos y electrónicos y su incorporación en la legislación nacional.

Las aspiradoras que ya no sirven se deben recoger por separado y enviar para su recuperación ecológica.



EPI (equipo de protección individual) que puede ser necesario para determinadas operaciones.

| | | | | |
|-------------------------|----------------------|--------------------------------------|-----------------------------|--------------------|
| | | | | |
| Protección de los oídos | Calzado de seguridad | Protección de la cabeza | Guantes de seguridad | |
| | | | | Cartel de Atención |
| Protección de los ojos | Ropa de protección | Protección contra el polvo/alérgenos | Chaleco de alta visibilidad | |

Nota: Deberá realizarse una evaluación de riesgos que determine qué clase de EPI conviene utilizar.

Componentes críticos para la seguridad

Cable de alimentación: H05VV-F 10m x 3 Core x 1.0mm²

¡ATENCIÓN!

Lea el manual de instrucciones antes de utilizar la máquina.

Deberá instruirse debidamente a los operarios sobre la utilización de estas máquinas.

Al igual que todo equipo eléctrico, se debe tener cuidado y prestar atención en todo momento durante su utilización, además de llevar a cabo periódicamente el mantenimiento preventivo y de rutina para asegurar el funcionamiento sin riesgo.

Si no se realiza debidamente el mantenimiento, incluida la sustitución de las piezas correctas, el equipo podría resultar peligroso y el fabricante no aceptará responsabilidad alguna al respecto.

La máquina es para uso EN SECO solamente y no se debe guardar a la intemperie ni utilizar en condiciones húmedas.

La máquina debe estar desenchufada de la red eléctrica cuando se vaya a limpiar o a someter a las tareas de mantenimiento, así como para sustituirle piezas o para montarla de otra manera para otro uso.

Esta máquina no debe ser utilizada por menores ni personas que tengan capacidades físicas, sensoriales o mentales disminuidas, o que no tengan experiencia ni conocimientos de la máquina.

Los niños se deberán supervisar para asegurarse de que no jueguen con la máquina.

Esta máquina no es un juguete.

PRECAUCIÓN

Asegúrese de que el sistema de filtrado de la máquina sea adecuado para el material que se va a recoger.

Esta máquina es para uso en interiores solamente.

Esta máquina solo se debe guardar bajo techo.

NOTAS

Esta máquina es también adecuada para uso comercial, como por ejemplo en hoteles, colegios, hospitales, fábricas, tiendas y oficinas.

Este producto cumple los requisitos de la cláusula 20 de la norma EN 60335-2-69 sobre estabilidad y peligros mecánicos.

SÍ

- Mantenga limpia la máquina.
- Mantenga limpios los filtros.
- Utilice bolsas filtrantes; mejorarán el rendimiento de la máquina y ayudarán a mantenerla limpia.
- Utilice una bolsa filtrante Numatic Original cuando hay polvo fino.
- Mantenga despejados los tubos y mangueras.
- Sustituya inmediatamente toda pieza desgastada o dañada.
- Examine periódicamente el cable de alimentación. Si se encuentra algún daño, como agrietamiento o envejecimiento, una persona cualificada deberá sustituir el cable de alimentación por el repuesto correcto original de Numatic.
- Cambie con frecuencia la bolsa de polvo.
- Utilice solamente los cepillos provistos con la máquina. El uso de otros cepillos puede comprometer la seguridad.
- Sustituya el cable de alimentación únicamente por el repuesto correcto aprobado por Numatic.

NO

- No deje que el cepillo en rotación entre en contacto con el cable de alimentación (si se montan cepillos rotativos).
- No tire del cable para desenchufar la máquina de la fuente de alimentación.
- No utilice la máquina para aspirar cenizas calientes ni colillas encendidas.
- No utilice una máquina de limpieza al vapor o hidrolavadora para limpiar la máquina, ni tampoco utilice la máquina bajo la lluvia.
- No sumerja la máquina en agua para limpiarla.
- No intente realizar trabajos de mantenimiento o limpieza de la máquina sin haberla desenchufado de la toma de corriente.
- Bajo ningún concepto introduzca objetos extraños (incluyendo, entre otros, ambientadores en cápsulas o perlas perfumadas) de ningún tipo en el filtro superior de la máquina. Hacerlo puede ser peligroso para la máquina, que podría dañarse, y podría anularse la garantía.

INFORMACIÓN IMPORTANTE PARA EL USUARIO

Antes de empezar a utilizar la máquina, el operario recibirá información y capacitación sobre el uso de la máquina y las sustancias para las cuales se podrá utilizar, incluida la forma segura de desechar el material recogido.

El recipiente para el polvo se deberá vaciar cuando sea necesario, y también después de cada vez que se utilice la máquina.

Esta aspiradora tiene una luz que se enciende cuando la velocidad del aire baja de un nivel prefijado; esto indica que hace falta cambiar la bolsa.

Esta máquina no es adecuada para la conexión con máquinas generadoras de polvo.

Para poder utilizar la máquina sin peligro, todos los filtros, incluida la bolsa, deberán estar sanos y en la posición correcta.

PRECAUCIÓN: La máquina es para uso en seco solamente y no debe utilizarse ni guardarse a la intemperie en condiciones húmedas.

No utilice la máquina para aspirar brasas o polvo encendido ni ningún otro material que presente un peligro de incendio.

No tire del cable de alimentación para desplazar la máquina.

ADVERTENCIA:

1. Esta máquina solo debe ser utilizada por personal debidamente capacitado y autorizado.
2. No se debe modificar esta máquina ni sus accesorios.
3. Esta máquina no se debe guardar ni utilizar en ambientes húmedos.
4. No deje que la bolsa recogepolvo (NVM-2BH) se llene tanto que perjudique el efecto de aspiración. (La luz se encenderá a niveles de velocidad de aire prefijados de < 16 m/s).
5. Utilice la bolsa recogepolvo (NVM-2BH) una sola vez.
6. Esta máquina solo debe ser reparada por personal debidamente capacitado y autorizado.
7. Utilice únicamente repuestos originales de Numatic International Ltd cuando se necesite hacer una reparación.
8. Esta máquina no se debe instalar como sistema de extracción fijo ni dejar desatendida cuando está en funcionamiento.
9. No vuelva a utilizar el cartucho del filtro esencial tras haberlo extraído de la máquina.

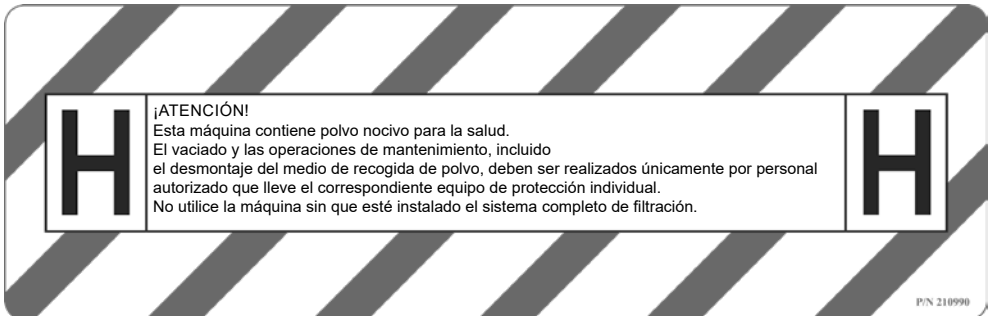
El operario deberá respetar toda la normativa de seguridad que se refiera a los materiales que se están manejando.

Esta máquina está prevista solamente para el uso en seco.

PREPARACIÓN PARA EL USO

Desempaque e identifique cada artículo a partir del albarán.

Verifique que los datos citados concuerden con la información que figura en la etiqueta de características montada en el cabezal.



Colocación, extracción y eliminación de la bolsa de polvo

La bolsa que contiene el polvo y otros residuos se debe sacar y cambiar únicamente por personal autorizado con el correspondiente equipo de protección individual puesto y en una zona específica para tareas de descontaminación.

No utilice nunca la máquina sin que esté instalado el sistema completo de filtración.

Proceso de eliminación:

Desconecte el tubo, coloque la tapa guardapolvo en la brida para el tubo, desenganche las dos abrazaderas de la parte inferior.

Extraiga el filtro textil (A) del cilindro. Saque la bolsa de polvo de la brida para el tubo dentro del cilindro y selle la abertura de la bolsa. Coloque la bolsa de polvo en una bolsa de plástico impermeable y selle la bolsa.

Deseche la bolsa de plástico como proceda según los contaminantes que contenga.

Coloque una bolsa de polvo nueva sobre la brida para el tubo dentro del cilindro. Coloque el filtro textil (B) y monte el cabezal.

MANTENIMIENTO

Todas las piezas de la máquina deben considerarse contaminadas cuando se retiren de la zona del material peligroso y deben tomarse medidas apropiadas para impedir la dispersión del polvo.

Desconecte la máquina de la fuente de alimentación durante su limpieza o mantenimiento, así como al sustituirla una pieza.

Asegúrese de quitar el enchufe de la toma de corriente.

El mantenimiento debe realizarse en una zona adecuada segura y que cuente con instalaciones que permitan limpiar la zona una vez terminado el trabajo de mantenimiento. También deberá contar con ventilación adecuada.

Los trabajos de mantenimiento y limpieza deben ser realizados siempre por personal competente y autorizado que lleve puesto el correspondiente equipo de protección individual.

El filtro textil se debe desmontar y revisar para evaluar el grado de contaminación que tiene y posibles daños de la tela o las juntas.

Si la junta del filtro textil está dañada o muy contaminada, habrá que sustituirla. Si la contaminación es poca, se puede limpiar con un paño o lavar con un detergente suave (asegúrese de que la junta esté seca antes de volver a colocarla).

Los artículos que no se puedan limpiar de manera satisfactoria (como los filtros) se deberán poner en una bolsa de plástico impermeable y desechar de conformidad con la normativa vigente. Sustituya los artículos que no se puedan limpiar de manera satisfactoria por piezas aprobadas por el fabricante.

Examine periódicamente el cable de alimentación en busca de daños como agrietamiento o envejecimiento. Si estuviera dañado, sustituya el cable antes de volver a utilizar la máquina. Todos los componentes de esta aspiradora son críticos para la seguridad; sustitúyalos únicamente por los repuestos originales de Numatic correspondientes.

Para fines de mantenimiento por parte del usuario, la máquina se deberá desarmar, limpiar y revisar, en la medida de lo razonablemente posible, sin que ello represente un riesgo para el personal de mantenimiento u otras personas.

Entre las precauciones adecuadas que se deberán tomar están la descontaminación previa al desarmado, la ventilación por extracción localizada con filtración del lugar donde se desarme la máquina, la limpieza de la zona de mantenimiento y el uso de equipos adecuados de protección individual.

En el caso de las máquinas de clase H, el exterior de la máquina se deberá descontaminar mediante un método de limpieza por aspiración, pasándole luego un paño o tratándolo con un sellador, antes de retirar la máquina de la zona peligrosa, tomándose las medidas correspondientes para impedir la dispersión del polvo. (Se necesita una evaluación de riesgos por el INSSBT).

Una persona competente deberá llevar a cabo una inspección técnica cada año, como mínimo, la cual comprenderá, por ejemplo: la inspección de los filtros por si presentaran algún daño, de la hermeticidad al aire de la máquina y del funcionamiento correcto del mecanismo de control.

Por otra parte, la eficacia de filtración se deberá someter a prueba una vez al año como mínimo, o con más frecuencia según los requisitos reglamentarios del país. Los métodos de prueba que se pueden emplear para verificar la eficacia de filtración de la máquina se estipulan en la norma EN 60335-2-69 anexo AA (AA22.201.2). Si la máquina no supera la prueba, esta se deberá repetir con un nuevo filtro esencial.

Cambio de filtros HEPA

Desmonte el cabezal/interceptor y colóquelo en una zona segura.

Suelte los 4/6 tornillos M5x10 del lado inferior del cabezal/interceptor para descubrir el filtro HEPA.

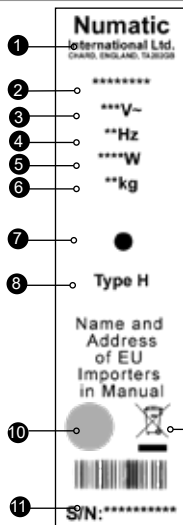
Extraiga el filtro HEPA contaminado, póngalo en una bolsa de plástico impermeable adecuada y deseche esta de conformidad con la normativa vigente.

Sustituya el filtro HEPA por una pieza aprobada idéntica.

Ensamble la máquina en el orden inverso al del desmontaje. (Par de apriete de los tornillos: 2,5 Nm).

Durante este proceso, examine con detenimiento todas las juntas entre las partes que hacen contacto entre sí por si presentaran algún daño.

Si las juntas están dañadas, póngase en contacto con el fabricante de la máquina para obtener una pieza de repuesto aprobada.



Tabliczka znamionowa

| | |
|----|--|
| 1 | Nazwa i adres firmy |
| 2 | Model |
| 3 | Napięcie / Prąd przemienny |
| 4 | Częstotliwość |
| 5 | Znamionowy pobór mocy |
| 6 | Masa (robocza) |
| 7 | Wskaźnik niskiego przepływu* (jeśli dotyczy) |
| 8 | Klasa zagrożenia |
| 9 | Symbol WEEE |
| 10 | Znak zatwierdzenia |
| 11 | Rok/tydz. prod. i numer seryjny |

(PL) Informacje o maszynie

Codziennie

Utrzymywać maszynę w czystości, łącznie z rurkami i węzami.
Pamiętać o założeniu worka i filtra.
Regularnie sprawdzać stan kabla zasilania.
Często sprawdzać worek pyłowy.
Sprawdzać czystość filtrów.
Raz w tygodniu – konserwacja codzienna oraz:
Sprawdzić części pod kątem zużycia lub uszkodzenia i w razie potrzeby niezwłocznie wymienić.

Codziennie

Przepisy o zużytych urządzeniach elektrycznych i elektronicznych
Pozbawiając się akcesoriów i materiałów pakowych maszyny, należy je odpowiednio posegregować do utylizacji.
(Tylko dla krajów UE)

Maszyny nie wolno wyrzucać do odpadów domowych! Zużyty sprzęt należy utylizować zgodnie z przepisami dyrektywy 2012/19/EU w sprawie zużytego sprzętu elektrotechnicznego i elektronicznego włączonymi do prawa krajowego.
Maszynę nienadającą się już do użytku należy zebrać oddzielnie i wysłać do przetworzenia w sposób przyjazny dla środowiska z odzyskiem surowców.



PPE Środki ochrony indywidualnej, które mogą okazać się niezbędne podczas wykonywania niektórych czynności.

| | | | | |
|--------------|-----------------|--------------------------------|----------------------|---------------------------------------|
| | | | | |
| Ochrona uszu | Obuwie ochronne | Ochrona głowy | Rękawice ochronne | |
| | | | | Znak ostrzegawczy o śliskiej podłodze |
| Ochrona oczu | Odzież ochronna | Ochrona przed pyłem/alergenami | Kamizelka odbłaskowa | |

Uwaga* - Aby określić, które środki ochrony indywidualnej trzeba zastosować, należy wykonać ocenę ryzyka.

Komponenty o krytycznym znaczeniu dla bezpieczeństwa

Przewód zasilający:

H05VV-F 10m x 3 Core x 1.0mm²

(PL) Informacje dotyczące użytkowania odkurzaczy NA SUCHO

OSTRZEŻENIE!

Przed przystąpieniem do użytkowania maszyny należy zapoznać się z niniejszą instrukcją. Operatorzy muszą zostać odpowiednio przeszkoleni w zakresie właściwej obsługi maszyn. Przez cały czas użytkowania maszyny czyszczącej, podobnie jak w przypadku każdego urządzenia elektrycznego, należy zachowywać szczególną ostrożność. Ponadto, aby zapewnić bezpieczną eksploatację maszyny, należy regularnie wykonywać zalecane czynności konserwacyjne.

Niewykonywanie konserwacji zgodnie z zaleceniami, a także wymienianie części na niezgodne ze stosowną normą, może spowodować, że użytkowanie maszyny stanie się niebezpieczne i doprowadzić do wyłączenia odpowiedzialności producenta.

Maszyna jest przeznaczona wyłącznie do UŻYTKU NA SUCHO i nie wolno jej używać ani przechowywać na zewnątrz lub w warunkach dużej wilgotności.

Maszyna powinna być odłączona od sieci poprzez wyciągnięcie wtyczki z gniazda zasilania podczas czyszczenia lub konserwacji oraz w razie wymiany części lub przekształcenia maszyny do innego zadania.

Urządzenie nie może być obsługiwane przez dzieci oraz osoby o ograniczonych zdolnościach fizycznych, sensorycznych lub psychicznych, jak również osoby bez doświadczenia i umiejętności. Dzieci muszą znajdować się pod nadzorem, aby uniemożliwić im kontakt z maszyną.

To urządzenie nie jest zabawką.

PRZESTROGA

Należy upewnić się, czy układ filtracyjny zamontowany w maszynie nadaje się do aktualnie zbieranego materiału.

Maszyna jest przeznaczona wyłącznie do użytku w pomieszczeniach.

Maszynę należy przechowywać wyłącznie wewnątrz budynków.

UWAGI

Maszyna jest przeznaczona do zastosowań komercyjnych, np. w hotelach, szkołach, szpitalach, fabrykach, sklepach i biurach.

Ten produkt jest zgodny z wymaganiami punktu 20 normy EN 60335-2-69 Stabilność i zagrożenia mechaniczne.

ZALECENIA

- Utrzymywać urządzenie w czystości.
- Utrzymywać filtry w czystości.
- Używać worków filtracyjnych, co zwiększa wydajność i pomaga utrzymać maszynę w czystości.
- Używać oryginalnych worków filtracyjnych Numatic w przypadku drobnego pyłu.
- Utrzymywać rury i węże w czystości.
- Niezwłocznie wymieniać zużyte lub uszkodzone części.
- Regularnie sprawdzać stan kabla zasilania. W razie wykrycia pęknięcia lub zużycia kabel zasilania musi zostać wymieniony przez kompetentną osobę z wykorzystaniem odpowiedniej części oryginalnej Numatic.
- Często wymieniać worek pyłowy.
- Używać wyłącznie szczotek dostarczonych z maszyną. Używanie innych szczotek może obniżyć poziom bezpieczeństwa.
- Uszkodzony kabel zastąpić tylko odpowiednim kablem zatwierdzonym przez Numatic.

ZAKAZY

- Dopuścić, aby wirująca szczotka weszła w kontakt z kablem zasilania (gdzie zamontowane są szczotki wirujące).
- Ciągnąć za kabel w celu odłączenia urządzenia od źródła zasilania.
- Zasysać gorących popiołów ani palących się niedopałków papierosów czy cygar.
- Używać myjek parowych ani ciśnieniowych do czyszczenia maszyny lub używać jej na deszczu.
- Zanurzać urządzenia w wodzie w celu jego wyczyszczenia.
- Wykonywać czynności konserwacyjnych i czyszczenia urządzenia, jeśli kabel zasilający nie został odłączony od gniazda zasilania.
- W żadnych okolicznościach nie należy umieszczać obcych przedmioty, w tym (ale nie tylko) odświeżaczy powietrza, wkładów odświeżaczy powietrza lub kulek zapachowych dowolnego typu w górnym filtrze urządzenia. Takie postępowanie może być niebezpieczne i narażać urządzenie na uszkodzenie oraz doprowadzić do unieważnienia gwarancji.

WAŻNE INFORMACJE DLA UŻYTKOWNIKA

Przed przystąpieniem do użytkowania urządzenia, operatorzy powinni otrzymać informacje i zalecenia oraz zostać przeszkoleni w zakresie użytkowania maszyny oraz substancji, do których ma ona być wykorzystywana, w tym również bezpiecznych sposobów utylizacji zebranego materiału. Pojemnik na kurz należy opróżniać w razie konieczności, ale także po każdym użyciu. Niniejszy odkurzacz jest wyposażony w lampkę, która zapala się, gdy prędkość powietrza spadnie poniżej wstępnie ustawionego poziomu, co wskazuje na konieczność wymiany worka. Maszyna nie jest przeznaczona do podłączania do maszyn wytwarzających pył. Żadne filtry, w tym worek, nie mogą być uszkodzone oraz muszą one być we właściwym położeniu zanim maszynę będzie można bezpiecznie użytkować.

PRZESTROGA: Maszyna jest przeznaczona wyłącznie do UŻYTKU NA SUCHO i nie wolno używać ani przechowywać na zewnątrz lub w warunkach dużej wilgotności. Nie należy zbierać żarzących się płomieni lub pyłu lub żadnych innych substancji grożących zapłonem. Nie używać kabla zasilającego do przemieszczania maszyny

OSTRZEŻENIE:

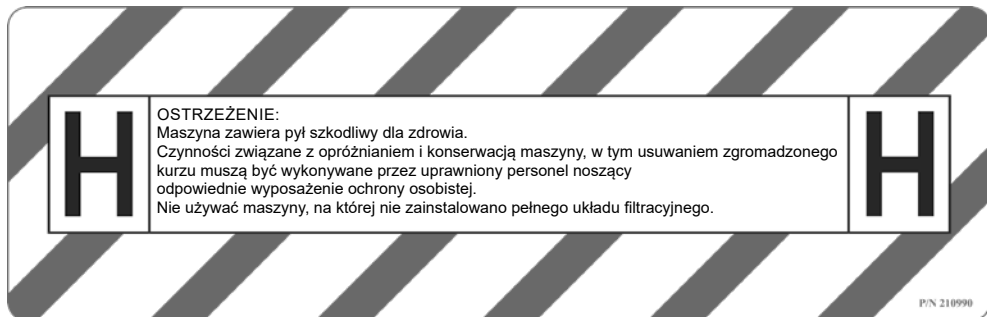
1. Maszyna może być użytkowana wyłącznie przez odpowiednio przeszkolony i uprawniony personel.
2. W maszynie lub jej akcesoriach nie wolno dokonywać żadnych modyfikacji.
3. Maszyny nie wolno przetrzymywać ani użytkować w środowisku charakteryzującym się dużą wilgotnością.
4. Nie należy dopuścić do zapełnienia worka służącego do zbierania pyłu (NVM-2BH) w stopniu, który zmniejszy możliwość skutecznego zbierania pyłu przez odkurzacz. (Na wcześniej ustawionych poziomach prędkości powietrza < 16 m/s zapali się lampka).
5. Worka służącego do zbierania pyłu (NVM-2BH) należy używać jedynie jednokrotnie.
6. Maszyna może być naprawiana wyłącznie przez odpowiednio przeszkolony i uprawniony personel.
7. Do napraw należy wykorzystywać wyłącznie oryginalne części zamienne firmy Numatic International Ltd.
8. Maszyny nie wolno instalować jako stałego systemu odpylania lub pozwalać by pracowała bez nadzoru.
9. Nie używać ponownie wkładu filtracyjnego po usunięciu z maszyny.

Operatorzy powinni przestrzegać wszelkich przepisów bezpieczeństwa odpowiednich dla obsługiwanych materiałów.

Ta maszyna jest przeznaczona tylko do użytku na sucho.

PRZYGOTOWANIE DO UŻYTKOWANIA

Należy rozpakować oraz zidentyfikować każdy element wyposażenia z dowodu dostawy. Sprawdzić czy podane informacje szczegółowe odpowiadają informacjom umieszczonym na tabliczce znamionowej zamontowanej na zespole głowicy.



Instalacja / Zdejmowanie / Utylizacja worka pyłowego.

Worek pyłowy, w którym gromadzony jest pył oraz śmieci, musi być zdejmowany wyłącznie przez uprawniony personel, noszący odpowiednie wyposażenie ochrony osobistej, w wyznaczonym obszarze odkażania. W żadnym wypadku nie używać maszyny, bez zainstalowanego pełnego układu filtracyjnego.

Proces utylizacji:

Odłączyć wąż, zamontować kołpak przeciwkurzowy na kołnierzu węża, odblokować dwa dolne zaciskacze.

Należy zdjąć filtr tkaninowy (A) z bębna. Worek pyłowy należy zdjąć z kołnierza węża wewnątrz bębna i zamknąć otwór worka pyłowego. Worek pyłowy należy umieścić wewnątrz nieprzepuszczalnego worka tworzywowego, a następnie worek ten należy zamknąć.

Worek z tworzywa należy zutylizować w odpowiedni sposób w zależności od stopnia zanieczyszczenia.

Należy zamocować nowy worek pyłowy na kołnierzu węża wewnątrz zespołu bębna.
Należy zamocować filtr tkaninowy (B) i głowicę.

KONSERWACJA

Wszystkie części maszyny należy uważać za zanieczyszczone po usunięciu z obszaru niebezpiecznego, przy czym należy podjąć odpowiednie działania, aby zapobiec rozsiewaniu się pyłu.

Odcłodzić zasilanie elektryczne podczas czyszczenia lub konserwacji maszyny lub też podczas wymiany części.

Należy upewnić się, że wtyczka jest wyjęta z gniazdka zasilania.

Czynności konserwacyjne należy prowadzić w odpowiednim miejscu nienarażonym na zagrożenia i wyposażonym w urządzenia przeznaczone do sprzątania po wykonaniu serwisowania oraz w odpowiednią wentylację.

Czynności związane z konserwacją i czyszczeniem maszyny muszą być zawsze wykonywane przez uprawniony personel z odpowiednimi kompetencjami, wyposażony w odpowiednie środki ochrony osobistej. Filtr tkaninowy należy wyjąć i sprawdzić pod kątem stopnia zanieczyszczenia oraz uszkodzenia materiału lub uszchelek.

Jeżeli materiał filtra lub jakakolwiek jego uszczelka są uszkodzone lub mocno zabrudzone, należy dokonać ich wymiany. W przypadku jedynie lekkiego zabrudzenia należy je jedynie przetrzeć do czysta lub przemyć łagodnym detergentem (przed wymianą upewnić się, że są one suche).

Elementy, które można oczyścić w sposób zadowalający (np. filtry), należy utylizować w nieprzepuszczalnym worku z tworzywa sztucznego zgodnie z obowiązującymi przepisami. Elementy, których nie można w sposób zadowalający, należy wymienić, używając do tego celu zatwierdzonych części producenta.

Regularnie kontrolować kabel zasilający pod kątem ewentualnych uszkodzeń, np. pęknięć czy starzenia się.

W razie stwierdzenia uszkodzenia niezwłocznie wymienić kabel przed kolejnym użyciem maszyny.

Wszystkie części niniejszego odkurzacza są ważne z punktu widzenia bezpieczeństwa i należy je wymieniać na oryginalne części zapasowe firmy Numatic.

W ramach przeprowadzenia serwisu przez użytkownika maszynę należy demontować, oczyścić i serwisować w zakresie, w jakim jest to w sposób uzasadniony możliwe bez powodowania zagrożeń dla personelu dokonującego konserwacji i pozostałych osób.

Odpowiednie środki ostrożności obejmują odkażanie przed demontażem, zapewnienie lokalnej wentylacji wyciągowej w miejscu demontażu maszyny, oczyszczenie obszaru konserwacji i zapewnienie odpowiedniej ochrony osobistej.

W maszynach klasy H powierzchnia zewnętrzna maszyny powinna zostać oczyszczona poprzez odkurzenie i dokładnie przetrarta lub oczyszczona przy użyciu środka uszczelniającego przed zabraniem jej z obszaru niebezpiecznego. Odpowiednie działania należy podjąć na rzecz zapobiegnięcia rozsiewaniu się pyłu.

(Wymagana ocena ryzyka BHP).

Osoba posiadająca odpowiednie kompetencje będzie przeprowadzać kontrolę techniczną co najmniej raz na rok, przy czym będzie ona obejmować na przykład kontrolę filtrów pod kątem uszkodzeń, szczelności powietrznej maszyny i właściwego działania mechanizmu sterującego.

Również raz na rok lub częściej należy sprawdzać wydajność filtracji, zgodnie z wymaganiami przepisów krajowych. Metody prowadzenia testów, z których można skorzystać w celu sprawdzenia wydajności filtrowania przez maszynę, zostały określone w normie EN 60335-2-69 Załącznik AA (AA22.201.2). Jeżeli test nie powiedzie się, należy go powtórzyć z zastosowaniem nowego filtra.

Proces wymiany filtrów HEPA.

Usunąć zespół głowicy/przechwytyjący i umieścić w bezpiecznym miejscu.

Odkręcić 4/6 śruby M5 x 10 na spodzie głowicy maszyny/przechwytyjący, co spowoduje odsłonięcie filtra HEPA.

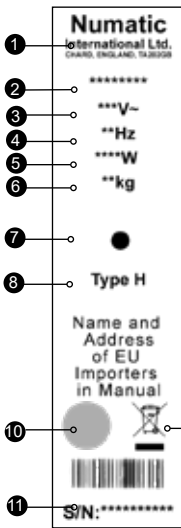
Zdjąć zanieczyszczony filtr HEPA i umieścić w odpowiednio nieprzepuszczalnym worku z tworzywa sztucznego i dokonać utylizacji zgodnie z obowiązującymi przepisami.

Wymienić filtr HEPA na identyczną dopuszczoną do użytku część.

Dokonać ponownego montażu maszyny w odwrotnej kolejności. (Moment dokręcenia 2,5 Nm).

Podczas tego procesu, należy dokładnie przyręczyć się wszystkim uszczelką między współpracującymi częściami i sprawdzić je pod kątem uszkodzeń.

Jeżeli uszczelki uległy uszkodzeniu, należy skontaktować się z producentem maszyny, aby uzyskać zatwierdzoną część zamienną.



Märkskylt

| | |
|----|---|
| 1 | Företagsnamn och adress |
| 2 | Modell |
| 3 | Spänning/växelström |
| 4 | Frekvens |
| 5 | Ineffekt |
| 6 | Vikt |
| 7 | Indikator för lågt flöde * (om tillämpligt) |
| 8 | Klassificerad som farlig |
| 9 | WEEE-logotyp |
| 10 | Märke för godkännande |
| 11 | Maskin år/vecka, serienummer |

(SV) Om maskinen

Varje dag:

Håll maskinen ren, inklusive slang och rör.
Kontrollera att påsen och filtret sitter på plats.
Undersök strömkabeln regelbundet.
Kontrollera dammsugarpåsen ofta.
Kontrollera att filtren är rena.

Varje vecka – samma som varje dag och dessutom:

Kontrollera om det finns utslitna eller skadade delar och byt ut dem omedelbart.
Rengör inte maskinen med ångtvätt eller högttryckstvätt.

Varje dag

WEEE-lagstiftning

Dammsugaren, dess tillbehör och förpackningsmaterial ska sorteras för miljövänlig återvinning.

(Gäller endast EU-länder)

Sortera inte dammsugaren som hushållsavfall! Enligt EU-direktiv 2012/19/EU om avfall som utgörs av eller innehåller elektriska eller elektroniska produkter (WEEE) och enligt nationella lagar.

Dammsugare som inte längre är i skick att användas måste samlas in separat och avfallshanteras på ett miljövänligt sätt.



Personlig skyddsutrustning som kan krävas för vissa uppgifter.

| | | | | |
|-------------|--------------|---------------------------|----------------|--|
| | | | | |
| Hörselskydd | Skyddsskor | Huvudskydd | Skyddshandskar | |
| | | | | |
| Ögonskydd | Skyddskläder | Skydd mot damm/allergener | Varselväst | |

Obs!* En riskbedömning bör göras för att avgöra vilken skyddsutrustning som ska användas.

Viktiga säkerhetskomponenter

Nätkabel:

H05VV-F 10m x 3 Core x 1.0mm²

VARNING!

Läs bruksanvisningen innan du använder maskinen.

Användare ska ha fått lämpliga instruktioner för användningen av dessa maskiner.

Som med all elektrisk utrustning måste man alltid vara försiktig och uppmärksam under användningen, förutom att se till att rutinemässigt och förebyggande underhåll utförs regelbundet för att säkerställa säker drift.

Om underhåll inte utförs enligt anvisningarna, vilket omfattar byte av delar till korrekt standard, är utrustningen eventuellt inte längre driftsäker. Tillverkarens ansvar upphör då att gälla.

Denna maskin är endast avsedd för TORR ANVÄNDNING och får inte förvaras utomhus eller användas i våta miljöer.

Maskinens kontakt måste dras ut ur vägguttaget innan maskinen rengörs eller underhålls, och innan några delar byts ut eller maskinen ska konverteras för en annan funktion.

Maskinen får inte användas av barn eller personer med begränsad fysisk, sensorisk eller psykisk förmåga eller som saknar erfarenhet eller kunskap.

Barn får inte leka med maskinen.

Maskinen är ingen leksak.

VAR FÖRSIKTIG!

Se till att filtersystemet som har monterats i maskinen är lämpligt för det material som du vill suga upp.

Maskinen är endast avsedd för inomhusbruk.

Denna maskin får endast förvaras inomhus.

OBS!

Maskinen är avsedd för kommersiellt bruk på exempelvis hotell, skolor, sjukhus, fabriker, butiker och kontor.

Den här produkten uppfyller kraven i klausul 20 i EN 60335-2-69 om stabilitetsrisker och mekaniska risker.

RÄTT

- Håll maskinen ren.
- Håll filtren rena.
- Använd filterpåsar. De höjer prestandan och hjälper till att hålla maskinen ren.
- Använd en originalfilterpåse från Numatic under förhållanden med fint damm.
- Håll slangar och rör rena.
- Byt omedelbart ut slitna eller skadade delar.
- Undersök strömsladden regelbundet. Om kabeln visar tecken på skador som sprickor eller förslitningar ska kabeln bytas ut av en kvalificerad person och ersättas med rätt originaldel från Numatic.
- Byt ut dammsugarpåsen ofta.
- Använd endast borstarna som medföljer maskinen. Säkerheten kan äventyras om du använder andra borstar.
- Använd endast ersättningsdelen som har godkänts av Numatic när du byter ut laddningskabeln.

GÖR INTE DETTA:

- Låt inte den roterande borsten komma i kontakt med strömsladden (där de roterande borstarna är monterade).
- Dra inte i sladden för att koppla från maskinen från vägguttaget.
- Använd inte maskinen för att suga upp het aska eller glödande cigaretter.
- Rengör inte maskinen med ångtvätt eller högtryckstvätt och använd den inte i regn.
- Sänk ner i vatten för rengöring.
- Försök inte att underhålla eller rengöra maskinen om kontakten inte har tagits ut ur vägguttaget.
- Placera under inga omständigheter främmande föremål, inklusive (men inte begränsat till) luftfräschare, luftrenare eller parfympärlor av något slag, i maskinens övre filter. Det kan vara farligt, orsaka skador på maskinen och ogiltiggöra maskinens garanti.

VIKTIG ANVÄNDARINFORMATION

Innan användning ska användare tillhandahållas information, instruktioner och utbildning för användning av maskinen och de ämnen för vilka den ska användas, inklusive säkra metoder för kassering av material som samlats in.

Dammbehållaren ska tömmas vid behov, men även efter varje användning.

Denna dammsugare har en lampa som tänds när lufthastigheten sjunker till under en förinställd nivå, vilket indikerar att påsen måste bytas.

Den här maskinen är inte lämplig för användning i anslutning till maskiner som genererar damm.

Alla filter, inklusive dammsugarpåsen måste vara intakta och korrekt monterade innan maskinen kan användas på ett säkert sätt.

OBSERVERA: Den här maskinen är endast avsedd för torr användning och får inte användas eller förvaras utomhus i våta miljöer.

Sug inte upp glödande aska, damm eller andra antändliga föremål

Använd inte strömsladden för att flytta maskinen.

VARNING!

1. Maskinen får endast användas av lämpligt utbildad och auktoriserad personal.
2. Maskinen eller dess tillbehör får inte ändras.
3. Maskinen får inte förvaras eller användas i våta miljöer.
4. Låt inte dammsugarpåsen (NVM-2BH) bli så full så att den hämmar den effektiva uppsugningsförmågan. (Lampan tänds vid förinställda lufthastighetsnivåer på < 16 m/s).
5. Använd endast dammsugarpåsen (NVM-2BH) för en användning.
6. Maskinen får endast repareras av lämpligt utbildad och auktoriserad personal.
7. Använd endast originalreservdelar från Numatic International Ltd vid reparationer.
8. Maskinen får inte installeras som ett fast extraktionssystem eller köras obebakad.
9. Återanvänd inte den nödvändiga filterelementet om det en gång tagits ut ur maskinen.

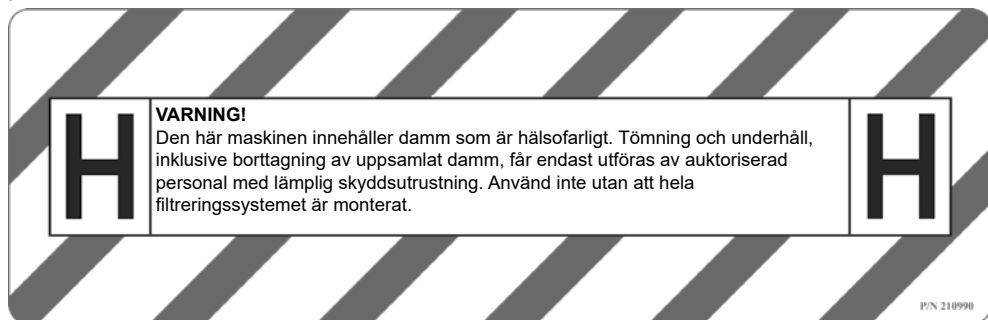
Användare ska följa alla säkerhetsföreskrifter som föreligger för det material som hanteras.

Maskinen är endast avsedd för torr användning.

FÖRBEREDELSE FÖR ANVÄNDNING

Packa upp och identifiera varje del av utrustningen från följesedeln.

Kontrollera att uppgifterna stämmer överens med informationen på märkskylten som sitter på huvudenheten.



Installation/borttagning/kassering av dammsugarpåsen.

Om dammsugarpåsen innehåller damm och skräp får den endast tas bort och bytas ut av auktoriserad personal, med lämplig skyddsutrustning, i ett särskilt område avsett för dekontaminering. Använd aldrig utan att hela filteringsystemet är på plats.

Kasseringsprocess:

Koppla bort slangen, montera dammkåpan på slangflänsen och lossa de två nedre fjäderklämmorna. Ta bort tygfiltret (A) i trumman. Ta bort dammsugarpåsen från slangflänsen inuti trumman och försegla hålet på dammsugarpåsen. Lägg dammsugarpåsen i en tät plastpåse och förslut påsen. Kassera plastpåsen på lämpligt sätt, beroende på kontamineringsgrad.

Sida 4

Montera en ny dammsugarpåse över slangflänsen inuti trumman. Montera tygfiltret (B) och munstycket.

UNDERHÅLL

Alla maskindelar ska betraktas som kontaminerade när de tas ut ur riskområdet och lämpliga åtgärder vidtas för att förhindra att damm sprids.

Koppla ur strömsladden på maskinen vid rengöring, underhåll eller vid byte av delar. Se till att strömkontakten är urkopplad från strömuttaget.

Underhåll måste utföras i ett lämpligt och säkert område med faciliteter för rengöring av området efter service och med lämplig ventilation.

Underhålls- och rengöringsarbete måste alltid utföras av auktoriserad personal med lämplig skyddsutrustning.

Tygfiltret måste tas ut och kontamineringsgraden kontrolleras. Det måste även kontrolleras om det har uppstått skador på tyg eller tätningar.

Om det visar sig att tygfiltrets tätningar är skadade eller svårt kontaminerade måste filtret bytas ut. Om det endast är något kontaminerat kan man torka eller tvätta det med ett mildt rengöringsmedel (se till att det är torrt innan du sätter tillbaka det).

Delar som inte kan rengöras på ett tillräckligt sätt (t.ex. filter) måste kasseras i en tät plastpåse och kasseras i enlighet med gällande föreskrifter. Byt ut de delar som inte kan rengöras på ett tillräckligt sätt med hjälp av godkända delar från tillverkaren.

Undersök strömsladden delarbundet avseende skador, exempelvis sprickor eller förslitningar. Om du upptäcker skador ska kabeln bytas ut innan du använder maskinen igen.

Alla delar av den här dammsugaren är säkerhetskritiska och ska endast ersättas med äkta Numatic-reservdelar.

Vid service måste maskinen demonteras, rengöras och underhållas, så långt det är praktiskt möjligt, utan att utsätta underhållspersonal och andra för risk.

Försiktighetsåtgärder inkluderar dekontaminering före demontering, tillhandahållande av lokal filtrerad ventilation där maskinen demonteras, rengöring av underhållsområdet och lämplig skyddsutrustning.

I klass H-maskiner ska maskinens utsida dekontamineras med dammsugning och torkas av eller behandlas med ett tätningsmedel innan de tas ut ur riskområdet och lämpliga åtgärder vidtas för att förhindra att damm sprids. (HSE-riskbedömning krävs).

En behörig person ska utföra en teknisk inspektion minst en gång om året, som består av t.ex. inspektion av eventuella skador på filter, maskinens lufttäthet och styrmekanismens funktion.

Filterrengöringseffektiviteten bör också testas minst en gång om året, eller oftare, enligt vad som anges i nationella krav. De testmetoder som kan användas för att verifiera maskinens filtereffektivitet anges i EN 60335-2-69, bilaga AA (AA22.201.2). Om filtret inte godkänns ska testet upprepas med ett nytt filter.

Byte av HEPA-filter.

Avlägsna munstycket och placera det på en säker plats.

Skruva loss de 4/6 M5 x 10 skruvarna på undersidan av munstycket som exponerar HEPA-filtret.

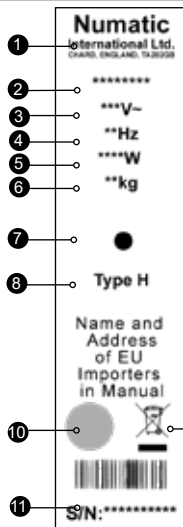
Ta bort det kontaminerade HEPA-filtret och placera det i en lämplig, tät plastpåse och kassera det i enlighet med gällande föreskrifter.

Byt ut HEPA-filtret mot ett identiskt godkänt filter

Montera ihop maskinen i omvänd ordning. (Skruv med åtdragningsmoment på 2,5 Nm).

Under den här processen ska du titta noga på alla tätningar mellan delar som ska sättas ihop och inspektera för eventuella skador.

Om tätningarna har skadats kontakta du maskintillverkaren för att få en godkänd reservdel.



Arvokilpi

| | |
|----|---|
| 1 | Yrityksen nimi ja osoite |
| 2 | Malli |
| 3 | Jännite/vaihtovirta |
| 4 | Taajuus |
| 5 | Nimellisteho |
| 6 | Paino |
| 7 | Pienen virtauksen merkkivalo * (jos käytössä) |
| 8 | Vaarallisuusluokitus |
| 9 | SER-logo |
| 10 | Hyväksymismerkki |
| 11 | Koneen vuosi/viikko, sarjanumero |

Päivittäm

Kone on pidettävä puhtaana, sen letkut ja putket mukaan lukien. Varmista, että pölypussi ja suodatin on asennettu koneeseen. Tarkasta virtajohto säännöllisesti. Tarkasta pölypussi usein. Tarkasta, että suodattimet ovat puhtaat.

Viikoittain – päivittäisten tarkastusten lisäksi:

Tarkasta osat kulumien ja vaurioiden varalta ja vaihda ne tarvittaessa heti. Höyry- tai painepesuria ei saa käyttää.

Päivittäm

WEEE-lainsäädäntö

Pölynimuri, lisätarvikkeet ja pakkausmateriaalit on lajiteltava kierrätystä varten.

Koskee vain EU-maita

Pölynimuria ei saa hävittää kotitalousjätteen mukana! Euroopan sähkö- ja elektroniikkalaiteromua koskevan direktiivin 2012/19/EY ja sen kansallisten sovellusten mukaan.

Käytöstä poistettavien pölynimureiden sisältämät materiaalit on lajiteltava ja toimitettava kierrätykseen.



Henkilönsuojaimet, joita saatetaan tarvita joissain tilanteissa

| | | | | |
|---|----------------|------------------------------|---------------|--|
| | | | | |
| Kuulonsuojaimet | Turvajalkineet | Päänsuojaimet | Suojakäsineet | |
| | | | | Lattian liukkaudesta varoittava kyltti |
| Silmiensuojain | Suojavaatetus | Pöly- ja allergeenisuojaimet | Huomiotakki | |
| Huomautus* Tarvittavat henkilönsuojaimet on määrítettävä riskiarvioinnissa. | | | | |

Turvallisuuden kannalta tärkeät osat

Virtajohto:

H05VV-F 10m x 3 Core x 1.0mm²

VAROITUS

Lue käyttöopas ennen laitteen käyttöä.

Käyttäjät on opastettava asianmukaisesti koneen käyttöön.

Kaikkien sähkölaitteiden tapaan laitteen käytössä on oltava huolellinen ja varovainen. Koneen turvallinen käyttö edellyttää myös, että laitteen rutiini- ja määräaikaishuolloista huolehditaan ajallaan.

Jos tarvittavista huolloista ja oikeiden varaosien käytöstä ei huolehdita, laitteen käyttö ei ole turvallista. Valmistaja ei hyväksy vastuuta tällaisissa tapauksissa.

Kone on tarkoitettu ainoastaan KUIVAKÄYTTÖÖN, eikä sitä saa säilyttää ulkona tai käyttää märissä olosuhteissa.

Koneesta on katkaistava virta irrottamalla pistotulppa pistorasiasta ennen koneen puhdistusta, huoltoa ja osien vaihtoa tai kun koneen toimintoja muutetaan.

Tätä konetta ei ole tarkoitettu fyysisesti tai psyykkisesti rajoittuneiden eikä kokemattomien henkilöiden (kuten lasten) käytettäväksi.

Valvo, etteivät lapset leiki koneella.

Tämä kone ei ole lelu.

HUOMIO

Varmista, että koneeseen asennettu suodatusjärjestelmä soveltuu imuroitavalle materiaalille.

Kone on tarkoitettu ainoastaan sisäkäyttöön.

Tätä konetta saa säilyttää vain sisätiloissa.

MUISTIINPANOJA

Kone on tarkoitettu kaupalliseen käyttöön esimerkiksi hotelleissa, kouluissa, sairaaloissa, tehtaissa, kaupoissa ja toimistoissa.

Tämä tuote täyttää standardin EN 60335-2-69 kohdan 20 vaatimukset Stabiiliisuus ja mekaaniset vaarat.

OIKEIN

- Kone on pidettävä puhtaana.
- Suodattimet on pidettävä puhtaana.
- Käytä suodatinpusseja, sillä ne parantavat tehoa ja pitävät koneen puhtaana.
- Käytä Numaticin alkuperäisiä suodatinpusseja, kun konetta käytetään olosuhteissa, joissa käsitellään hienojakoista pölyä.
- Letkut ja putket on pidettävä vapaina tukoksista.
- Kuluneet tai vaurioituneet osat on vaihdettava heti.
- Tarkasta virtajohto säännöllisesti. Jos virtajohtossa näkyy vaurioita, kuten halkeilua tai kulumia, vain pätevä henkilö saa vaihtaa sen Numaticin alkuperäiseen vaihto-osaan.
- Vaihda pölypussi usein.
- Käytä vain koneen mukana toimitettuja harjoja. Muiden harjojen käyttö voi olla vaarallista.
- Virtajohtoon saa vaihtaa vain oikeaan, Numaticin hyväksymään varaosaan.

VÄÄRIN

- Älä anna pyörivän harjan koskettaa virtajohtoa (jos pyöriviä harjoja on asennettu).
- Koneetta ei saa irrottaa virtalähteestä vetämällä johdosta.
- Koneella ei saa imuroida kuumaa tuhkaa tai palavia tupakantumpeja.
- Koneetta ei saa puhdistaa höyry- tai painepesurilla. Koneetta ei saa käyttää sateessa.
- Koneetta ei saa puhdistaa upottamalla veteen.
- Koneetta ei saa huoltaa tai puhdistaa, jos pistotulppa on pistorasiassa.
- Koneen suodattimeen ei saa koskaan asettaa mitään vierasesineitä, kuten ilmanraikastimia tai tuoksuraikeita. Se voi aiheuttaa vaaratilanteen ja vaurioittaa konetta. Se saattaa myös mitätöidä koneen takuun.

TÄRKEITÄ TIETOJA KÄYTTÄJÄLLE

Ennen käyttöä käyttäjille on annettava tietoja, ohjeita ja koulutusta koneen käytöstä ja aineista, joita sillä saa käsitellä, esimerkiksi kerätyn materiaalin turvallisesta hävittämisestä.

Pölysäiliö on tyhjennettävä tarvittaessa, mutta myös jokaisen käyttökerran jälkeen.

Pölynimurissa on merkkivalo, joka syttyy, kun ilmavirran nopeus laskee esiasetetun tason alapuolelle. Se tarkoittaa, että pussi on vaihdettava.

Konetta ei saa liittää pölyä tuottaviin koneisiin.

Kaikkien suodattimien, kuten pölypussin, on oltava vioittumattomia ja oikeassa asennossa, jotta konetta voi käyttää turvallisesti.

HUOMIO: Kone on tarkoitettu ainoastaan kuivakäyttöön, eikä sitä saa käyttää eikä säilyttää ulkona määritetyissä olosuhteissa.

Älä imuroi hehkuvia hiiliä, pölyä tai muuta helposti syttyvää.

Älä liikuta konetta vetämällä sen virtajohdosta.

VAROITUS:

1. Konetta saa käyttää vain asianmukaisesti koulutettu ja valtuutettu henkilökunta.
2. Konetta tai sen lisävarusteita ei saa muokata.
3. Konetta ei saa säilyttää eikä käyttää määrässä ympäristössä.
4. Älä anna pölypussin (NVM-2BH) täytyä niin paljon, että imuteho laskee. (Valo syttyy esiasetuksen mukaisesti, kun ilman nopeus laskee alle 16 m/s).
5. Pölypussi (NVM-2BH) on kertakäyttöinen.
6. Konetta saa korjata vain asianmukaisesti koulutettu ja valtuutettu henkilökunta.
7. Korjauksiin saa käyttää vain aitoja Numatic International Ltd:n varaosia.
8. Konetta ei saa asentaa kiinteäksi poistojärjestelmäksi eikä käyttää ilman valvontaa.
9. Älä käytä suodatinpatruunaa uudelleen, kun se on poistettu koneesta.

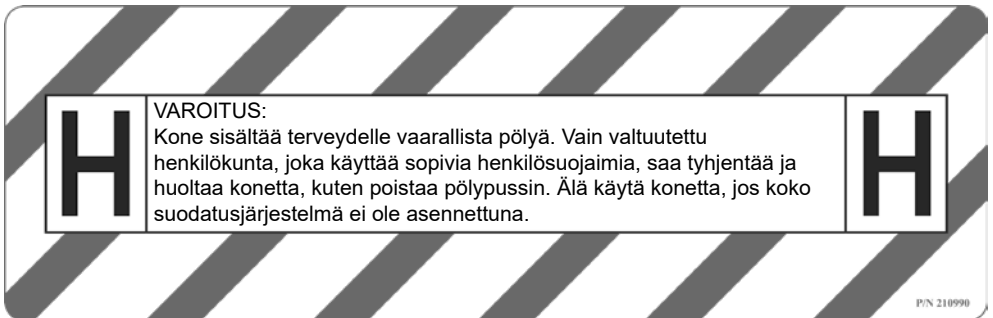
Käyttäjien on noudatettava käsiteltäviä materiaaleja koskevia turvallisuusmääräyksiä.

Kone on tarkoitettu ainoastaan kuivakäyttöön.

VALMISTELUOHJEET

Pura kaikki laitteiston osat pakkauksesta ja tarkista ne lähetysluettelosta.

Varmista, että annetut tiedot vastaavat runkoon kiinnitetystä arvokilvessä olevia tietoja.



P/N 210990

Pölypussin asentaminen/poistaminen/hävittäminen.

Vain valtuutettu henkilökunta saa poistaa ja vaihtaa täyttyneen pölypussin erityisessä dekontaminaatiotilassa käyttäen asianmukaisia suojavarusteita.

Älä käytä konetta, jos koko suodatusjärjestelmä ei ole paikallaan.

Hävittäminen:

Irrota letku, aseta pölysuojus letkun laippaan ja irrota kaksi alinta vipupuristinta.

Irrota kangassuodatin (A) rummusta. Irrota pölypussi rummun sisällä olevasta letkun laipasta ja sulje pölypussin aukko. Siirrä pölypussi tiiviiseen muovipussiin ja sulje pussi tiiviisti.

Hävitä muovipussi asianmukaisesti kontaminoitumisen mukaan. Sivu 4

Aseta uusi pölypussi rumpukokoonpanon sisään letkun laipan päälle. Aseta kangassuodatin (B) ja koneen päälyysosa paikoilleen.

HUOLTO

Kaikkia koneen osia on pidettävä kontaminoituneina, kun ne viedään pois vaaralliselta alueelta, ja pölyn leviäminen on estettävä asianmukaisilla toimilla.

Irrota kone virtalähteestä puhdistuksen, huollon tai osien vaihdon ajaksi.

Varmista, että pistoke on irrotettu pistorasiasta.

Huolto on tehtävä soveltuvalla vaarattomalla alueella, jolla on välineistö alueen puhdistukseen huollon jälkeen ja asianmukainen ilmanvaihto.

Huolto- ja puhdistustoimia saa tehdä vain pätevä, valtuutettu henkilökunta, joka käyttää sopivia henkilösuojaimia.

Kangassuodatin on irrotettava ja tarkistettava kontaminaation sekä kankaan tai tiivisteiden vaurioiden varalta.

Jos kangastiiviste on vaurioitunut tai kontaminoitunut pahasti, se on vaihdettava. Jos se on vain lievästi kontaminoitunut, pyyhi se puhtaaksi tai pese se miedolla pesuaineella (varmista, että se on kuiva, ennen kuin asetat sen takaisin paikalleen).

Osat, joita ei pysty puhdistamaan riittävästi (esimerkiksi suodatimet) on hävitettävä tiiviissä muovipussissa ja voimassa olevien säädösten mukaisesti. Vaihda osat, joita ei pysty puhdistamaan riittävästi, valmistajan hyväksymin osiin.

Tarkasta säännöllisesti, että virtajohto ei ole murtunut, hapertunut tai muuten vaurioitunut. Vaurioitunut johto on vaihdettava ennen koneen käyttöä.

Kaikki imurin osat ovat turvallisuuden kannalta tärkeitä. Vaihda niitä vain aitoihin Numaticin varaosiin.

Käyttäjän tekemää huoltoa varten kone on purettava, puhdistettava ja huollettava kohtuullisessa määrin aiheuttamatta riskiä huoltohenkilökunnalle ja muille.

Soveltuvia varotoimia ovat dekontaminaatio ennen purkamista, paikallisen suodatetun ilmanvaihdon valmistelu laitteen purkupaikkaa varten, huoltoalueen puhdistus ja sopivat henkilösuojaimet.

Luokan H koneiden ulkopinta on puhdistettava imurilla ja pyyhittävä puhtaaksi tai käsiteltävä tiivisteaineella ennen kuin se viedään pois vaaralliselta alueelta. Lisäksi pölyn leviäminen on estettävä asianmukaisilla toimilla. (HSE-riskiarviointi tarvitaan).

Pätevän henkilön on tehtävä vähintään kerran vuodessa tekninen tarkastus, jossa esimerkiksi tarkastetaan suodatimet vaurioiden varalta, koneen ilmatiiviyys ja ohjausmekanismin asianmukainen toiminta.

Muös suodatusteho on testattava vähintään kerran vuodessa tai useamminkin kansallisten vaatimusten mukaisesti. Testaustavat, joilla voidaan varmistaa koneen suodattimen teho, on määritetty standardin EN 60335-2-69 liitteessä AA (AA22.201.2). Jos testi epäonnistuu, se on toistettava uudella suodattimella.

HEPA-suodattimien vaihtaminen.

Irrota imurin yläosa ja siirrä se turvalliseen paikkaan.

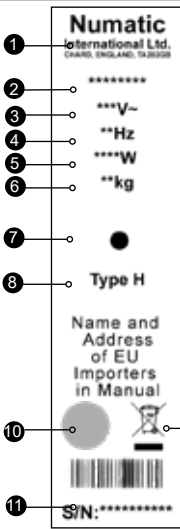
Irrota koneen yläosan alapuolella/torjuntahävittäjä olevat 4/6 M5 x 10 -ruuvia, jotta näet HEPA-suodattimen.

Irrota likainen HEPA-suodatin, laita se sopivaan tiiviiseen muovipussiin ja hävitä säädösten mukaisesti. Vaihda HEPA-suodatin samanlaiseen hyväksytyyn osaan.

Kokoa kone päinvastaisessa järjestyksessä. (Ruuvin kiristysmomentti on 2,5 Nm).

Tarkista samalla huolellisesti kaikki liitososien väliset tiivisteet ja tarkista, ettei niissä ole vaurioita.

Jos tiivisteitä ovat vaurioitunut, ota yhteys koneen valmistajaan ja hyväksytyyn varaosaan hankkimiseksi.



Mærkat

| | |
|----|--|
| 1 | Virksomhedens navn og adresse |
| 2 | Model |
| 3 | Spænding/ vekselstrøm |
| 4 | Frekvens |
| 5 | Nominel indgangseffekt |
| 6 | Vægt |
| 7 | Indikator for lav gennemstrømning* (hvis relevant) |
| 8 | Fareklassificering |
| 9 | WEEE-logo |
| 10 | Godkendelsesmærke |
| 11 | Maskinens år/ uge-serienummer |

Dagligt

Hold maskinen ren, herunder slanger og rør.
Sørg for, at posen og fi lteret er monteret.
Udfør regelmæssig kontrol af strømledning.
Kontroller støvsugerposen regelmæssigt.
Kontroller, at fi ltrene er rene.

Ugentligt – som dagligt og desuden:

Kontroller, om der er slidte eller beskadigede dele, og udskift dem øjeblikkeligt.
Må ikke damprenses eller højtrykrenses.

Vedligeholdelse

WEEE-lovgivning

Støvsuger, tilbehør og emballage bør sorteres med henblik på miljøvenlig genanvendelse.

(kun for EU-lande)

Bortskaf ikke støvsugeren i almindeligt husholdningsaffald! I henhold til det europæiske direktiv 2012/19/EF om affald af elektrisk og elektronisk udstyr og indførelse af direktivet i national lovgivning.

Støvsugere, der ikke længere er egnede til brug, skal indsamles separat og sendes til genanvendelse på en miljøvenlig måde.

**PV (personlige værnemidler), der evt. er påkrævet til visse opgaver.**

| | | | | |
|-----------------|------------------|---|----------------------|--------------------------------|
| | | | | |
| Høreværn | Sikkerhedsfodtøj | Hovedværn | Beskyttelseshandsker | |
| | | | | Forsigtighedsadvarsel til gulv |
| Øjenbeskyttelse | Beskyttelsestøj | Beskyttelse mod støv/ allergifremkaldende stoffer | Refl eksjakke | |

Bemærk:

Der skal foretages en risikovurdering for at beslutte, hvilke personlige værnemidler der bør anvendes.

Kritiske sikkerhedskomponenter

Strømledning:

H05VV-F 10m x 3 Core x 1.0mm²

ADVARSEL

Læs betjeningsvejledningen, før du tager maskinen i brug.
Operatør skal have fyldestgørende instruktioner om korrekt anvendelse af denne maskintype.

Som med alt elektrisk udstyr skal der altid udvises omhu og opmærksomhed under brug. Det skal også sikres, at rutinemæssig og forebyggende vedligeholdelse udføres regelmæssigt for at garantere sikker drift.

Manglende nødvendig vedligeholdelse, herunder udskiftning af reservedele i henhold til den korrekte standard, kan betyde, at udstyret ikke er sikkert, og producenten kan ikke pådrage sig ansvar i denne henseende.

Denne maskine er kun til TØR BRUG og må ikke opbevares udendørs eller anvendes under våde forhold.

Maskinen skal frakobles fra ledningsnettet ved at tage stikket ud af stikkontakten under rengøring eller vedligeholdelse, og når der udskiftes reservedele, eller når maskinen konverteres til en anden funktion.

Denne maskine må ikke anvendes af børn eller personer med svækkede fysiske, sensoriske eller mentale evner eller af personer uden relevant erfaring og viden.

Hold øje med, at børn ikke leger med maskinen
Denne maskine er ikke legetøj.

FORSIGTIG

Sørg for, at det filtreringssystem, der er monteret på maskinen, er beregnet til det materiale, der opsamles.

Denne maskine er kun beregnet til indendørs brug.
Denne maskine må kun opbevares indendørs.

BEMÆRKNINGER

Denne maskine er beregnet til erhvervsbrug, f.eks. på hoteller, skoler, hospitaler, fabrikker, forretninger og kontorer.

Dette produkt overholder kravene i paragraf 20 af EN 60335-2-69 Stabilitet og mekaniske farer.

DU SKAL

- Holde maskinen ren.
- Holde filtrene rene.
- Anvende filterposer. De forbedrer ydelsen og er med til at holde maskinen ren.
- Bruge originale Numatic-filterposer under forhold med fint støv.
- Holde slanger og rør rene.
- Udskifte slidte eller beskadigede dele øjeblikkeligt.
- Udføre regelmæssig kontrol af strømledningen. Hvis der konstateres skade, som f.eks. revnedannelse eller ældning, skal strømledningen udskiftes af en kvalificeret person ved brug af den korrekte originale Numatic-reservedel.
- Udskifte støvsugerposen regelmæssigt.
- Kun anvende de børster, der leveres med maskinen. Brug af andre børster kan forringe sikkerheden.
- Sørge for kun at udskifte strømledningen med den korrekte reservedel, der er godkendt af Numatic.

DU MÅ IKKE

- Lade den roterende børste komme i kontakt med netledningen (hvor de roterende børster sidder).
- Trække i kablet for at frakoble maskinen fra strømforsyningen.
- Bruge maskinen til opsugning af varm aske eller antændte cigaretskod.
- Bruge damprensere eller trykvaskere til rengøring af maskinen eller bruge den i regnvejrr.
- Nedsænke maskinen i vand under rengøring.
- Forsøge at rengøre eller vedligeholde maskinen, medmindre strømstikket er taget ud af stikkontakten.
- Under nogen omstændigheder anbringe fremmedlegemer, herunder (men ikke begrænset til) luffraskere, luftfriskningskapsler eller duftkugler af nogen type, i maskinens øverste filter. Dette kan være farligt og medføre beskadigelse af maskinen og samtidig resultere i bortfald af garantien.

VIGTIGE BRUGEROPLYSNINGER

Før brug skal operatører af denne maskine have oplysninger, instruktion og oplæring i brugen af maskinen og de stoffer, som den skal anvendes til, herunder fremgangsmåden til sikker bortskaffelse af indsamlet materiale.

Støvbeholderen skal tømmes efter behov, men også efter hver brug.

Denne støvsuger har en lampe, der lyser, når lufthastigheden falder til under et forudindstillet niveau, hvilket angiver, at posen skal skiftes.

Denne maskine er ikke egnet til tilslutning til støvproducerende maskiner.

Alle filtre, inklusive posen, skal være ubeskadigede og være isat korrekt, inden maskinen kan anvendes sikkert.

FORSIGTIG:

Denne maskine er kun til tør brug og må ikke bruges eller opbevares udendørs under våde forhold.

Indsug ikke varme gløder eller støv eller andre antændelsesfarer

Træk ikke i strømkablet for at flytte maskinen.

ADVARSEL:

1. Denne maskine må kun betjenes af autoriseret personale med tilstrækkelig oplæring.
2. Denne maskine eller dens tilbehør må ikke modificeres.
3. Maskinen må ikke opbevares eller anvendes i våde omgivelser.
4. Lad ikke støvopsamlingsposen (NVM-2BH) blive så fuld, at den reducerer støvsugerens effektive opsamling. (Lampen lyser ved de forudindstillede lufthastighedsniveauer < 16 m/s).
5. Brug kun støvopsamlingsposen (NVM-2BH) én gang.
6. Denne maskine må kun repareres af autoriseret personale med tilstrækkelig oplæring.
7. Brug kun originale reservedele fra Numatic International Ltd til reparationer.
8. Denne maskine må ikke installeres som et fast udsugningssystem eller køre uden opsyn.
9. Det essentielle filterelement må ikke genbruges, efter det er taget ud af maskinen.

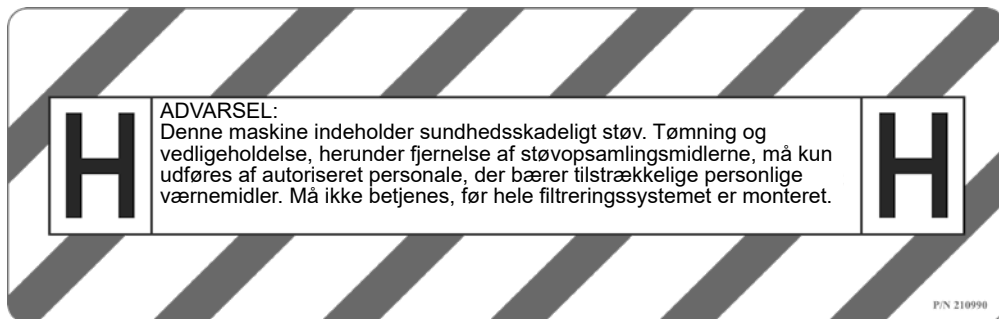
Operatører skal overholde alle relevante sikkerhedsforskrifter for de materialer, der håndteres.

Maskinen må kun anvendes til tør brug.

KLARGØRING TIL IBRUGTAGNING

Pak udstyret ud, og identificer hvert element fra følgesedlen.

Kontrollér, at oplysningerne stemmer overens med oplysningerne på "ydelsesskiltet", der er monteret på hovedenheden.



Installation/fjernelse/bortskaffelse af støvposen.

Støvposen, der indeholder støv og snavs, må kun fjernes og udskiftes af autoriseret personale med tilstrækkelige personlige værnemidler på et specificeret område til renselse af skadelige stoffer.

Betjen aldrig systemet, uden at det fulde filtreringssystem er monteret.

Bortskaffelsesproces:

Frakobl slangen, monter støvhætten på slangeflangeren, og hægt de to nederste vippeklemmer af.

Fjern stoffilteret (A) i tromlen. Fjern støvposen fra slangeflangeren indeni tromlen, og forsegl støvposehullet.

Anbring støvposen i en uigennemtrængelig plastikpose, og forsegl posen.

Bortskaf plastikposen på en passende måde alt efter forureningsgrad. Side 4

Monter en ny støvpose over slangeflangeren inden i tromleenheden. Monter stoffilteret (B) og hovedet.

VEDLIGEHOJDELSE

Alle maskindele skal betragtes som forurenede, når de fjernes fra det farlige område, og der skal træffes passende foranstaltninger for at forhindre, at støvet spredes.

Afbryd strømforsyningen under rengøring, vedligeholdelse eller ved udskiftning af dele. Sørg for, at stikket er taget ud af stikkontakten.

Vedligeholdelse skal udføres i et egnet ufarligt område med faciliteter til rengøring af området og med passende ventilation efter endt eftersyn.

Vedligeholdelses- og rengøringsarbejde skal altid udføres af kvalificeret, autoriseret personale, der er udstyret med tilstrækkelige personlige værnemidler.

Stoffilteret skal tages ud og kontrolleres for forureningsgrad samt for beskadigelse af stof eller pakninger. Hvis stofforseglingen er beskadiget eller meget forurenet, skal den udskiftes. Hvis den kun er let forurenet, skal den tørres af eller vaskes med et mildt rengøringsmiddel (sørg for, at den er tør, før den genmonteres).

Genstande, der ikke kan rengøres tilstrækkeligt (f.eks. filtre), skal bortskaffes i en uigennemtrængelig plastikpose og bortskaffes i overensstemmelse med gældende bestemmelser. Udskift de dele, der ikke kan rengøres tilstrækkeligt med godkendte reservedele fra producenten.

Sørg for regelmæssigt at undersøge strømledningen for skader, såsom revner eller ældning. Hvis der konstateres skader, skal ledningen udskiftes før yderligere brug.

Alle dele af denne støvsuger har væsentlig indflydelse på sikkerheden og må kun udskiftes med originale reservedele fra Numatic.

Ved brugereftersyn skal maskinen adskilles, rengøres og synes, så vidt det er praktisk muligt, uden at det medfører fare for vedligeholdelsespersonalet og andre.

Passende forholdsregler omfatter fjernelse af forurening før afmontering, fremskaffelse af lokal filtreret udstødningsventilation, hvor maskinen adskilles, rengøring af vedligeholdelsesområdet og tilstrækkelige personlige værnemidler.

Ved maskiner i klasse H skal ydersiden af maskinen renses ved hjælp af metoder til rengøring af støvsugere og tørres af eller behandles med et tætningsmiddel, før den tages ud af det farlige område og passende foranstaltninger træffes for at forhindre, at støvet spredes. (HSE-risikovurdering nødvendig).

En kompetent person skal mindst én gang om året foretage en teknisk inspektion, der f.eks. omfatter inspicering af filtre for skader, maskinens lufttæthed og korrekt funktion af kontrolmekanismen.

Filtreringseffektiviteten skal også testes mindst én gang om året eller oftere, alt efter nationale krav. De testmetoder, der kan anvendes til at kontrollere maskinens filtereffektivitet, er angivet i EN 60335-2-69 bilag AA (AA22.201.2). Hvis testen ikke består, skal den gentages med et nyt essentielt filter.

Processen for udskiftning af HEPA-filtre.

Fjern hovedenheden, og anbring den i et sikkert område.

Skrue de 4/6 M5 x 10-skrue på undersiden af maskinhovedet /interceptor af, så HEPA-filteret blotlægges.

Fjern det forurenede HEPA-filter, og anbring det i en passende uigennemtrængelig plastikpose, og bortskaf det i overensstemmelse med gældende bestemmelser.

Udskift HEPA-filteret med et identisk godkendt filter

Saml maskinen igen i omvendt rækkefølge. (Skruemoment 2,5 Nm).

Under denne proces skal du se omhyggeligt på alle pakninger mellem de sammenstødende dele og kontrollere for eventuelle skader.

Hvis pakningerne er blevet beskadiget, skal du kontakte producenten af maskinen for at modtage godkendte reservedele.

| 1 | 2 | 3 | 4 | 5 | 6 |
|---|-------------|---------|---------------------------------------|---------------------------------------|--------------|
| Type H | 220V - 240V | 50/60Hz | 16L/sec (57.6 m ³ /min) | 33 L/s (118.8 m ³ /min) | 260 mbar/hPa |
| (NB 16L/sec corresponds to an airspeed of 20m/sec in a 32mm pipe) | | | | | |

| 1 | 2 | 3 | 4 | 5 | 6 |
|-----------------|----------|---------------|---------------------------------|--|-----------------------|
| Classification | Voltage | Frequency | Low Flow Operation | Max Flow Rate (In Product) | Maximum Underpressure |
| Kategorie | Spannung | Frequenz | Betrieb bei niedrigem Durchsatz | MAX Durchsatz (im Produkt) | Max. Unterdruck |
| Classification | Tension | Fréquence | Fonctionnement à faible débit | Débit MAX. (entrée de produit) | Dépression max |
| Classificatie | Voltage | Frequentie | Verminderde zuigkracht | MAX debiet (in product) | Max onder druk |
| Classificação | Tensão | Frequência | Operação de baixo fluxo | Taxa de fluxo MAX. (no produto) | Subpressão máxima |
| Classificazione | Tensione | Frequenza | Funzionamento a basso flusso | Portata max (in prodotto) | Pressione max |
| Clasificación | Tensión | Frecuencia | Funcionamiento con caudal bajo | Caudal máximo (en producto) | Presión máxima |
| Klasyfikacja | Napięcie | Częstotliwość | Praca z niskim przepływem | Maks. prędkość przepływu (w produkcie) | Maks. podciśnienie |
| Klassificering | Spänning | Frekvens | lågt flöde | Max. luftflöde (i produkten) | Max. undertryck |
| Luokitus | Jännite | Taajuus | virtauksen merkivalo | SUURIN ilmanvirtaus (koneessa) | SUURIN alipaine |
| Klassifikation | Spænding | Frekvens | lav gennemstrømning | Max Airflow (In Product) | Max Underpressure |

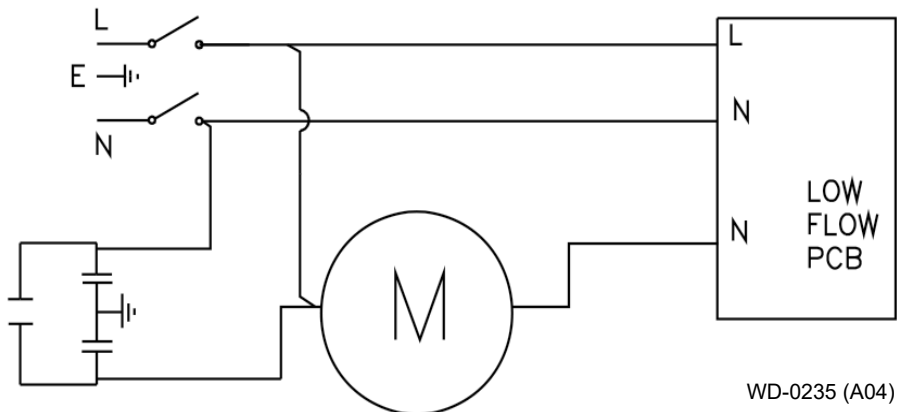
| 1 | 2 | 3 | 4 | 5 | 6 | |
|-----------|------|--------|---------|-------------|---------|---------------------------|
| HZ 370-2 | 15 L | | 11.0 kg | 68.0 dB (A) | Class I | 355 mm x 355 mm x 570 mm |
| HZ 390S-2 | 18 L | 26.0 m | 11.2 kg | 0.5 dB | | 400 mm x 450 mm x 600 mm |
| HZ 390L-2 | 18 L | | 11.2 kg | | | 400 mm x 450 mm x 1010 mm |

| 1 | 2 | 3 | 4 | 5 | 6 |
|---------------------|-----------------------|--|--|----------------------|-------------|
| Drum Size | Cleaning Range | Weight (Ready to work) | Sound Pressure (LpA) Uncertainty (KpA) | Protection Class | Dimensions |
| Kesselgröße | Reinigungsbereich | Gewicht (betriebsbereit) | Schalldruck (LpA) Unsicherheit (KpA) | Schutzklasse | Abmessungen |
| Taille de cuve | Champs d'action | Poids (prêt à l'emploi) | Pression acoustique (LpA) Incertitude (KpA) | Classe de protection | Dimensions |
| Ketel afmeting | Bereik | Gewicht (klaar voor gebruik) | Geluidsdruk (LpA) Onzekerheid (KpA) | Veiligheidsklasse | Afmetingen |
| Tamanho do tambor | Alcance da limpeza | Peso (pronto a utilizar) | Pressão sonora (LpA) Incerteza (KpA) | Classe de protecção | Dimensão |
| Capacità serbatoio | Campo di pulizia | Peso (apparecchio pronto per l'uso) | Pressione sonora (LpA) Incertezza (KpA) | Classe di protezione | Dimensioni |
| Tamaño del cilindro | Alcance de limpieza | Peso (lista para el uso) | Presión sonora (LpA) Incertidumbre (KpA) | Clase de protección | Dimensiones |
| Pojemność bębna | Zasięg czyszczenia | Waga (robocza) | Ciśnienie akustyczne (LpA) Niepewność (kPa) | Klasa ochrony | Wymiary |
| Trumstorlek | Rengöringsområde | Vikt (redo att använda) | Ljudtryck (LpA) Osäkerhet (kPa) | Skyddsklass | Storlek |
| Rummun koko | Puhdistusalue | Paino (käyttövalmiina) | Äänenpaine (LpA) Epävarmuus (kPa) | Suojausluokka | Koko |
| Tromlestørrelse | Rengøringssrækkevidde | Vægt (klar til brug) | Lydtryk (LpA) Usikkerhed (kPa) | Beskyttelsesklasse | Størrelse |

| | | |
|----------|--------|--|
| 1 | 604165 | TriTex Filter |
| 2 | 604016 | 10 x HepaFlo Filter bag NVM 2BH |
| 3 | 908229 | Roll of 10x 120 litre waste bags, Grey |
| 4 | 901649 | H13 Filter Cartridge |

| | 1 | 2 | 3 | 4 |
|----|-----------------|--|---|----------------------------|
| DE | TriTex-Filter | 10 x HepaFlo-Filterbeutel | Abfallbeutel (Rolle) 10 x 120 Liter, Grau | H13 Filterelement |
| FR | Filtre TriTex | 10 sacs filtrants HepaFlo | Rouleau de 10 sacs poubelle de 120 L de couleur grise | Cartouche filtrante H13 |
| NL | TriTex-filter | 10 x HepaFlo-filterzakken | Rol met 10 x 120 liter afvalzakken, grijs | H13-filterpatroon |
| PT | Filtro TriTex | 10 x Saco de filtro HepaFlo | Rolo de 10 x 120 litros sacos do lixo, cinzento | Cartucho do filtro H13 |
| IT | Filtro TriTex | 10 sacchetti filtro HepaFlo | Rotolo di 10 sacchi per rifiuti in plastica da 120 litri, colore grigio | Cartuccia filtrante H13 |
| ES | Filtro TriTex | 10 x bolsa filtrante Hepa-Flo | Rollo de 10 bolsas para residuos de 120 litros, color gris | Cartucho de filtro H13 |
| PL | TriTex Filtr | HepaFlo Worki pytowe NVM 2BH (komplet 10 szt.) | Rolka worków na odpady 10x 120 litrów, szara | Zestaw filtra pyłowego H13 |
| SV | TriTex-filter | NVM-2BH HepaFlo-påsar (10-pack) | Rulle med påsar | H13 Bottenfilter |
| FI | TriTex-suodatin | NVM-2BH HepaFlo-pussit (10 kpl:n pakkaus) | Pussirulla | Pohjasuodatin H13 |
| DA | TriTex-filter | NVM-2BH HepaFlo-poser (10 stk.) | Rulle med poser | H13 Bundfilter |

Schematic Diagram - Schaltplan - Schéma électrique - Bedradingsschema - Diagrama esquemático -
 Schema apparecchio - Esquema eléctrico - Schemat - Schematiskt diagram - Kytentäkaavio - Skematisk diagram



WD-0235 (A04)

Numatic

numatic.com

Affix Label Here

Numatic International Limited (Head Office)

Chard, Somerset TA20 2GB, UNITED KINGDOM
Tel: 01460 68600 numatic.com

Numatic International GmbH

Fränkische Straße 15-19, 30455 Hannover, DEUTSCHLAND
Tel: +49 (0) 511 984 2160 numatic.de

Numatic International Denmark

Fränkische Straße 15-19, 30455 Hannover, DEUTSCHLAND
Tel: +45 (0) 316 40808 numatic-online.dk

Numatic International S.A.S

13/17 rue du Valengelier, EAE la Tuilerie, 77500 Chelles, FRANCE
Tel: +33 (0) 164 726 161 numatic.fr

Numatic International BV

Vennootsweg 15, 2404 CG, Alphen aan den Rijn, NEDERLAND
Tel: +31 (0) 172 467 999 numatic.nl

Numatic International Schweiz AG.

Sihlbruggstrasse 3A, 6340 Baar, SCHWEIZ
Tel: +41 (0) 41 768 0760 numatic.ch

Numatic International (PTY) Ltd.

Cnr. 16th & Pharmaceutical Road, Randjes Park, Midrand 1685, SOUTH AFRICA
Tel: +27 (0) 861 686 284 numatic.co.za

Numatic International ULDA

Rua Francisco da Silva Duarte, nº79,
4475-269 Santa Maria de Avioso, Castelo da Maia, PORTUGAL
Tel: +351 220 047 700 numatic.pt

NUMATIC INTERNATIONAL SPAIN, S.L.U.

Av. Baix Llobregat, 5-7, Oficina bajos 1 (Parc Negocis Mas Blau II),
08820 El Prat de Llobregat (Barcelona) SPAIN
Tel: +34 93 647 22 22 numatic.es

Numatic International Italy S.R.L

Via Luigi Galvani, 2, Z.I. Talponedo, 33080 Porcia (PN), ITALY
Tel: +39 (0) 434 046 211 numatic.it