



AIRBO®

**PROTECTS
YOUR HEALTH**

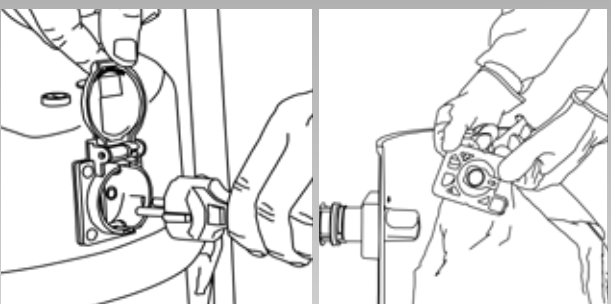
MES 570
MED 570
MES 900
MED 900
MES 570A
MED 570A
MES 900A
MED 900A



AIRBO®

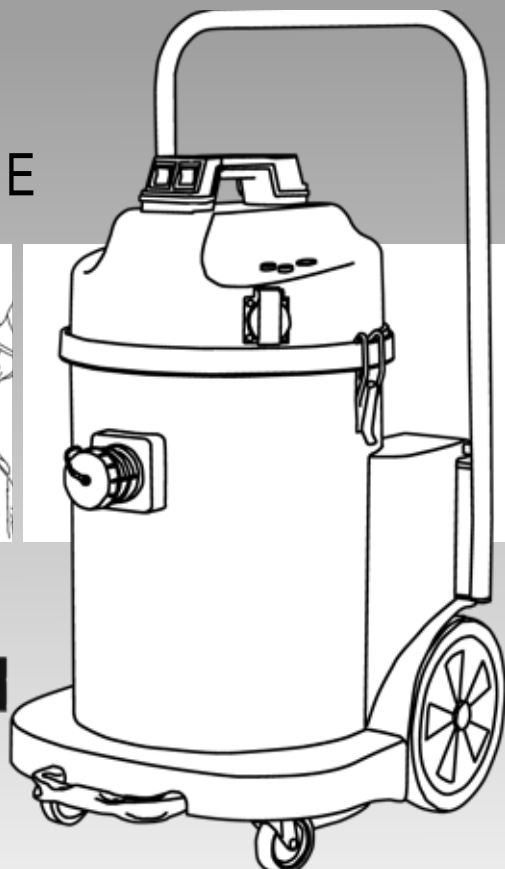
**PROTECTS
YOUR HEALTH**

VACUUM MACHINE



VACUUM FOR DUST FREE WORKING

STOFZUIGER VOOR FIJNSTOF VRIJ WERKEN



Original Instructions

CAUTION, Read instructions before using the machine.

Übersetzung der Original-Bedienungsanleitung

VORSICHT, Vor Verwendung der Maschine bitte die Anleitung lesen.

Traduction du manuel d'utilisation d'origine

AVERTISSEMENT, Lisez la notice avant d'utiliser la machine.

Vertaling van de oorspronkelijke gebruiks aanwijzing

LET OP, Lees deze gebruiksaanwijzing voordat u de machine gebruikt.

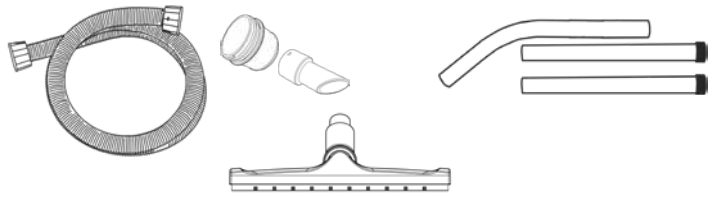


www.numatic.nl

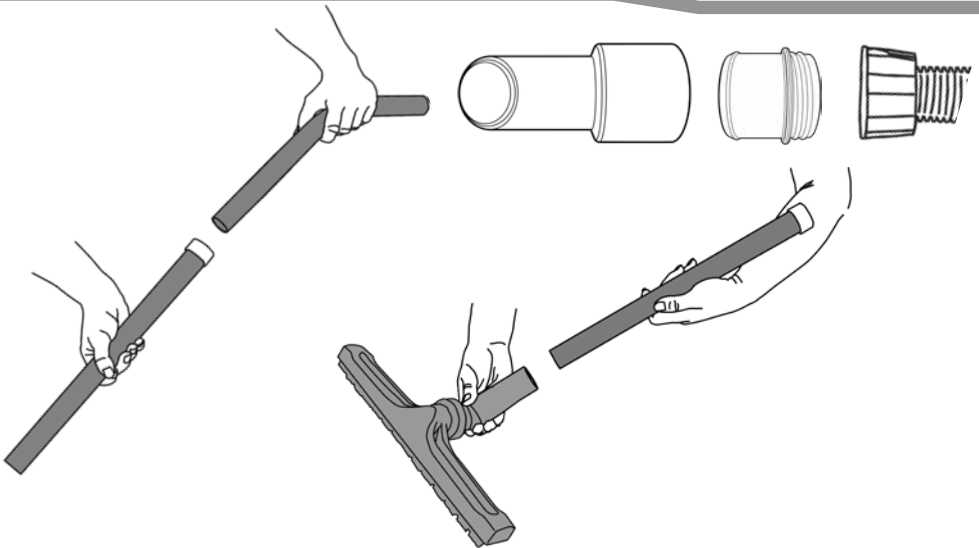
**PLEASE
READ
BEFORE
COMMENCING
OPERATION**

This machine is suitable for DRY use only.

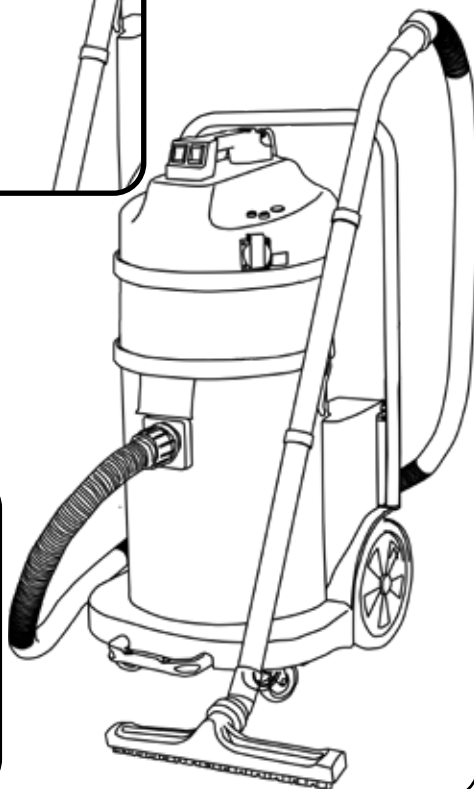
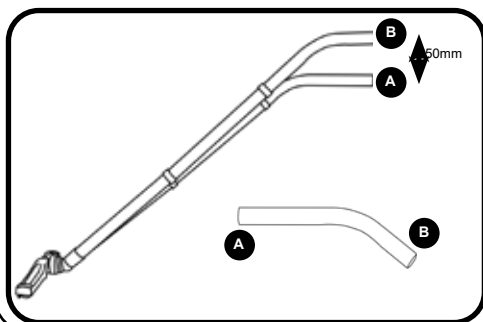
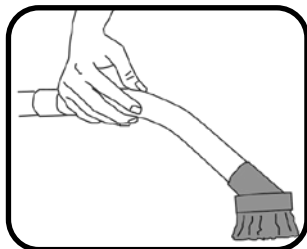
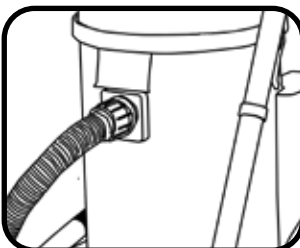
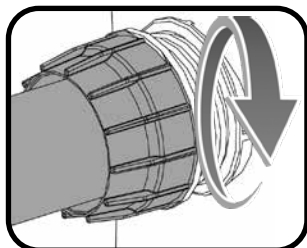
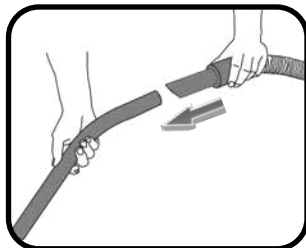
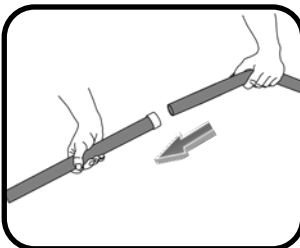
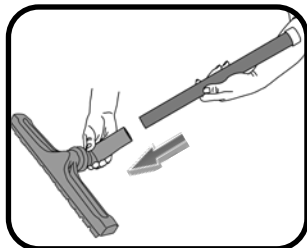
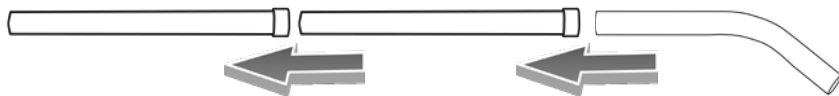
Make sure that the filtration system fitted to the machine is suitable for the material being collected.



Assembly - Zusammenbau - Assemblage - Samenstelling



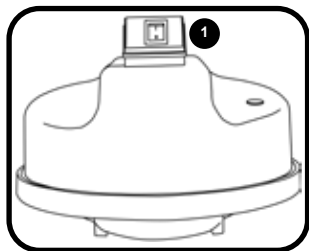
Assembly, Zusammenbau, Assemblage, Samenstellung,
Conjunto, Montaggio, Ensamblaje, Montaż



Using your machine, Arbeiten mit dem Gerät, Utilisation de la machine,
 De machine gebruiken, Utilização da máquina, Uso dell'apparecchio,
 Utilización de la máquina, Działanie maszyny

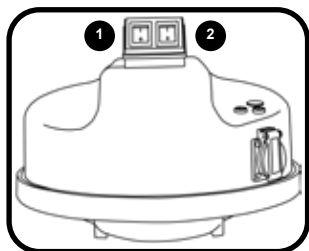


PLEASE READ BEFORE COMMENCING ANY OPERATION



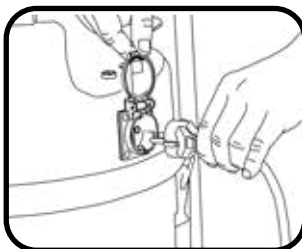
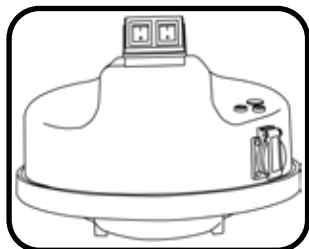
1 On / Off

MES 570 MED 900



1 On / Off
 2 Auto / Manual Switch

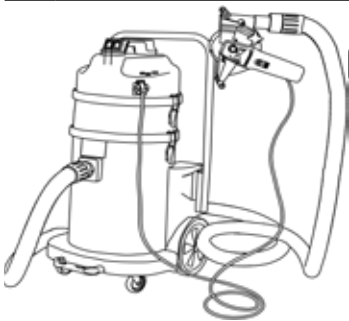
Model	Voltage	Socket Rating
MED570A	220-240V	1750W
MES570A	220-240V	2200W
MED900A	220-240V	1750W
MES900A	220-240V	2200W



MES 570A MED 570A MES 900A MED 900A

EN	MES / MED-A Min. 100W. If the auxiliary socket is overloaded, the machine will cut out. To reset, switch off the machine, then wait for 5 seconds before switching on
DE	MES / MED-A Min. 100W. Wenn die maximale Last an der zusätzlichen Steckdose überschritten wird, schaltet sich das Gerät ab. (Schalten Sie das Gerät aus, um die Platine zurückzusetzen)
FR	MES / MED-A Min. 100W. Si la prise auxiliaire est en surcharge, la machine s'arrête. (Éteignez la machine pour réinitialiser le circuit électronique)
NL	MES / MED-A Min. 100W. Als het maximaal stroomgebruik van 2000W wordt overschreden, zal de machine uitschakelen. Schakel de machine uit om de inschakelautomaat te resetten.

PT	MES / MED-A Min. 100W. Se a tomada auxiliar está em sobrecarga, a máquina pára o seu funcionamento. Para reiniciar, desligar a máquina e esperar 5 segundos antes de a voltar a ligar.
IT	MES / MED-A Min. 100W. Se alla presa ausiliaria arriva un sovraccarico di corrente, la macchina si spegne. Per ripristinarla, spegnere la macchina e attendere 5 secondi prima di riaccenderla.
ES	MES / MED-A Min. 100W. Si la toma auxiliar está sobrecargada, la máquina se parará. Para reiniciar, apague la máquina, luego espere 5 segundos antes de volver a encender
PL	MES / MED-A Min. 100W. Jeżeli gniazdko pomocniczej jest przeciążone, maszyna wyłączy się. Aby dokonać resetu należy wyłączyć maszynę, a następnie odczekać 5 sekund przed jej ponownym włączeniem.
EN	If your appliance fails to operate, ensure that the Auto/Manual switch (2) is in the off position prior to switching the On/Off switch (1) to the On position. Auto Mode - If an external appliance fails to operate when connected to the vacuum auxiliary socket (3) please check and ensure that switch (1) & (2) are in the On position prior to operating the external appliance.
DE	Falls Ihr Gerät nicht funktioniert, stellen Sie bitte sicher, dass sich der automatische/manuelle Schalter (2) in der Position OFF befindet, bevor Sie den Ein-/Aussschalter (1) in die Position ON setzen. Automatikmodus – Falls ein am Nebensteckkontakt des Staubsaugers (3) angeschlossenes externes Gerät nicht funktioniert, stellen Sie bitte sicher, dass sich die Schalter (1) & (2) in der Position ON befinden, bevor Sie das externe Gerät einschalten.
FR	Si votre appareil ne fonctionne pas, assurez-vous que l'interrupteur Auto / Manual (2) est en position d'arrêt avant de placer l'interrupteur On / Off (1) sur la position On. Mode automatique : si un appareil externe ne fonctionne pas lorsqu'il est raccordé à la prise auxiliaire à vide (3), veuillez vérifier et vous assurer que les interrupteurs (1) et (2) sont en position marche avant de faire fonctionner l'appareil externe.
NL	Als uw apparaat niet werkt, zorg er dan voor dat de Automatische/Manuele schakelaar (2) in de uit-stand staat voordat u de Aan/Uit-schakelaar (1) in de Aan-stand zet. Automatische modus - Als een extern apparaat niet werkt wanneer het aangesloten is op de vacuümhulpcontactdoos (3), controleer dan of de schakelaars (1) & (2) in de Aan-stand staan voordat u het externe apparaat bedient.
PT	Se o aparelho não funcionar, certifique-se de que o interruptor Auto/Manual (2) está na posição "Off" (desligado) antes de colocar o interruptor On/Off (1) na posição "On" (ligado). Modo Auto - Se um aparelho externo não funcionar quando ligado à tomada auxiliar do aspirador (3), verifique e certifique-se de que os interruptores (1) e (2) estão na posição "On" (ligado) antes utilizar o aparelho externo.
IT	Se l'apparecchio non funziona, verificare che l'interruttore Auto/Manuale (2) sia in posizione Off e poi portare l'interruttore On/Off (1) in posizione On. Modalità Auto - Se un eventuale apparecchio esterno collegato alla presa di aspirazione ausiliaria (3) non funziona, prima di attivarlo verificare che gli interruttori (1) e (2) siano in posizione ON.
ES	Si el aparato no funciona, compruebe que el interruptor Auto/Manual (2) se encuentre en la posición de apagado (off) antes de conmutar el interruptor de encendido/apagado (On/Off) (1) a la posición de encendido (On). Modo Automático: si un aparato externo no funciona tras ser conectado a la toma auxiliar de vacío (3), verifique que los interruptores (1) y (2) se encuentren en la posición On antes de operar el aparato externo.
PL	Jeśli urządzenie nie działa, upewnij się, że przelącznik Auto/Manual (2) znajduje się w położeniu wyłączonym (Off), przed ustawieniem przelącznika On/Off (1) w pozycji włączony (On). Tryb automatyczny (Auto) - Jeżeli urządzenie zewnętrzne nie działa, po podłączeniu do gniazda pomocniczego (3) odkurzacza, należy sprawdzić, czy przelączniki (1) & (2) znajdują się w pozycji włączony (On) przed uruchomieniem urządzenia zewnętrznego.



ALWAYS ENSURE THAT THE MACHINE IS SWITCHED OFF AND THE PLUG REMOVED FROM THE POWER SUPPLY BEFORE MAKING ANY ADJUSTMENTS

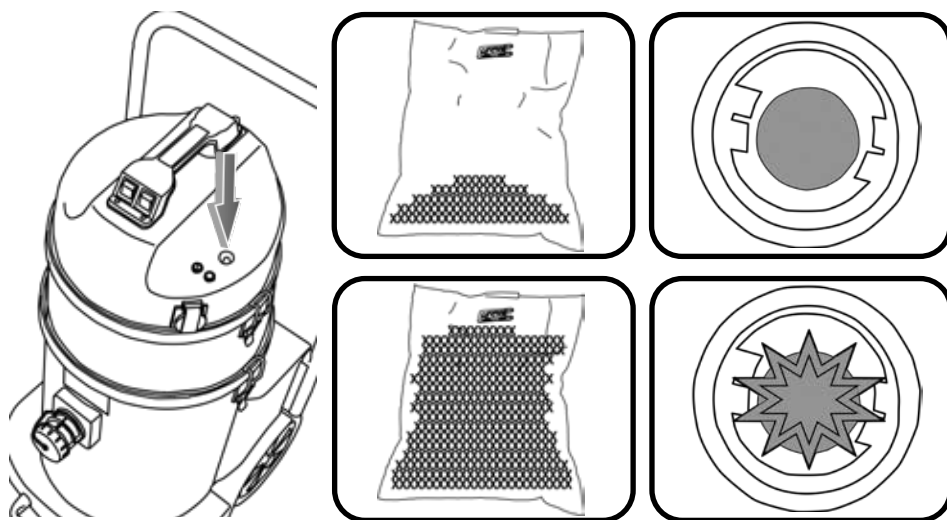


MES 570A / MED 570A

MES900A / MED 900A

230149 10.0amp Time Lag Fuse

Low Flow Warning Light, Warnleuchte Niedriger Durchsatz,
 Voyant d'avertissement de faible débit, Waarschuwingslampje verminderde zuigkracht,
 Luz de aviso de fluxo reduzido, Spia di segnalazione flusso basso, Luz de aviso de caudal bajo, Lampka ostrzegawcza niskiego przepływu



Low flow monitoring
 Slow Repeated Flash.
 The vacuum cleaner is fitted with a warning lamp that will illuminate and flash when the air speed in the suction hose falls below 20m/s.

If problem persists...

Causes	Solution
Suction hose blocked or kinked.	Remove blockage or kink.
Dust collection bag full.	Replace dust bag
Filter clogged or blocked.	Replace filter cartridge.

DE
 Anzeige Niedriger Durchsatz
 Diese Maschine ist mit einer Kontrollleuchte ausgestattet, die aufleuchtet, wenn der Luftdurchsatz nachlässt. Wenn die Kontrollleuchte blinkt, überprüfen Sie Folgendes:

Ursache	Abhilfe
Saugschlauch blockiert oder geknickt.	Blockierung oder Knick beseitigen.
Filter verstopft oder blockiert.	Filterkartusche ersetzen.
Filter verstopft oder blockiert	Filterkartusche ersetzen

FR
 Indicateur de faible débit
 Cet appareil est muni d'un indicateur de faible débit pour montrer que le débit d'air a diminué.
 Si le voyant se met à clignoter, vérifiez les points suivants :-

Cause	Solution
Tuyau d'aspiration bouché ou coudé.	Supprimer le bouchage ou le coude.
Filtre encrassé ou obstrué.	Remplacer la cartouche filtrante.
Filtre encrassé ou obstrué	Remplacer la cartouche filtrante

NL
 Indicator verminderde zuigkracht.
 Dit apparaat is voorzien van een indicator om aan te geven dat de zuigkracht verminderd is.
 Loop onderstaande punten na als het indicatielampje begint te knipperen:

Oorzaak	Oplossing
Zuigslang is verstopt of geknikt.	Ontstop de zuigslang of verwijder de knik.
Filter is verstopt.	Vervang de filterpatroon
Filter is verstopt.	Vervang de filterpatroon

PT
 Indicador de fluxo reduzido.
 Este aparelho está equipado com um indicador de fluxo reduzido.
 Se a luz indicadora estiver a piscar, verifique os seguintes pontos:-

Causa	Solução
Tubo de aspiração bloqueado ou dobrado.	Remove o bloqueio ou a dobragem.
Filtro entupido ou obstruído.	Substitua o cartucho do filtro.
Filtro entupido ou obstruído	Substitua o cartucho do filtro

IT
 Indicatore flusso basso
 L'apparecchio è dotato di un indicatore di flusso basso che segnala una riduzione del flusso d'aria.
 Se l'indicatore lampeggia controllare quanto segue:

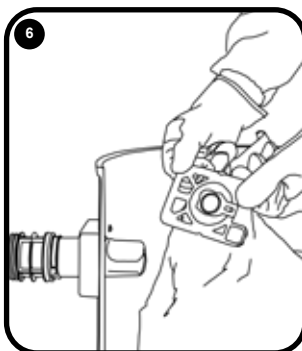
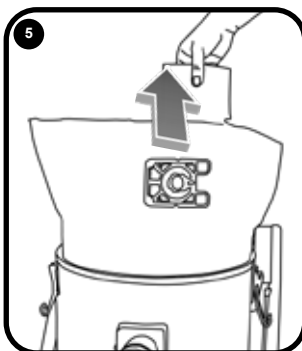
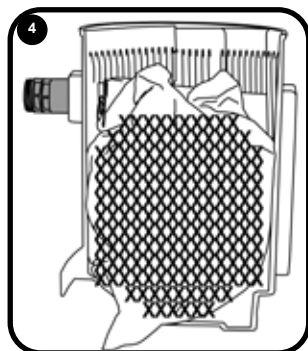
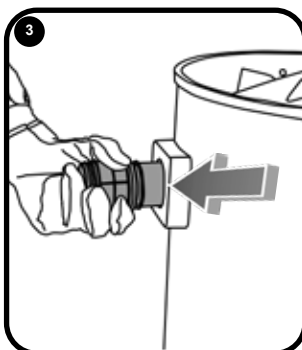
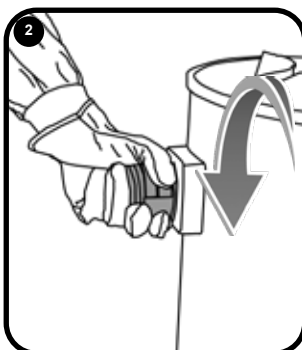
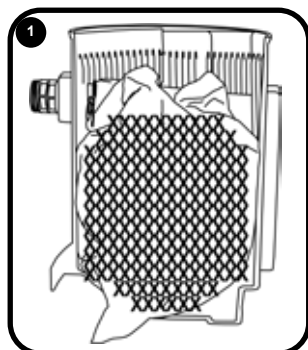
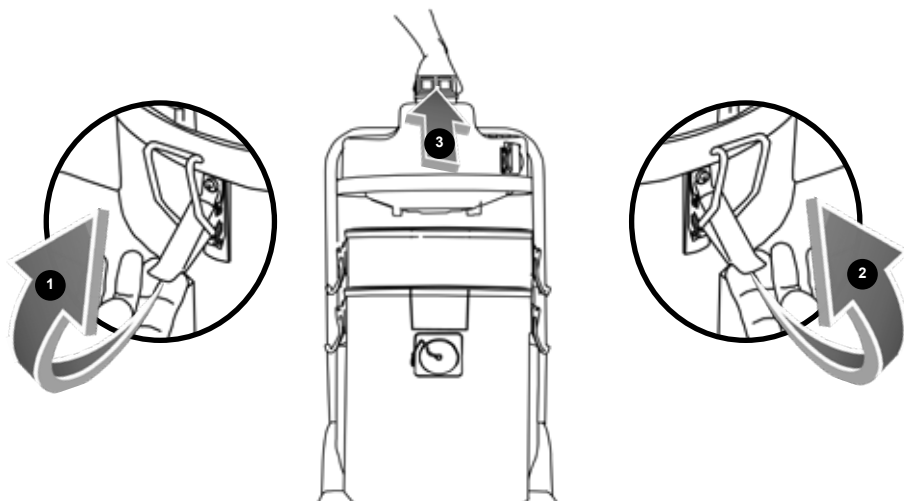
Causa	Soluzione
Flessibile di aspirazione ostruito o attorcigliato.	Rimuovere l'ostruzione o l'attorcigliamento.
Filtro intasato o ostruito.	Sostituire la cartuccia filtrante.
Filtro intasato o ostruito	Sostituire la cartuccia filtrante

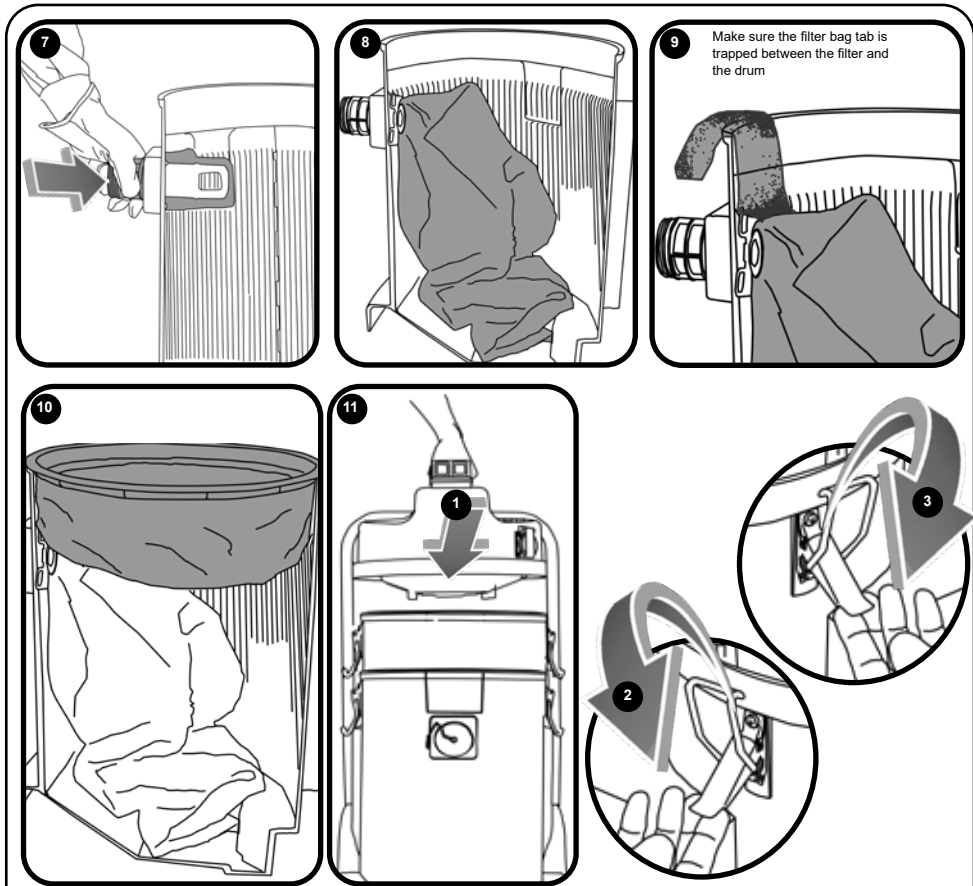
ES
 Testigo de caudal bajo
 Este aparato tiene un testigo de caudal bajo para indicar que se ha reducido el caudal de aire.
 En caso de parpadear el testigo, compruebe los siguientes aspectos:

Causa	Solución
Tubo de aspiración obstruido o doblado	Eliminar la obstrucción o dobléz.
Filtro total o parcialmente obstruido	Sustituir el cartucho filtrante.
Filtro total o parcialmente obstruido	Sustituir el cartucho filtrante.

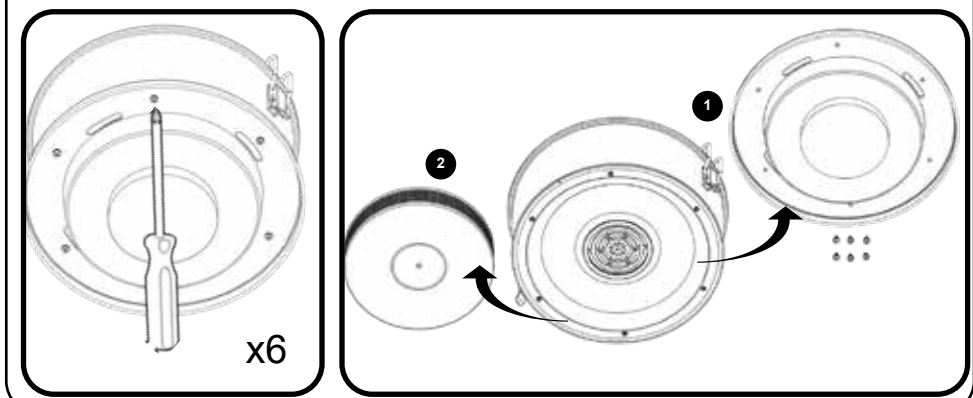
PL
 Monitorowanie niskiego przepływu
 Powolne powtórne miganie.
 Odkurzacz jest wyposażony w lampkę ostrzegawczą, która zapali się i będzie migać, gdy prędkość powietrza w wężu ssącym spadnie poniżej <20m/s.

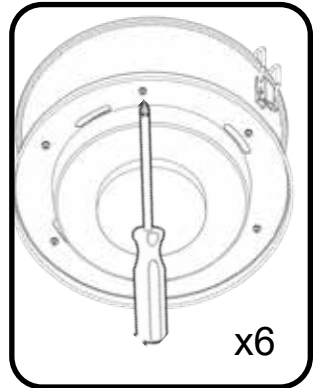
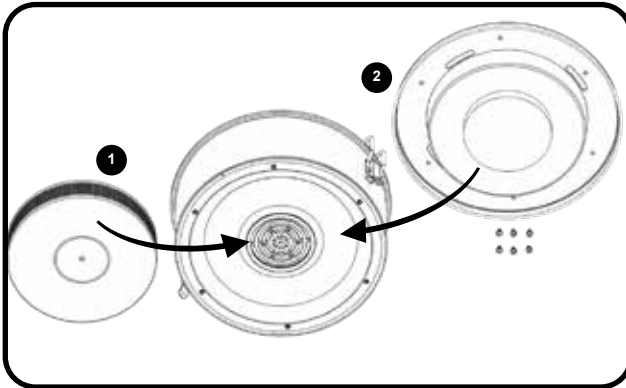
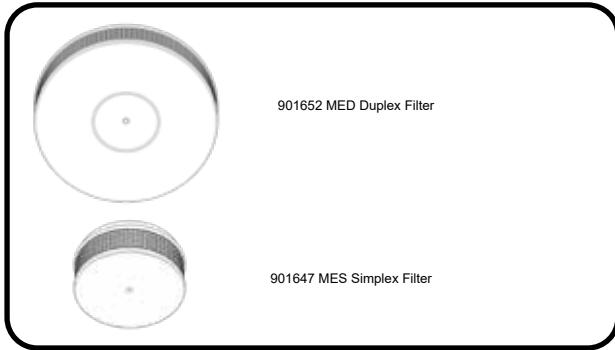
Przyczyny	Rozwiązanie
Zablokowany lub zagięty wąż ssący.	Usunąć blokadę lub wyprostować wąż
Worek do zbierania pyłu jest pełny.	Wymienić worek pyłowy
Wkład filtracyjny jest zatkany lub zablokowany.	Wymienić wkład filtracyjny.





Interceptor





Replacement parts, Ersatzteile, Pièces Détachées ,
 Reserve Onderdelen, Peças de substituição, Ricambi, Repuestos,
 Części zamienne

570 - 23L

Drum Size
 Trommelgröße
 Taille de cuve
 Grootte stofbak

3BH = HepaFlo Bags
 3BM = HepaFlo Bags

900 - 40L

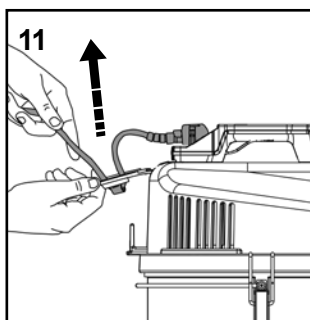
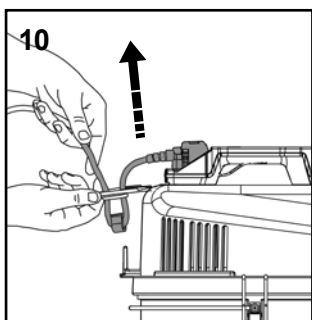
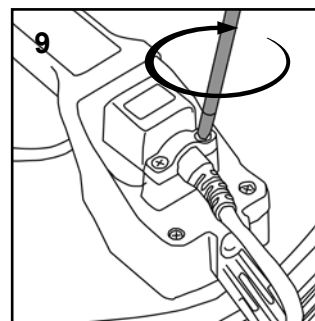
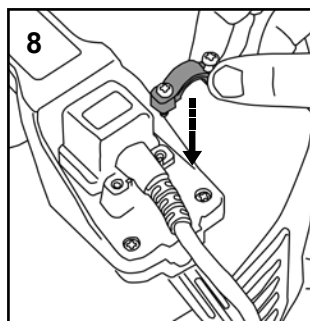
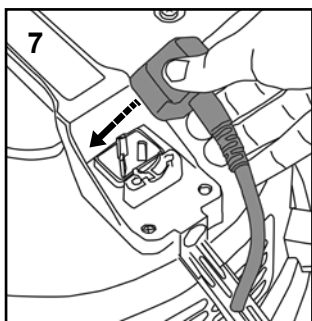
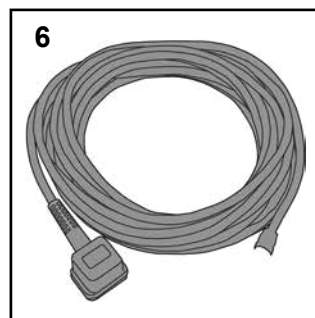
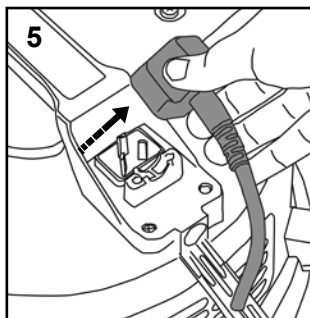
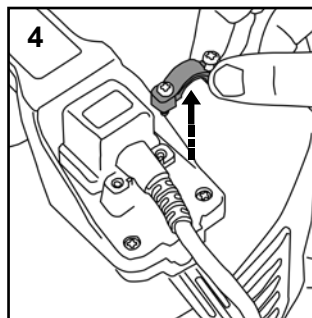
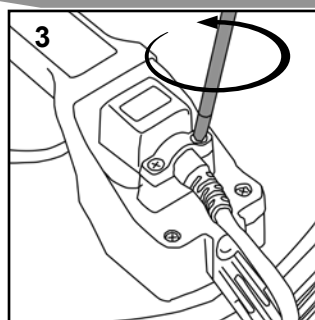
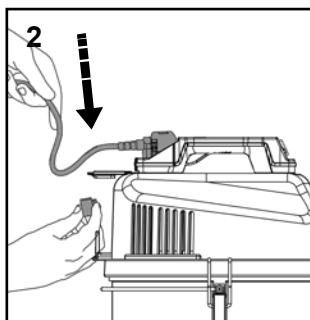
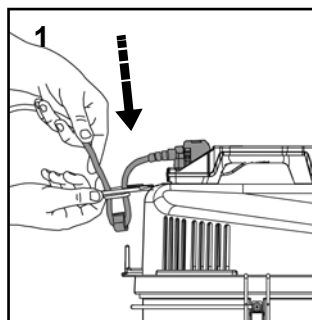
Drum Size
 Trommelgröße
 Taille de cuve
 Grootte stofbak

4BH = HepaFlo Bags
 4BM = HepaFlo Bags

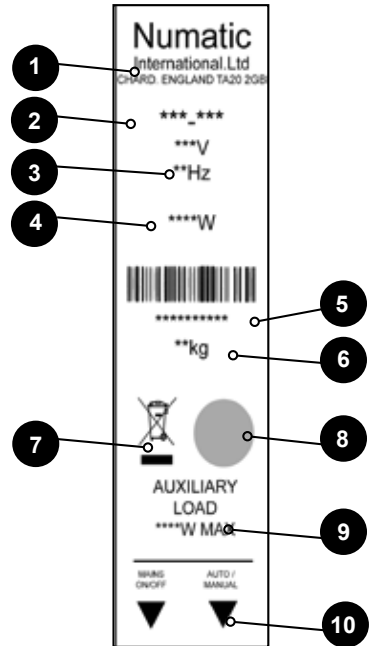
BH	HepaFlo Bag + Permatex Filter
BM	Microflo Bag + Microtex Filter

907816	MES SIMPLEX GREY INTERCEPTOR ASSEMBLY (PLASTIC HEAD)
907814	MED DUPLEX GREY INTERCEPTOR ASSEMBLY (PLASTIC HEAD)
901647	MES 14 INCH SIMPLEX FILTER CARTRIDGE (H13)
901652	MED 14 INCH DUPLEX FILTER CARTRIDGE (H13)
604017	PACK OF 10 3BH HEPAFLO BAGS
604027	PACK OF 5 3BM HEPAFLO BAGS
604019	PACK OF 10 4BH HEPAFLO BAGS
604024	PACK OF 5 4BM HEPAFLO BAGS

Changing / Replacing Cable, Auswechseln des Kabels, Changement/remplacement du câble, Vervangen van de kabel, Mudar/substituir cabo, Cambio/sostituzione del cavo, Cambio del cable, Zmiana / Wymiana kabla



Rating Label	
1	Company Name & Address
2	Machine Description
3	Voltage/Alternating Current/Frequency
4	Power rating
5	Machine yr/wk Serial number
6	Weight (ready to use)
7	WEEE Logo
8	Approvals Mark
9	Max Auxiliary load (if applicable)
10	Switch Identification (if applicable)

**Safety Critical Component:**

Mains Lead
H05VV-F 10m x 3 Core x 1.5 mm²
Fuse 10.0 AMP ANTI SURGE FUSE

WEEE (Waste, Electrical and Electronic Equipment)
Vacuum Cleaner Accessories and packaging should be sorted for environmentally-friendly recycling.

Only for UK/EU countries.

Do not dispose of Vacuum Cleaner into household waste.

According to the European Directive 2012/19/EU on waste electrical electronic equipment and its incorporation into national law, vacuum cleaners that are no longer suitable for use must be separated, collected and sent for recovery in an environmentally-friendly manner.



PPE (personal protective equipment). That may be required for certain operations.

Ear Protection	Safety Footwear	Head Protection	Safety Gloves	
Eye Protection	Protective Clothing	Dust / Allergens Protection	Hi Viz Jacket	
Caution Floor Sign				

NOTE: A risk assessment should be conducted to determine which PPE should be worn.

WARNING!

Read the instruction manual before using the machine.

Operators shall be adequately instructed on the use of their machine.

As with all electrical equipment, care and attention must be exercised at all times during use, in addition to ensuring that routine and preventative maintenance is carried out periodically to ensure safe operation.

Failure to carry out maintenance as necessary, including the replacement of parts to the correct standard could render this equipment unsafe and the manufacturer can accept no responsibility in this respect.

Maintenance should only be carried out by a qualified person.

This machine is for DRY USE only and must not be stored outside or used in wet conditions.

The machine shall be disconnected from the mains power by removing the plug from the power supply socket during cleaning or maintenance and when replacing parts or converting the machine to another function.

Only use the socket outlet on the machine for purposes specified in the instructions.

This machine is not to be used by children or persons with reduced physical, sensory or mental capabilities, or lack of experience or knowledge.

This appliance is intended to be cleaned and maintained by an adult.

Children being supervised are not to play with the machine.

This machine is not a toy.

This machine is not suitable for picking up biological hazards or explosive dust.

Contact your local distributor if you require a machine capable of performing these tasks.

CAUTION

Ensure that the filtration system fitted to the machine is suitable for the material being collected.

This vacuum cleaner is intended for indoor use in the collection of dry materials.

This machine should be stored indoors only.

NOTES

This product complies with the requirements of clause 20 of IEC/EN 60335-2-69 Stability and Mechanical Hazards.

This machine is also suitable for commercial use, for example in hotels, schools, hospitals, factories, shops, rental businesses and offices for other than normal housekeeping purposes.

This vacuum cleaner is fitted with a thermal protection device. If the vacuum cleaner stops

working, remove the plug from the wall before investigating where the fault lies.

If the vacuum cleaner has a blockage, switch off, remove the plug from the power socket, inspect the floor tool, tubes and hose for debris. If the floor tool, tubes and hose are clear, replace the dust bag and clean the filter.

The vacuum cleaner should be inspected after use for damage.

The vacuum cleaner should be stored in a dry place.

DO

- Keep your machine clean including hoses and tubes.
- Change dust bag frequently.
- Keep filters clean.
- Keep diffuser filter (where fitted) clean.
- Use filter bags, they will enhance performance and help keep machine clean.
- Keep hoses and tubes clear.
- Replace any worn or damaged parts immediately.
- Only use the brushes provided with the machine. The use of other brushes may impair safety.
- Regularly examine the power cord. If damage is found such as cracking or ageing the power cord must be replaced by a qualified person.
- Only replace the power cord with the correct Numatic approved replacement part.

DO NOT

- Pull on the cable to unplug the machine from the power supply.
- Use to suck up hot ashes or lighted cigarette ends.
- Use steam cleaners or pressure washers to clean the machine or use in the rain.
- Immerse in water for cleaning.
- Attempt machine maintenance or cleaning unless the power supply plug has been removed from the supply outlet.
- Do not use in wet environments or to collect wet materials.
- Under any circumstances place foreign objects including (but not limited to) air fresheners, air freshener capsules or scented beads of any type into the top filter of the machine. Doing so can be dangerous and risk damage to the machine and may invalidate the machine warranty.

IMPORTANT USER INFORMATION

Before use operators shall be provided with information, instruction and training for the use of the machine and the substances for which it is to be used, including the safe method of disposing of material collected.

The dust container has to be emptied when necessary, but also after every time used.

The manufacturer, or an instructed person, shall perform a technical inspection at least annually, consisting of, for example, inspection of filters for damage, air tightness of the machine and proper function of the control mechanism.

For user servicing, the machine shall be dismantled, cleaned and serviced, as far as is reasonably practicable, without causing risk to the maintenance staff and others. Suitable precautions include decontamination before dismantling,

provision for local filtered exhaust ventilation where the machine is dismantled, cleaning of the maintenance area and suitable personal protection.

This vacuum cleaner has a lamp that illuminates when air velocity drops below a < 20 m/s, which indicates that the bag must be changed.

All filters including the bag must be undamaged and in correct position before this machine can be used safely.

Extraction from electric power tools can be controlled by an integral automatic electronic switch-on / shut-off - Auto Start Feature

WARNING:

1. This machine must only be operated by suitably trained and authorised personnel.
2. This machine or its accessories must not be modified.
3. The machine must not be stored or used in a wet environment.
4. Do not allow the dust collection bag to become so full as to reduce the effective pick-up of the vacuum.
(Lamp will illuminate at preset air velocity levels < 20 m/s).
5. Only use the dust collection bag once.
6. This machine must only be repaired by suitably trained and authorised personnel.
7. Only use genuine Numatic International Ltd spare parts, for repairs.
8. This machine must not be installed as a fixed extraction system or run unattended.
9. Do not re-use the essential filter element after removal out of the machine.

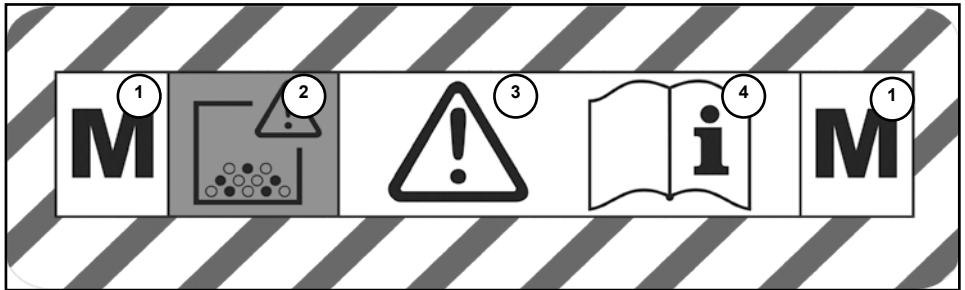
Operators should observe any safety regulations appropriate to materials being handled.

This machine is for dry use only.

PREPARATION FOR USE

Unpack and identify each item of equipment from the delivery note.

Check that the details given match the information on the "rating plate" mounted on the head assembly.



Label Explained

- | | |
|---|--|
| 1 | M type Vacuum Cleaner |
| 2 | Caution, debris contained inside the vacuum cleaner could be hazardous to health |
| 3 | Caution! |
| 4 | Read instructions before use |

Warning

This machine contains dust hazardous to health. Emptying and maintenance operations, including removal of the dust bag, must only be carried out by trained personnel, who are familiar with the machine and

wearing suitable personal protective equipment. DO NOT operate without the full filtration system fitted.

For M class machines, outside of the machine should be decontaminated by vacuum cleaning methods and wiped clean or treated with sealant before being taken out of a hazardous area.

Installation / Removal / Disposal of the dust bag/ cartridge filter.

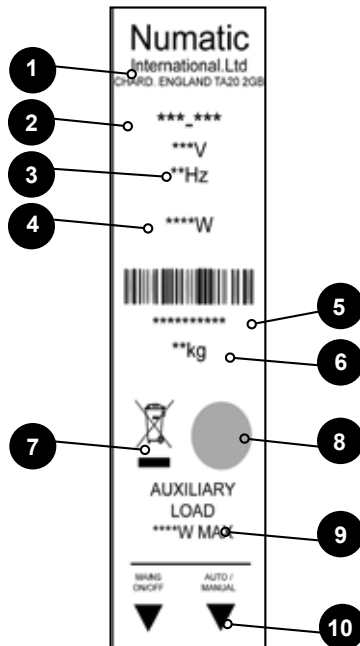
The dust bag/ cartridge filter holding the dust and debris must be removed and renewed by authorised personnel only, wearing appropriate personal protective equipment, in a specified de-contamination area.

Never operate without the full filtration system in place.

Remove the cloth filter in the drum. Remove the dust bag from the hose flange inside the drum and seal the dust bag hole. Place the dust bag cartridge filter inside an impervious plastic bag and seal the bag.

Dispose of the plastic bag, depending on contamination, in an appropriate manner.

Produktplakette	
1	Name und Adresse Unternehmen
2	Machine Description
3	Spannung / Wechselstrom / Frequenz
4	Leistung
5	Gerät Jahr/Woche Seriennummer
6	(Nutz-) Gewicht
7	WEEE Logo
8	Zulassungszeichen
9	Max. zusätzliche Last (falls zutreffend)
10	Schalterkennzeichnung (falls zutreffend)



Sicherheitsrelevante Bestandteile
 Stromversorgung:
 H05VV-F 10m x 3 Core x 1.5 mm²
 Fuse 10.0 AMP ANTI SURGE FUSE

WEEE-Richtlinie

Staubsauger, Zubehör und Verpackung müssen getrennt entsorgt werden, um ein umweltfreundliches Recycling zu ermöglichen.

(Für UK/EU-Länder gilt)

Entsorgen Sie Staubsauger nicht im Hausmüll! - gemäß EU-Richtlinie 2012/19/EU über die Entsorgung von Elektro- und Elektronikgeräten sowie deren Umsetzung in nationales Recht, staubsauer, die nicht mehr verwendet werden können, sind getrennt zu sammeln und zur umweltfreundlichen Entsorgung abzugeben. In Deutschland sind das i.d.R. Sammelstellen beim örtlichen Entsorger.



PSA (Persönliche Schutzausrüstung), kann für bestimmte Verwendung des Geräts erforderlich sein.

Ohrschutz	Sicherheitsschuhe	Kopfschutz	Sicherheitshandschuhe	
				Hinweisschild „Achtung Rutschgefahr“
Augenschutz	Schutzkleidung	Staub- Allergieschutz	Warnjacke	

Hinweis: Eine Risikoauswertung ist vom Betreiber des Gerätes anhand der örtlichen Gegebenheiten vorzunehmen, um die erforderliche Schutzausrüstung festzulegen.

WARNUNG!

Lesen Sie unbedingt die Anleitung vor Inbetriebnahme des Geräts sorgfältig durch.

Benutzer müssen gründlich in den Gebrauch dieser Geräte eingewiesen werden. Wie bei allen elektrischen Geräten ist während der Benutzung jederzeit Vorsicht und Aufmerksamkeit geboten. Darüber hinaus muss zur Gewährleistung eines sicheren Betriebs in regelmäßigen Abständen eine laufende und vorbeugende Wartung durchgeführt werden.

Bei Unterlassung notwendiger Wartungsarbeiten, einschließlich der Reinigung des Gerätes, des Ersetzens von fehlerhaften Teilen durch korrekte Standardteile, kann die Sicherheit des Geräts beeinträchtigt werden, und der Hersteller kann in dieser Hinsicht keine Verantwortung oder Haftung übernehmen.

Das Gerät ist ausschließlich als TROCKENSAUGER zu verwenden.

Bei Reinigung und Wartung, beim Ersetzen von Teilen müssen Sie das Gerät durch Ziehen des Netzsteckers von der Stromversorgung trennen.

Zusammenbau, Reinigung und Wartung für dieses Gerät sind von einer erwachsenen Person vorzunehmen.

Dieses Gerät ist nicht für die Aufnahme von biologischen Gefahrenstoffen und gefährlichem oder explosivem Staub geeignet. Wenden Sie sich an Ihren Händler vor Ort, wenn Sie ein Gerät benötigen, das für solche Aufgaben geeignet ist.

Dieses Gerät ist kein Spielzeug und darf von Kindern nicht benutzt werden.

Dieses Gerät darf nicht von Kindern oder Personen mit eingeschränkten physischen, sensorischen

oder mentalen Fähigkeiten bzw. mangelnden Erfahrungen oder Kenntnissen betrieben werden.

Es muss sichergestellt werden, dass das Netzkabel die Rotationsbürsten (falls vorhanden) nicht berührt.

VORSICHT

Das Gerät darf nicht im Freien gelagert bzw. in einer feuchten Umgebung oder zur Aufnahme feuchter Materialien verwendet werden. Der Staubsauger muss an einem trockenen Platz abgestellt werden.

Er ist nur für den Einsatz im Innenbereich ausgelegt. Es ist darauf zu achten, dass das im Gerät verwendete Filtersystem für das aufgenommene Material geeignet ist.

HINWEIS

Dieses Produkt erfüllt die Anforderungen aus Abschnitt 20 der Norm IEC/EN 60335-2-69 zu Standfestigkeit und mechanischen Gefahren.

Neben der Verwendung in privaten Haushalten ist diese Maschine für den gewerblichen Einsatz, beispielsweise in Hotels, Schulen, Krankenhäusern, Fabriken, Läden und Büros, geeignet.

Wenn der Staubsauger aufhört zu saugen, ziehen Sie zunächst den Netzstecker, bevor Sie untersuchen, worin der Fehler lieg.

Wenn der Staubsauger blockiert ist, schalten Sie ihn aus, ziehen Sie den Netzstecker aus der Steckdose und stellen Sie fest, ob die Saugdüse, das Saugrohr oder der Schlauch verstopft ist. Wenn Saugdüse, Saugrohr und Schlauch frei sind, ersetzen Sie den Staubbeutel, und reinigen Sie den Filter.

Der Staubsauger ist vor jedem Gebrauch auf Beschädigungen zu überprüfen, einschließlich der Zuleitung.

Die Netzkontrollanzeige leuchtet, wenn das Gerät an eine geeignete Stromversorgung angeschlossen ist.

WAS ZU BEACHTEN IST

- Halten Sie das Gerät sauber.
- Halten Sie die Filter sauber.
- Verwenden Sie Filterbeutel. Sie verbessern die Leistung und helfen, das Gerät sauber zu halten.
- Verwenden Sie bei Feinstaub einsatz originale Numatic-Filterbeutel.
- Halten Sie Schläuche und Rohre sauber.
- Ersetzen Sie abgenutzte oder beschädigte Teile unverzüglich.
- Untersuchen Sie regelmäßig das Netzkabel. Wenn Sie eine Beschädigung feststellen, wie z. B. einen Bruch oder alterserscheinungen, muss das Netzkabel von einer dazu qualifizierten Person und unter Verwendung des korrekten Numatic-Originalteils ausgetauscht werden.
- Wechseln Sie den Filterbeutel regelmäßig.
- Verwenden Sie nur Zubehörteile, die im Lieferumfang des Geräts enthalten sind. Durch die Verwendung anderer Zubehörteile kann die Sicherheit beeinträchtigt werden.

WAS ZU UNTERLASSEN IST

- Zum Abrollen oder Trennen der Zuleitung von der Steckdose nicht am Kabel ziehen.
- Saugen Sie weder heiße Asche noch glimmende Zigarettenstummel oder brennbare Gase auf.
- Verwenden Sie keine Dampfreiniger oder Hochdruckreiniger zum Reinigen des Geräts, und tauchen Sie es niemals in Wasser ein.
- Führen Sie keine Wartungs- oder Reinigungsarbeiten am Gerät durch, wenn der Netzstecker noch in der Steckdose steckt.
- Verwenden Sie das Gerät nicht in feuchten Umgebungen bzw. zur Aufnahme feuchter Materialien.
- Lagern Sie das Gerät nicht in einer feuchten Umgebung.
- Legen Sie unter keinen Umständen Fremdkörper wie beispielsweise Lufterfrischer, Duftkapseln oder Duftperlen in den oberen Filter des Geräts. Dies kann gefährlich sein und einerseits Schäden am Gerät verursachen und andererseits dazu führen, dass die Gerätegarantie erlischt.

WICHTIGE BENUTZERINFORMATIONEN

Der Benutzer muss vor der Benutzung über die Verwendung des Geräts und über die aufnehmbaren Stoffe informiert, angewiesen und geschult werden, einschließlich der sicheren Entsorgung des aufgenommenen Materials.

Der Staubbehälter muss bei Bedarf und nach jeder Verwendung geleert werden.

Dieser Staubsauger verfügt über eine Lampe, die aufleuchtet und den erforderlichen Wechsel des Beutels anzeigt, wenn die Luftgeschwindigkeit unter einen voreingestellten Wert fällt.

Dieses Gerät eignet sich nicht für den Anschluss an Staub erzeugende Maschinen.

Alle Filter, einschließlich des Staubsaugerbeutel, müssen vor Inbetriebnahme der Maschine unbeschädigt sowie richtig positioniert sein.

VORSICHT: Das Gerät ist ausschließlich als Trockensauger einzusetzen. Stellen Sie das Gerät nicht im Freien ab, und verwenden Sie es nicht in feuchten Umgebungen.

Vergewissern Sie sich, dass keine glühende Asche oder anderen entzündlichen Materialien eingesaugt werden.

Ziehen Sie nicht am Stromkabel, um die Maschine zu bewegen.

WARNUNG:

1. Das Gerät darf nur durch entsprechend geschulte und befugte Mitarbeiter verwendet werden.
2. Am Gerät und an seinem Zubehör dürfen keine Änderungen vorgenommen werden.
3. Das Gerät darf nicht in einer feuchten Umgebung gelagert oder verwendet werden.
4. Das Füllvolumen des Staubsammelbeutels (NVM-2BH) darf die effektive Aufnahme des Staubsaugers nicht beeinträchtigen. (Die Lampe leuchtet bei einer voreingestellten Luftgeschwindigkeit von < 20 m/s auf.)
5. Verwenden Sie den Staubsammelbeutel (NVM-2BH) nur einmal.
6. Das Gerät darf nur durch entsprechend geschulte und befugte Mitarbeiter repariert werden.
7. Verwenden Sie für Reparaturen nur Original-Ersatzteile von Numatic International Ltd.
8. Dieses Gerät darf nicht als fest installiertes Absaugsystem oder unbeaufsichtigt betrieben werden.
9. Verwenden Sie keinesfalls das Hauptfilterelement, nachdem es aus der Maschine entfernt wurde.

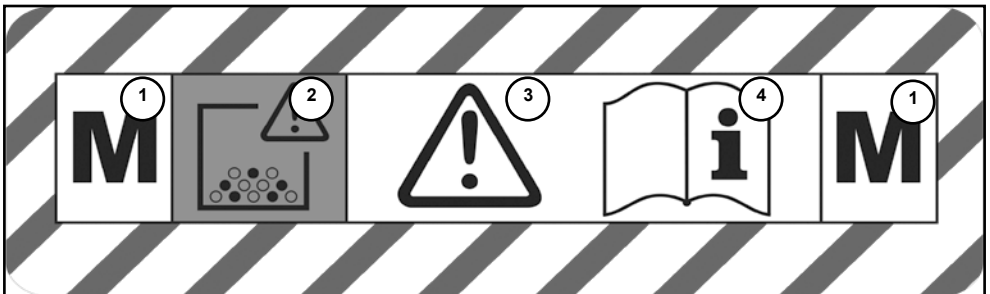
Die Benutzer müssen bezüglich der aufgenommenen Materialien alle Sicherheitsbestimmungen beachten.

Dieses Gerät ist ausschließlich als Trockensauger zu verwenden.

VORBEREITUNG AUF DIE VERWENDUNG

Packen Sie alle Teile aus und vergleichen Sie diese mit dem Lieferschein.

Vergewissern Sie sich, dass die angegebenen Daten den Angaben auf dem Typenschild der Baugruppe entsprechen.



Aufkleber (Legende)

1. Staubsauger Typ M
2. Vorsicht! Ablagerungen im Staubsauger könnten gesundheitsschädlich sein.
3. Vorsicht!
4. Vor Gebrauch Anleitung lesen

Achtung!

Dieses Gerät enthält gesundheitsschädlichen Staub. Entleerungs- und Wartungsarbeiten, einschließlich der Entfernung des Staubbeutels, dürfen nur durch entsprechend geschulte Mitarbeiter mit geeigneter Personenschutzrüstung durchgeführt werden, die mit dem Gerät vertraut sind. Das Gerät darf NICHT betrieben werden, wenn das

Filterationssystem nicht einwandfrei installiert ist.

Bei Geräten der Klasse M muss die Geräteaußenseite mit einem Staubsauger dekontaminiert und dann sauber gewischt werden oder mit einem Dichtungsmittel

behandelt werden, bevor das Gerät aus dem Gefahrenbereich gebracht wird.

Einlegen/Auswechseln/Entsorgen des Staubsaugerbeutel bzw. Kartuschenfilters.

Staubsaugerbeutel oder Kartuschenfilter, die mit Staub und Ablagerungen angefüllt sind, dürfen nur von geschultem

Personal entfernt und ausgewechselt werden, das entsprechende Schutzkleidung in einem entsprechenden

Dekontaminierungsbereich trägt.

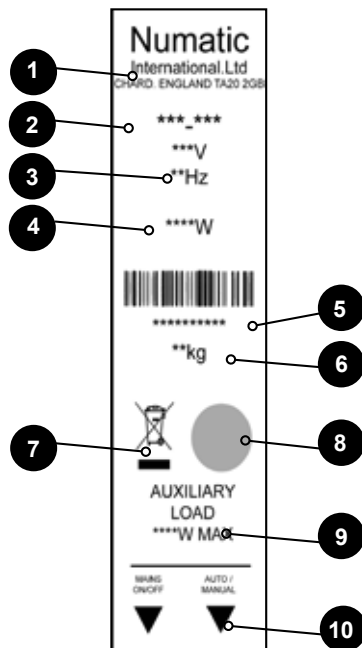
Das Gerät darf nicht ohne vollständig eingesetztes Filtersystem betrieben werden.

Entfernen Sie den Tuchfilter in der Trommel. Entfernen Sie den Staubsaugerbeutel vom Schlauchflansch der Trommel, und verschließen Sie die Öffnung des Staub-

beutel. Legen Sie den Staubbeutel bzw. den Kartuschenfilter in einen dichten Plastikbeutel, und verschließen Sie diesen.

Entsorgen Sie den Plastikbeutel je nach Verschmutzung auf angemessene Weise.

Plaque signalétique	
1	Nom et adresse du fabricant
2	Machine Description
3	Tension / Courant Alternatif /Fréquence
4	Puissance
5	Numéro de série année semaine
6	Poids brut
7	Logo-WEEE
8	Marque d'approbation
9	Charge auxiliaire max (le cas échéant)
10	Identification interrupteur (le cas échéant)



Composants de sécurité critiques
 Câble d'alimentation:
 H05VV-F 10m x 3 Core x 1.5 mm²
 Fuse 10.0 AMP ANTI SURGE FUSE

Législation WEEE (DEEE)

Les aspirateurs, accessoires et emballages répondent aux critères de recyclage et d'environnement.

Pour UK/CEE seulement :

Ne pas jeter l'aspirateur comme déchet ménager.

En accord avec la directive 2012/19/EC du 27 janvier 2003 sur les déchets électriques et électroniques (Directive WEEE pour Waste Electrical and Electronic Equipment) et ses applications au niveau national, les aspirateurs en fin de vie doivent être collectés et récupérés un organisme compétent en matière de gestion environnementale des déchets.



par

EPI (Equipelement de Protection Individuel). Recommandés pour certaines applications :

Protections sonores	Chaussures de sécurité	Casque de protection	Gants de protection	
				Panneau de signalisation au sol
Lunettes de protection	Vêtements de sécurité	Protection contre poussières / allergènes	Gilet de haute visibilité	

Note :

Une évaluation des risques devra être menée pour définir les obligations d'utilisation des EPI.

ATTENTION!

Assurez-vous d'avoir lu le manuel d'instruction avant d'utiliser l'appareil.

Les utilisateurs doivent avoir reçu une formation adaptée à l'utilisation de cet appareil. Ils doivent être vigilants et prendre en permanence les précautions relatives à l'utilisation de tout matériel sous tension.

Ils devront s'assurer que la maintenance courante et préventive de l'appareil soit effectuée régulièrement pour garantir la sécurité de son utilisation.

Tout défaut d'entretien de cet appareil, ou le remplacement de pièces par des pièces autres que celles d'origine pourrait rendre l'appareil dangereux. Le constructeur ne pourra en aucun cas être tenu responsable en cas de manquement relatif à l'entretien de la machine.

Cet aspirateur est destiné à l'aspiration de poussières sèches uniquement.

Débrancher impérativement la prise d'alimentation de l'appareil avant d'entreprendre toute opération de nettoyage, de maintenance, pour le remplacement d'une pièce ou pour changer la configuration de l'appareil. Ces opérations de montage, de nettoyage et de maintenance doivent être effectuées par des personnes adultes et compétentes.

Cet aspirateur ne convient pas à l'aspiration de substances dangereuses, explosives, ou pouvant présenter un risque biologique. Pour de telles applications spécifiques, contacter votre distributeur qui pourra vous proposer la fourniture d'un équipement adapté.

Cette machine n'est pas un jouet, elle doit être maintenue hors de portée des enfants.

Cette machine ne doit pas être utilisée par des enfants ou des personnes aux capacités physiques, sensorielles ou mentales réduites, voire qui manquent d'expérience ou de connaissances en la matière.

Vous devez veiller que le cordon d'alimentation n'entre pas en contact avec un objet blessant ou coupant, ou avec les brosses rotatives (dans le cas échéant).

AVERTISSEMENT

Cet appareil ne convient pas pour être stocké et utilisé à l'extérieur, ou en environnement humide.

Il ne convient pas non plus pour aspirer des substances humides, visqueuses ou liquides.

L'aspirateur à poussières est destiné à un usage et un entreposage intérieur uniquement.

Assurez-vous que le système de filtration soit approprié pour la collecte de la poussière aspirée.

NOTA

Ce produit est conforme aux exigences de la clause 20 de la norme CEI/EN 60335-2-69 Stabilité et dangers mécaniques.

Cet appareil est destiné à un usage commercial, par exemple pour les hôtels, écoles, hôpitaux, ateliers, surfaces de vente et bureaux.

En cas de défaut de fonctionnement de l'appareil, débrancher la prise avant d'entreprendre toute recherche de panne.

En cas de bouchage ou de baisse de l'aspiration de l'appareil, éteignez celui-ci, débranchez la prise d'alimentation, et vérifiez qu'aucune saleté n'obstrue le capteur (ou la brosse), les tubes ou le flexible de l'aspirateur, nettoyez le filtre et remplacez sac filtrant.

Contrôler le bon état de l'aspirateur après utilisation.

Après raccordement de l'appareil à une alimentation appropriée, le voyant "sous tension" s'allume.

CE QU'IL FAUT FAIRE

- Maintenir votre machine propre.
- Maintenir les filtres propres.
- Utiliser des sacs filtrants d'origine, ceux-ci garantissent les performances et l'état de propreté de votre machine.
- Surveiller la propreté du capteur, des tubes et du flexible.
- Remplacer immédiatement toute pièce usée ou endommagée.
- Examiner régulièrement l'état du cordon d'alimentation. Celui-ci devra être remplacé à la moindre détérioration, par un câble d'origine Numatic et par une personne compétente.
- Remplacer fréquemment le sac filtrant, ne pas attendre la saturation de celui-ci.
- Maintenir l'éventuel filtre de refoulement (s'il y a lieu) propre.
- N'utiliser que les brosses et accessoires d'origine. L'usage d'autres brosses peut affecter la sécurité.

CE QU'IL NE FAUT PAS FAIRE

- NE PAS dérouler le câble brutalement, ou débrancher la prise d'alimentation en tirant sur le câble.
- NE PAS aspirer de substances chaudes ou incandescentes, notamment des cendres ou des mégots.
- NE PAS nettoyer l'appareil à la vapeur, ni par aspersion d'eau ni par immersion.
- NE PAS entreprendre d'opération de maintenance ou de nettoyage sans avoir débranché le câble d'alimentation au préalable.
- NE PAS utiliser cet appareil en environnement humide, ou pour aspirer des substances humides.
- NE PAS entreposer en environnement humide.
- Ne jamais placer d'objets étrangers dans le filtre supérieur de la machine, notamment des assainisseurs d'air, capsules d'assainisseur d'air ou perles parfumées de toute nature. Cette pratique dangereuse risquerait d'endommager la machine et d'en annuler la garantie.

INFORMATIONS IMPORTANTES POUR L'UTILISATEUR

Avant toute utilisation, les opérateurs doivent recevoir des informations, des instructions et une formation sur l'utilisation de la machine et les substances pour lesquelles on peut l'utiliser, y compris sur la méthode à employer pour éliminer en toute sécurité les matériaux recueillis.

Le récipient à poussière doit être vidé lorsque cela est nécessaire, mais également après chaque utilisation.

Cet aspirateur est muni d'un voyant qui s'allume lorsque la vitesse de l'air descend au-dessous d'un niveau prédéfini, ce qui indique que le sac doit être remplacé.

Cette machine ne convient pas pour un branchement sur des machines produisant des poussières.

Tous les filtres, y compris le sac, doivent être intacts et se trouver dans une position correcte avant que cet appareil ne puisse être utilisé en toute sécurité.

ATTENTION : Cette machine est conçue pour une utilisation à sec uniquement et ne doit pas être utilisée ou entreposée à l'extérieur dans des conditions humides.

Ne pas aspirer de braises ou de poussières incandescentes ni toute autre matière présentant un risque d'inflammation.

Ne pas utiliser le câble d'alimentation pour déplacer la machine.

AVERTISSEMENT :

1. Cette machine ne doit être utilisée que par du personnel dûment formé et autorisé.
2. Cette machine ou ses accessoires ne doivent pas être modifiés.
3. La machine ne doit pas être entreposée ou utilisée dans un environnement humide.
4. Ne pas laisser le sac à poussière (NVM-2BH) se remplir au point de réduire la capacité d'aspiration de l'appareil. (Un voyant s'allume à des niveaux prédéfinis de vitesse de l'air < 20 m/s).
5. N'utiliser le sac à poussière (NVM-2BH) qu'une seule fois.
6. Cet appareil ne doit être réparé que par du personnel dûment formé et autorisé.
7. N'utiliser que des pièces Numatic International Ltd d'origine pour les réparations.
8. Cette machine ne doit pas être installée comme système d'extraction fixe ni être laissée sans surveillance pendant son fonctionnement.

9. Ne pas réutiliser l'élément filtrant essentiel après son retrait de la machine.

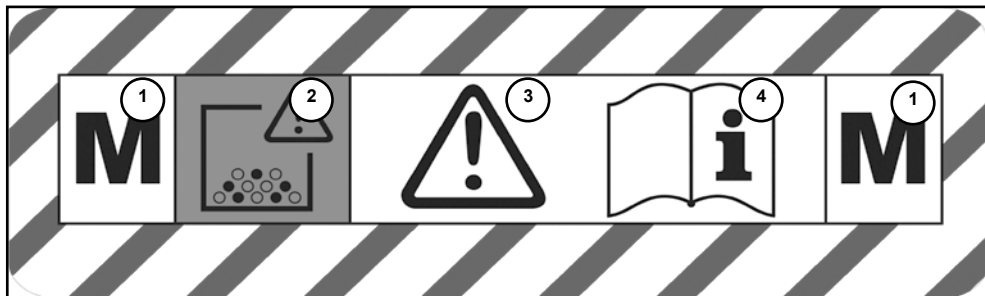
Les opérateurs doivent respecter toutes les réglementations de sécurité applicables aux matériaux concernés.

Cette machine est conçue pour une utilisation à sec uniquement.

PRÉPARATION POUR L'UTILISATION

Déballer et identifier chaque élément du matériel d'après le bon de livraison.

Vérifiez que les détails fournis correspondent aux informations figurant sur la plaque signalétique montée sur le bloc moteur.



Explication de l'étiquette

- 1 Aspirateur de type M
- 2 Attention, les débris contenus à l'intérieur de cet aspirateur peuvent être dangereux pour la santé
- 3 Attention !
- 4 Lisez les instructions avant utilisation

Attention !

Cette machine contient des poussières dangereuses pour la santé. Les opérations de vidage et d'entretien, notamment le retrait du sac à poussière, ne doivent être effectuées que par du personnel autorisé portant un équipement de protection individuelle adéquat. NE PAS utiliser sans avoir installé la totalité du système de filtration.

Pour les machines de classe M, l'extérieur de la machine doit être décontaminé par aspiration puis essuyé ou traité avec un agent d'étanchéité avant que la machine ne sorte de la zone dangereuse.

Installation / retrait / élimination du sac à poussière / de la cartouche filtrante.

Le retrait ou le remplacement du sac à poussière / de la cartouche filtrante qui contient les poussières et les débris ne doit être effectué que par du personnel autorisé portant un équipement de protection individuelle adéquat, dans une zone de décontamination spécifique.

Ne jamais utiliser la machine sans avoir mis en place la totalité du système de filtration.

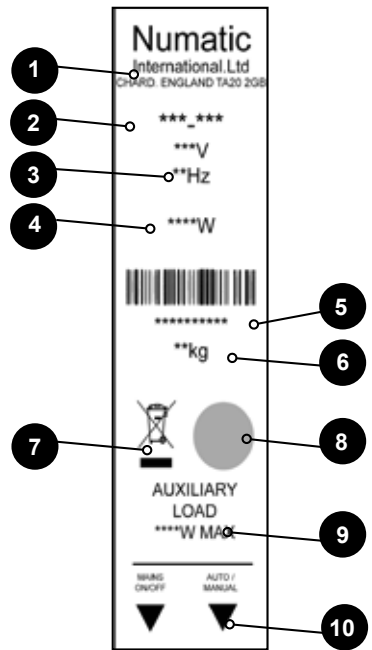
Retirer le filtre textile de la cuve. Retirez le sac à poussière de la colerette de branchement du flexible à l'intérieur de la cuve et colmatez le trou du sac à poussière.

Placez le sac à poussière / la cartouche filtrante à l'intérieur d'un sac en plastique étanche et scellez ce dernier.

Jetez le sac en plastique d'une façon appropriée selon la contamination.

Type plaatje	
1	Fabrikant
2	Machine omschrijving
3	Voltage / Wisselstroom / frequentie
4	Vermogen
5	Jaar-week-serienummer
6	Gericht
7	WEEE Logo
8	Goedkeuringsmerk
9	Max belasting aangesloten app. (indien van toepassing)
10	Aanduiding schakelaar (indien van toepassing)

Belangrijke veiligheidscomponenten
 Snoer:
 H05VV-F 10m x 3 Core x 1.5 mm²
 Fuse 10.0 AMP ANTI SURGE FUSE



WEEE wetgeving

Stofzuiger, accessoires en verpakking dienen te worden gescheiden voor milieuvriendelijke verwerking

Alleen geldig voor UK/EU landen:

U mag de stofzuiger, volgens de Europese Richtlijn 2012/19/EN met betrekking tot het weggooien van elektrisch en elektronische apparatuur en zoals opgenomen in de Nederlandse wetgeving, niet met het huishoudelijk afval weggooien, stofzuigers die niet meer geschikt zijn om te gebruiken dienen te worden verzameld en aangeboden voor milieuvriendelijke verwerking.



Persoonlijke bescherming. Die vereist kan zijn bij het uitvoeren van bepaalde werkzaamheden

Gehoorbescherming	Veiligheidsschoeisel	Veiligheidshelm	Veiligheidshandschoenen	
				Waarschuingsvl- erbord
Oogbescherming	Beschermende kleding	Adembescherming	Reflecterende jas	

LET OP:

Een risico-inventarisatie dient te worden uitgevoerd teneinde te bepalen welke bescherming moet worden gebruikt.

WAARSCHUWING!

Zorg ervoor dat u voor gebruik van dit apparaat eerst de gebruiksaanwijzing leest.

Gebruikers dienen goed geïnstrueerd te zijn voordat ze dit soort apparaat bedienen. Zoals bij alle elektrische apparatuur dient tijdens gebruik steeds de nodige zorgvuldigheid in acht te worden genomen en bovendien dient regelmatig periodiek en preventief onderhoud te worden uitgevoerd om de veiligheid van het apparaat te kunnen garanderen.

Als noodzakelijk onderhoud niet naar behoren wordt uitgevoerd, hetgeen ook het vervangen van onderdelen door inferieure onderdelen omvat, kan het apparaat onveilig worden. De fabrikant kan hiervoor echter niet aansprakelijk worden gesteld.

Dit apparaat is uitsluitend voor DROOG GEBRUIK bestemd.

VOORDAT reiniging of onderhoud plaatsvindt en bij het vervangen van onderdelen of het aanpassen aan een andere functie, dient de stekker van het apparaat uit het stopcontact te worden getrokken zodat dit niet op het stroomnet is aangesloten.

Dit apparaat is bedoeld om te worden gemonteerd, gereinigd en onderhouden door een volwassene.

Deze machine mag niet worden gebruikt voor het opzuigen van biologisch gevaarlijk materiaal, gevaarlijk of explosief stof. Neem contact op met uw plaatselijke distributeur als u een apparaat wenst dat dit wel kan.

Deze machine mag niet worden gebruikt door kinderen of personen met verminderde lichamelijke, zintuiglijke of geestelijke vermogens, of met een gebrek aan ervaring of kennis.

Laat het netsnoer niet in contact komen met roterende borstels (indien gemonteerd).

De elektrische aansluiting op de stofzuiger (indien gemonteerd) uitsluitend gebruiken voor de in de handleiding aangegeven doeleinden.

ATTENTIE

De stofzuiger mag niet buiten worden opgeslagen, of worden gebruikt in een natte omgeving of voor het opzuigen van nat materiaal.

De stofzuiger dient op een droge plek te worden bewaard en binnen te worden gebruikt.

Zorg ervoor dat het geïnstalleerde filtersysteem van het apparaat geschikt is voor het op te zuigen materiaal.

OPMERKING

Dit product voldoet aan de eisen van clause 20 van IEC/EN 60335-2-69 'Stabiliteit en mechanische risico's'.

Het primaire gebruik van deze machine is bedrijfsmatig, bijvoorbeeld in hotels, scholen, ziekenhuizen, fabrieken, winkels en kantoren.

Trek, indien de stofzuiger niet meer werkt, eerst de stekker uit het stopcontact alvorens te onderzoeken wat de oorzaak is.

Als de stofzuiger verstopt raakt, schakel deze dan uit, trek de stekker uit het stopcontact en controleer het mondstuk, de buizen en de slang. Plaats, indien het mondstuk, de buizen en de slang vrij zijn, de stofzak terug en maak het filter schoon.

De stofzuiger dient na gebruik op beschadiging te worden gecontroleerd.

Het spannings indicator lampje gaat branden als de stofzuiger is aangesloten op een geschikte stroombron.

WAT WEL TE DOEN

- De stofzuiger schoonhouden.
- De filters schoonhouden.
- Filterzakken gebruiken, hierdoor presteert de stofzuiger beter en blijft langer schoon.
- Bij het opzuigen van fijn stof een originele filterzak van Numatic gebruiken.
- De buizen en slang schoon en vrij van verstopping houden.
- Versleten of beschadigde onderdelen meteen vervangen.
- Regelmatig de stroomkabel controleren. Als de stroomkabel beschadigd blijkt te zijn en bijvoorbeeld barsten vertoont of versleten is, deze door een gekwalificeerde monteur laten vervangen door een originele stroomkabel van Numatic.
- De stofzak regelmatig vervangen.
- Het diffusiefilter (indien gemonteerd) schoonhouden.
- Op de stofzuiger alleen de meegeleverde borstels gebruiken. Het gebruik van andere borstels kan onveilig zijn.

WAT NIET TE DOEN

- De kabel met één ruk uittrollen of aan de stroomkabel trekken om de
- stekker uit het stopcontact te verwijderen.
- Hete as of brandende peuken opzuigen met de stofzuiger.
- Stoomreinigers of hogedrukspuiten gebruiken om het apparaat te reinigen of het apparaat onderdompelen in water.
- Proberen onderhoud aan de stofzuiger te verrichten of deze te reinigen terwijl de stekker in het stopcontact zit.
- De stofzuiger gebruiken in een natte omgeving of voor het opzuigen van nat materiaal.
- Het apparaat in een natte omgeving opslaan.
- In geen geval vreemde voorwerpen, waaronder (maar niet beperkt tot) luchtverfrissers, luchtverfrissende capsules of geurparels, van welke aard dan ook, in de bovenste filter van de machine plaatsen. Dit kan gevaarlijk zijn, schade veroorzaken aan de machine en de garantie op de machine ongeldig maken.

BELANGRIJKE INFORMATIE VOOR DE GEBRUIKER

Vóór gebruik moet gebruikers informatie, instructie en training aangeboden worden voor het gebruik van de stofzuiger en de stoffen waarvoor deze moet worden gebruikt, inclusief de veilige methode van afvalverwerking van opgezogen materiaal.

De stofhouder moet worden geleegd wanneer dat nodig is, maar ook na ieder gebruik.

Deze stofzuiger heeft een lampje dat gaat branden als de zuigkracht onder een vooraf bepaald niveau daalt, hetgeen aangeeft dat de zak moet worden vervangen. Deze stofzuiger is niet geschikt om te worden aangesloten op apparaten die stof veroorzaken.

Dit apparaat kan alleen veilig worden gebruikt als alle filters en ook de zak onbeschadigd zijn en juist zijn geplaatst.

ATTENTIE: Deze stofzuiger is alleen bedoeld voor droog gebruik en mag niet buiten in een natte omgeving worden gebruikt of opgeslagen.

Zuilg geen gloeiende as of stof of andere risicovolle, brandbare materialen op.

Verplaats het apparaat niet door aan de stroomkabel te trekken.

WAARSCHUWING:

1. Dit apparaat mag alleen worden bediend door personeel dat bevoegd is en voldoende opgeleid.
2. De stofzuiger en de bijbehorende accessoires mogen niet worden gemodificeerd.
3. De stofzuiger mag niet in een natte omgeving worden opgeslagen of gebruikt.
4. Laat de stofzak (NVM-2BH) niet zo vol worden dat de zuigkracht van de stofzuiger zodanig afneemt dat geen vuil meer kan worden opgezogen. (Lampje gaat branden bij vooraf ingestelde snelheid van de luchtstroom < 20 m/s).
5. Gebruik de stofzak (NVM-2BH) slechts één keer.
6. Deze stofzuiger mag alleen worden gerepareerd door personeel dat bevoegd is en voldoende opgeleid.
7. Gebruik voor reparaties alleen originele onderdelen van Numatic International Ltd.
8. Deze stofzuiger mag niet als vast afzuigstelsysteem worden geïnstalleerd of beheerd in werking zijn.
9. Gebruik het essentiële filterelement niet opnieuw nadat het uit de stofzuiger is verwijderd.

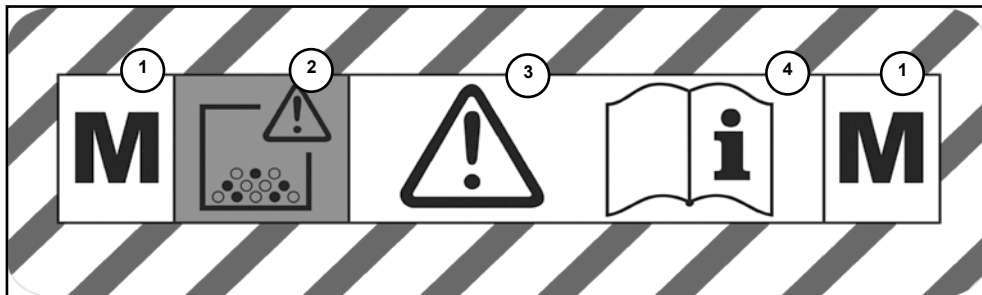
Gebruikers moeten zich aan alle veiligheidsvoorschriften houden die gelden voor de materialen waarmee wordt gewerkt.

Deze stofzuiger is uitsluitend bestemd voor het opzuigen van droge materialen.

VOORBEREIDING VOOR GEBRUIK

Pak de verschillende onderdelen van de stofzuiger uit en controleer met de afleveringsbon of de stofzuiger compleet is.

Controleer of de verstrekte gegevens overeenkomen met de informatie op het "typeplaatje", dat op het motorbloksamenstel is gemonteerd.



Uitleg label

- 1 Stofzuiger M-klasse
- 2 Attentie: het opgezogen materiaal in de stofzuiger kan gevaarlijk zijn voor de gezondheid
- 3 Attentie!
- 4 Lees voor gebruik de handleiding

Waarschuwing!

Deze stofzuiger bevat stof dat gevaarlijk is voor de gezondheid. Het leegmaken en onderhouden, inclusief verwijderen van de stofzak, moet worden uitgevoerd door getraind personeel dat vertrouwd is met de machine en de juiste persoonlijke beschermingsuitrusting draagt. Bedien deze stofzuiger NIET wanneer niet het volledige filtratiesysteem is gemonteerd.

Bij apparaten van de M-klasse moet de buitenzijde door stofzuigen worden ontsmet en worden schoongeveegd of behandeld met een afdichtmiddel voordat de stofzuiger uit de gevarenzone wordt gehaald.

Patroonfilter aanbrengen / verwijderen / afvoeren

Het verwijderen en vervangen van een volle stofzak/patroonfilter mag alleen in een daartoe voorziene ruimte worden uitgevoerd door bevoegd personeel dat de juiste persoonlijke beschermingsmiddelen draagt.

Gebruik de stofzuiger nooit zonder dat het volledige filtratiesysteem is geplaatst.

Haal het doekfilter uit de stofzak. Maak de stofzak los van de sangaansluiting binnenin de stofzak en sluit de opening van de stofzak. Doe de stofzak/het patroonfilter in een ondoortlatende plastic zak en maak de zak dicht.

Voer de plastic zak op een geschikte wijze af, afhankelijk van de aard van de verontreiniging.

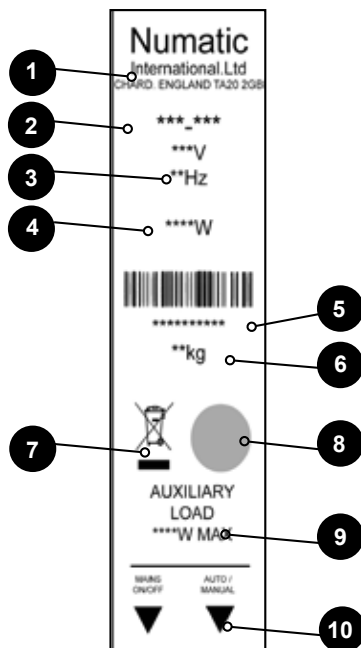
Etiqueta energética	
1	Nome e endereço da empresa
2	Modelo
3	Tensão / Corrente alternada / Frequência
4	Potência nominal
5	Ano/semana/Número de série da máquina
6	Peso (pronto a utilizar)
7	Símbolo WEEE
8	Marca de aprovação
9	Carga auxiliar máx. (caso aplicável)
10	Identificação dos interruptores (caso aplicável)

Componentes críticos de segurança

Cabo de alimentação:

H05VV-F 10m x 3 Core x 1.5 mm²

Fuse 10.0 AMP ANTI SURGE FUSE



Legislação REEE

Os acessórios e a embalagem do aspirador devem ser separados para reciclagem.

(Apenas para países da UK/UE)

Não eliminar o aspirador junto com os resíduos domésticos! Em conformidade com a Directiva Europeia 2012/19/CE relativa a Resíduos de Equipamentos Eléctricos e Electrónicos e respectiva incorporação na legislação nacional, os aspiradores que já não sejam adequados para utilização devem ser recolhidos em separado e enviados para recuperação de forma adequada em termos ambientais.



EPI (Equipamento de Protecção Individual), que pode ser necessário para realizar certas operações).

Protecções auriculares	Calçado de segurança	Capacete	Luvas de segurança	
Óculos de protecção	Vestuário de protecção	Protecção contra poeiras/ alergénios	Colete reflector	
				Sinal de atenção para colocar no piso

Nota* Deve realizar-se uma avaliação dos riscos para determinar o tipo de EPI a usar.

ADVERTÊNCIA!

Certifique-se de que lê o manual de instruções antes de utilizar a máquina.

Os operadores devem receber instruções adequadas sobre a utilização desta máquina, bem como sobre todo o equipamento eléctrico; deve ter-se cuidado e prestar-se atenção em todas as circunstâncias durante a utilização; além disso, deve também certificar-se de que realiza certas operações de manutenção de rotina e de prevenção periodicamente para garantir uma utilização segura.

Se a manutenção não for devidamente realizada, incluindo a substituição correcta de peças, a segurança do equipamento pode ser comprometida e o fabricante não poderá ser responsabilizado por esse facto.

A máquina destina-se exclusivamente a UTILIZAÇÃO A SECO.

Deve desligar a máquina da alimentação eléctrica retirando a ficha da tomada de parede ANTES de limpar ou realizar a manutenção e quando substituir peças ou converter a máquina para outra função.

Este aparelho destina-se a ser montado, limpo e submetido a manutenção por um adulto.

Esta máquina não é adequada para a recolha de poeiras com perigo biológico, perigosas ou explosivas. Se necessitar de uma máquina com capacidade para realizar essas tarefas, contacte o seu distribuidor local.

Esta máquina não deve ser utilizada por crianças ou por pessoas com capacidades físicas, sensoriais ou mentais reduzidas, ou falta de experiência ou conhecimento.

Não deve permitir que o cabo de alimentação entre em contacto com as escovas ou discos em rotação (se instalados).

Utilize a tomada da máquina apenas para os fins indicados nas instruções (quando existente).

Esta máquina não é um brinquedo; as crianças não devem brincar com esta máquina.

ATENÇÃO

Esta máquina não deve ser guardada no exterior, nem utilizada em ambientes húmidos ou para recolher materiais húmidos.

O aspirador deve ser guardado num local seco e destina-se exclusivamente a utilização em interiores.

Deve garantir que o sistema de filtragem instalado na máquina é adequado para o material a recolher.

NOTAS

Este produto cumpre os requisitos da cláusula 20 da norma IEC/EN 60335-2-69 Estabilidade e riscos mecânicos.

Esta máquina é adequada à utilização comercial, por exemplo em hotéis, escolas, hospitais, fábricas, lojas e escritórios, para efeitos para além dos de limpeza doméstica.

Se o aspirador deixar de funcionar, retire a ficha da tomada antes de tentar identificar a falha.

Se o aspirador ficar obstruído, desligue-o, retire a ficha da tomada de parede e inspecione a ferramenta do

pavimento, os tubos e os tubos flexíveis para identificação de resíduos. Se a ferramenta do pavimento, os tubos e os tubos flexíveis estiverem desobstruídos, substitua o saco de pó e limpe o filtro.

Após a utilização, o aspirador deve ser inspeccionado para identificação de danos.

A luz da alimentação acende quando a máquina é ligada a uma fonte de alimentação adequada.

DEVE

- Manter a máquina limpa.
- Manter os filtros limpos.
- Utilizar sacos de filtro, pois melhorarão o desempenho e ajudarão a manter a máquina limpa.
- Utilizar um saco de filtro Numatic original em condições de poeiras finas.
- Manter os tubos flexíveis e os tubos desobstruídos.
- Substituir imediatamente as peças desgastadas ou danificadas.
- Inspeccionar o cabo de alimentação com regularidade. Caso identifique danos, tais como fissuras ou envelhecimento no cabo de alimentação, este deve ser substituído por um técnico competente utilizando a peça Numatic original apropriada.
- Substituir o saco de pó com frequência.
- Manter o filtro difusor (quando utilizado) limpo.
- Utilizar apenas as escovas fornecidas com o aparelho. A utilização de outras escovas pode comprometer a segurança.

NÃO DEVE

- Desenrolar o cabo com um puxão ou puxar pelo cabo para desligar a máquina da fonte de alimentação.
- Utilizar o aparelho para aspirar cinzas quentes ou pontas de cigarros acesos.
- Utilizar máquinas de limpeza a vapor ou de pressão ou mergulhar em água para limpar o aparelho.
- Tentar manter ou limpar a máquina sem que tenha retirado a ficha da tomada de alimentação.
- Utilizar em ambiente húmido ou para recolher materiais molhados.
- Guardar o aparelho em condições com humidade.
- Em nenhuma circunstância coloque objetos estranhos, incluindo, sem limitações, ambientadores, cápsulas de ambientador ou pérolas perfumadas de qualquer tipo, no filtro superior da máquina. Isso pode ser perigoso, danificar a máquina ou invalidar a respetiva garantia.

INFORMAÇÕES IMPORTANTES PARA O UTILIZADOR

Antes de utilizarem a máquina, os operadores devem receber as informações, instruções e formação relativas à utilização da máquina e às substâncias para as quais é utilizada, incluindo o método seguro de eliminação do material recolhido.

O recipiente de pó deve ser esvaziado após cada utilização e sempre que necessário.

Este aspirador possui uma lâmpada que se acende sempre que a velocidade do ar desce abaixo de um nível predefinido, o que indica que o saco deve ser substituído.

Esta máquina não é adequada para ligação a máquinas geradoras de pó.

Todos os filtros, incluindo o saco, deverão estar isentos de danos e na posição correta antes de a máquina poder ser utilizada com segurança.

CUIDADO: Esta máquina é apenas para utilização em seco e não deve ser utilizada ou guardada no exterior ou em condições com humidade.

Não recolher brasas ou pó incandescente ou qualquer outro material que apresente risco de ignição.

Não utilizar o cabo de alimentação para deslocar a máquina.

ADVERTÊNCIA:

1. Esta máquina apenas deve ser operada por pessoal autorizado e devidamente formado.
2. Esta máquina ou os respetivos acessórios não devem ser modificados.
3. Esta máquina não pode ser guardada no exterior nem utilizada em ambientes húmidos.
4. Não deixe que o saco de recolha de pó (NVM-2BH) fique tão cheio que reduza a eficácia de recolha do aspirador. (A lâmpada acende-se aos níveis de velocidade predefinidos < 20 m/s.)
5. Utilize o saco de recolha de pó (NVM-2BH) apenas uma vez.
6. Esta máquina apenas deve ser reparada por pessoal autorizado e devidamente formado.
7. Utilize apenas peças sobresselentes genuínas da Numatic nas reparações.
8. Esta máquina não deve ser instalada como um sistema de extração fixo ou funcionar sem supervisão.
9. Não reutilize o elemento filtrante depois de o retirar da máquina.

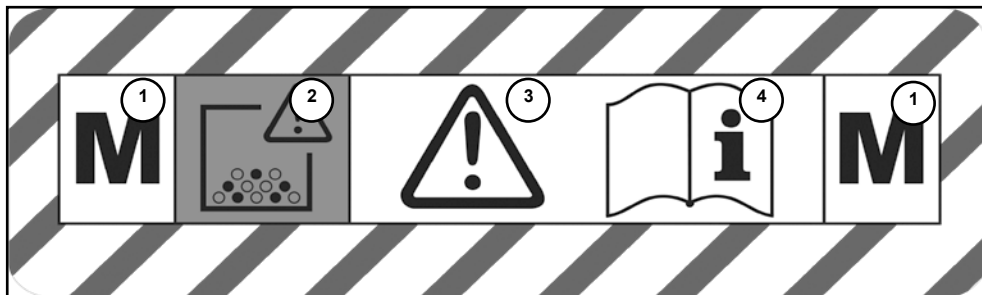
Os operadores deverão cumprir todos os regulamentos de segurança aplicáveis aos materiais manuseados.

Esta máquina destina-se exclusivamente a utilização em seco.

PREPARAÇÃO PARA A UTILIZAÇÃO

Desembale e identifique cada item de equipamento da nota de entrega.

Verifique se os dados correspondem às informações da placa de características na cabeça do aparelho.



Explicação da etiqueta

- | | |
|---|---|
| 1 | Aspirador tipo M |
| 2 | Cuidado: os resíduos no interior do aspirador podem ser prejudiciais para a saúde |
| 3 | Cuidado! |
| 3 | Leia as instruções antes de utilizar |

Advertência!

Esta máquina contém pó perigoso para a saúde. O esvaziamento e os trabalhos de manutenção, incluindo a remoção do saco do pó recolhido, apenas devem ser efetuadas por pessoal com conhecimentos para o efeito, que esteja familiarizado com a máquina e com equipamento de proteção individual adequado. NÃO utilize sem que o sistema de filtragem completo esteja colocado.

No caso das máquinas de classe M, o exterior das máquinas deve ser descontaminado por métodos de limpeza por vácuo e limpo ou tratado com um vedante antes de ser retirado da área perigosa.

Instalação / Remoção / Eliminação do saco de pó/ filtro de cartucho.

O saco de pó/ filtro de cartucho com o pó e os resíduos deverá ser removido e substituído apenas por pessoal autorizado com equipamento de proteção individual adequado, numa área de descontaminação especificada.

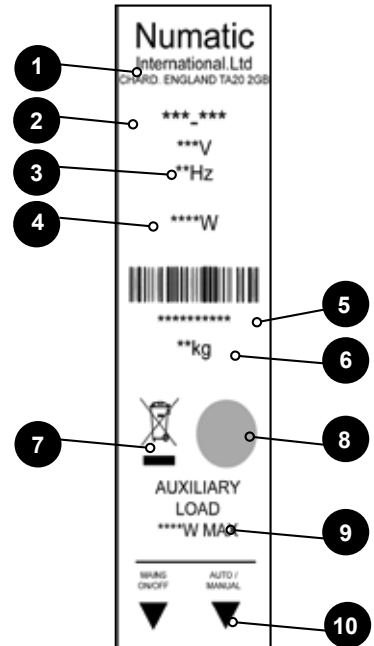
Nunca utilize sem que o sistema de filtragem completo esteja colocado.

Remova o filtro de pano do tambor. Remova o saco de pó da flange da mangueira no interior do tambor e sele o furo do saco de pó. Coloque o cartucho do saco de pó dentro de um saco de plástico impermeável e sele o saco.

Elimine o saco de plástico, consoante a contaminação, de forma adequada.

Targhetta caratteristiche	
1	Ragione sociale e indirizzo azienda
2	Modello
3	Tensione / Alternata corrente / frequenza
4	Potenza nominale
5	Anno/settimana di produzione e numero di serie
6	Peso (apparecchio pronto per l'uso)
7	Logo WEEE
8	Marchio di omologazione
9	Carico ausiliario max (se applicabile)
10	Identificazione interruttori (se applicabile)

Componenti critici per la sicurezza
 Cavo di alimentazione da rete:
 H05VV-F 10m x 3 Core x 1.5 mm²
 Fuse 10.0 AMP ANTI SURGE FUSE



Norme WEEE

L'aspirapolvere, gli accessori e gli imballaggi devono essere smaltiti in conformità delle norme in vigore sul riciclaggio.

(Solo per i Paesi UK/UE)

Non smaltire l'aspirapolvere con i rifiuti domestici. In conformità della direttiva europea 2012/19/CE sui rifiuti di apparecchiature elettriche ed elettroniche e relativo recepimento nelle norme di legge nazionali, gli apparecchi di scarto devono essere accantonati e predisposti per il riciclaggio in modo responsabile.



EPI (equipo de protección individual). que puede ser necesario para determinadas operaciones

Protección de los oídos	Calzado de seguridad	Protección de la cabeza	Guantes de seguridad	
Protección de los ojos	Ropa de protección	Protección contra el polvo/ alérgenos	Chaleco de alta visibilidad	
Nota: Deberá realizarse una evaluación de riesgos que determine qué clase de EPI conviene utilizar.				

AVVERTENZA!

Leggere attentamente le istruzioni prima di usare l'apparecchio.

Gli operatori devono essere addestrati all'uso di questi apparecchi, nonché a trattarli sempre con cura e attenzione, provvedendo anche alla loro manutenzione periodica e preventiva onde garantirne il funzionamento in condizioni di sicurezza.

La mancata effettuazione degli interventi di manutenzione prescritti, nonché l'uso di ricambi originali, possono compromettere l'uso dell'apparecchio in condizioni di sicurezza. Il fabbricante declina ogni responsabilità in proposito.

L'apparecchio è del tipo DRY USE.

Scollegare la spina del cavo di alimentazione PRIMA degli interventi di pulizia e manutenzione nonché alla sostituzione dei componenti o alla conversione dell'apparecchio ad altro uso.

Il montaggio, la pulizia e la manutenzione dell'apparecchio sono di esclusiva competenza di persone adulte.

L'apparecchio non è idoneo all'aspirazione di sostanze biologicamente pericolose, di polveri pericolose o esplosive. Per le applicazioni di cui sopra rivolgersi al distributore di fiducia.

Non è consentito l'uso dell'apparecchio ai minori e a coloro che hanno ridotte facoltà fisiche, sensoriali o mentali, agli inesperti se non opportunamente addestrati.

Evitare il contatto tra il cavo di alimentazione ed eventuali spazzole rotanti.

Utilizzare esclusivamente la presa dell'apparecchio secondo le eventuali istruzioni prescritte.

L'apparecchio non è un giocattolo. Tenere lontani i bambini dall'apparecchio.

ATTENZIONE

L'apparecchio non deve essere lasciato all'aperto o utilizzato in ambienti umidi, ovvero usato per aspirare materiali umidi.

L'aspirapolvere deve essere custodito in ambiente asciutto e utilizzato solo in ambienti interni.

Occorre assicurarsi che i filtri montati sull'apparecchio siano adatti al materiale da aspirare.

NOTES

L'apparecchio è conforme ai requisiti IEC/EN 60335-2-69, Clausola 20 - Stabilità e rischi meccanici.

L'apparecchio è adatto anche all'impiego in ambito commerciale, ad esempio in alberghi, scuole, ospedali, fabbriche, negozi e uffici per attività diverse da quelle di normale pulizia domestica.

In caso di mancato funzionamento dell'aspirapolvere, staccare la spina dalla presa di alimentazione prima di qualsiasi intervento.

Se l'aspirapolvere si blocca, disinserire la corrente, staccare la spina di alimentazione e verificare che l'apparecchio, i tubi e il flessibile non siano intasati. Se l'apparecchio, i tubi e il flessibile non sono ostruiti, sostituire il sacchetto e pulire il filtro.

Dopo l'uso, controllare l'aspirapolvere per assicurarsi che sia sempre efficiente.

La spia si illumina quando l'apparecchio è collegato ad una corrente di alimentazione idonea.

SI

- Mantenere l'apparecchio sempre pulito.
- Assicurarsi che i filtri non siano intasati.
- Utilizzare i sacchetti filtro previsti, a garanzia di ottime prestazioni e massima pulizia dell'apparecchio.
- In ambienti con presenza di polveri sottili usare i sacchetti filtro originali Numatic.
- Assicurarsi che i flessibili e i tubi non siano occlusi.
- Sostituire immediatamente gli eventuali componenti usurati o danneggiati.
- Controllare frequentemente che il cavo di alimentazione sia integro. In presenza di difetti (fessurazioni od invecchiamento) sostituire senza esitazioni il cavo a cura di addetto competente utilizzando
- esclusivamente ricambi originali Numatic.
- Sostituire spesso il sacchetto.
- Verificare che l'eventuale filtro diffusore sia sempre pulito.
- Utilizzare esclusivamente le spazzole fornite con l'apparecchio. L'utilizzo di altre spazzole può compromettere la sicurezza d'uso.

NO

- Svolgere il cavo a stratonni o staccare la spina agendo sul cavo di alimentazione.
- Aspirare ceneri ancora calde o mozziconi di sigarette accesi.
- Utilizzare apparecchi di lavaggio a vapore o a pressione o immergere l'aspirapolvere in acqua per pulirlo.
- Eseguire interventi di manutenzione o di pulizia senza prima aver scollegato il cavo di alimentazione dalla presa.
- Utilizzare l'apparecchio in ambienti umidi o per aspirare materiali bagnati.
- Depositare l'apparecchio all'umido.
- Mettere per nessun motivo oggetti estranei, tra cui deodoranti per ambienti, capsule deodoranti o perline profumate di qualsiasi tipo, nel filtro superiore della macchina. Questo comportamento è pericoloso, può provocare danni alla macchina e far decadere la garanzia.

INFORMAZIONI IMPORTANTI PER L'UTENTE

Prima dell'uso è necessario fornire agli operatori informazioni, istruzioni e formazione sull'uso dell'apparecchio e sulle sostanze per cui deve essere utilizzato, compreso il metodo sicuro per lo smaltimento del materiale raccolto.

Il contenitore della polvere deve essere svuotato quando necessario, ma anche dopo ogni utilizzo.

L'aspirapolvere è dotato di una spia che si accende quando la velocità dell'aria scende al di sotto di un livello preimpostato; ciò segnala che il sacchetto deve essere sostituito.

L'apparecchio non è adatto per il collegamento a macchine che generano polvere.

Tutti i filtri, sacchetto incluso, devono essere integri e posizionati correttamente prima di poter utilizzare l'apparecchio in modo sicuro.

ATTENZIONE: l'apparecchio è destinato esclusivamente all'uso a secco e non deve essere utilizzato o conservato in esterni o in presenza di umidità.

Non aspirare bruce, cenere ardente o altri rischi di ignizione.

Non utilizzare il cavo di alimentazione per spostare l'apparecchio.

AVVERTENZA:

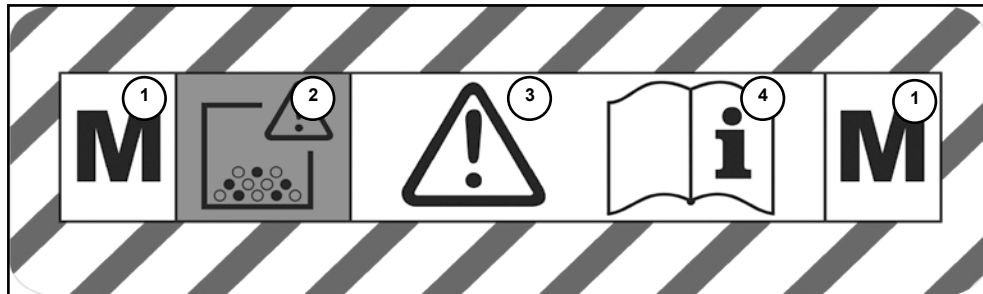
1. L'apparecchio deve essere utilizzato esclusivamente da personale adeguatamente formato e autorizzato.
2. L'apparecchio e i suoi accessori non devono essere modificati.
3. L'apparecchio non deve essere riposto o utilizzato in un ambiente umido.
4. Non lasciare che il sacchetto di raccolta della polvere (NVM-2BH) si riempia a tal punto da ridurre il funzionamento efficace dell'aspirapolvere (la spia si accenderà a livelli della velocità dell'aria preimpostati <20 m/s).
5. Utilizzare il sacchetto per la raccolta della polvere (NVM-2BH) una sola volta.
6. L'apparecchio deve essere riparato esclusivamente da personale adeguatamente formato e autorizzato.
7. Per le riparazioni utilizzare esclusivamente ricambi originali Numatic International Ltd.
8. L'apparecchio non deve essere utilizzato come sistema di aspirazione fisso né deve essere lasciato in funzione incustodito.
9. Non riutilizzare l'elemento filtrante essenziale dopo la sua rimozione dalla macchina.

Gli operatori devono osservare eventuali norme di sicurezza appropriate per i materiali da movimentare. L'apparecchio è destinato al solo uso a secco.

PREPARAZIONE PER L'USO

Disimballare e identificare ogni elemento dell'apparecchio nella distinta di consegna.

Controllare che i dettagli forniti corrispondano alle informazioni riportate sulla targhetta dei dati nominali montata sul gruppo testa.



Spiegazione etichetta

- 1 Aspirapolvere tipo M
- 2 Attenzione, i detriti contenuti nell'aspirapolvere possono essere pericolosi per la salute
- 3 Attenzione!
- 4 Prima dell'uso leggere le istruzioni

Avvertenza!

L'apparecchio contiene polveri pericolose per la salute. Le operazioni di svuotamento e manutenzione, compresa la rimozione del sacchetto, devono essere realizzate esclusivamente da personale addestrato che abbia familiarità con la macchina e che indossi dispositivi di protezione individuale adeguati. **NON** utilizzare se non è prima stato installato il sistema di filtrazione completo.

Per le macchine della classe M, l'esterno dell'apparecchio deve essere decontaminato con metodi di pulizia tramite aspirazione e pulito o trattato con sigillante prima della rimozione dall'area pericolosa

Installazione/Rimozione/Smaltimento del sacchetto/cartuccia filtrante

Il sacchetto/cartuccia filtrante contenente la polvere e i detriti deve essere rimosso e sostituito esclusivamente da personale autorizzato, munito di dispositivi di protezione personale adeguati, in un'area di decontaminazione specificata.

Non utilizzare mai senza il sistema di filtrazione completo installato.

Rimuovere il filtro in tessuto nel tamburo. Rimuovere il sacchetto dalla flangia del flessibile all'interno del tamburo e sigillare il foro del sacchetto. Mettere il sacchetto/cartuccia filtrante all'interno di un sacco di plastica resistente e sigillarlo.

Smaltire il sacco di plastica in modo appropriato a seconda del livello di contaminazione.

Etiqueta de características

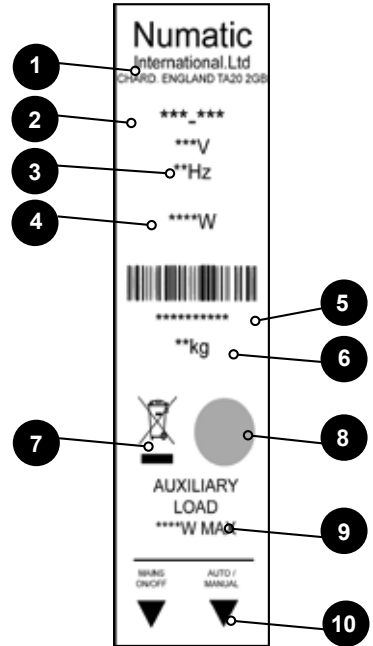
1	Nombre y domicilio de la empresa
2	Modelo
3	Tensión / Corriente alterna / Frecuencia
4	Potencia nominal de entrada
5	N.º de serie de la máquina con año/semana
6	Peso (lista para el uso)
7	Logotipo RAEE
8	Marca de aprobación
9	Carga auxiliar máxima (si corresponde)
10	Identificación de mandos (si corresponde)

Componentes críticos para la seguridad

Cable de alimentación:

H05VV-F 10m x 3 Core x 1.5 mm²

Fuse 10.0 AMP ANTI SURGE FUSE



Normativa RAEE

La aspiradora, los accesorios y el embalaje se deben clasificar para su reciclaje ecológico.

(Solo para países de la UK/UE)

No deseche la aspiradora junto con los residuos domésticos. De acuerdo con la Directiva europea 2012/19/CE sobre residuos de aparatos eléctricos y electrónicos y su incorporación en la legislación nacional, las aspiradoras que ya no sirven se deben recoger por separado y enviar para su recuperación ecológica.



EPI (equipo de protección individual), que puede ser necesario para determinadas operaciones

Protección de los oídos	Calzado de seguridad	Protección de la cabeza	Guantes de seguridad	
Protección de los ojos	Ropa de protección	Protección contra el polvo/alérgenos	Chaleco de alta visibilidad	
Nota: Deberá realizarse una evaluación de riesgos que determine qué clase de EPI conviene utilizar.				

¡ATENCIÓN!

Asegúrese de leer el manual de instrucciones antes de utilizar la máquina.

Se deberá proporcionar a los operarios las indicaciones apropiadas sobre la utilización de estas máquinas. Al igual que todo equipo eléctrico, se debe tener cuidado y prestar atención en todo momento durante su utilización, además de llevar a cabo periódicamente el mantenimiento preventivo para asegurar el funcionamiento sin riesgo.

Si no se realiza debidamente el mantenimiento, incluida la sustitución de las piezas correctas, el equipo podría resultar peligroso y el fabricante no aceptará responsabilidad alguna al respecto.

Esta máquina está prevista solamente para el USO EN SECO.

Desenchufe la máquina de la red de suministro ANTES de limpiar o realizar el mantenimiento, así como al sustituir piezas o convertir la máquina para que cumpla otra función.

El aparato está previsto para que lo arme, limpie y mantenga una persona adulta.

Esta máquina no es adecuada para recoger sustancias biológicas peligrosas ni polvos peligrosos o explosivos.

Si necesita una máquina capaz de realizar estas tareas, póngase en contacto con su distribuidor local.

Esta máquina no debe ser utilizada por niños o personas con minusvalías físicas, sensoriales o mentales, o que carezcan de experiencia y conocimientos.

No deje que el cable de alimentación entre en contacto con cepillos que estén girando

(si la máquina los tiene).

Utilice la toma situada en la máquina solamente para los fines indicados en las instrucciones

(si la máquina la tiene).

Esta máquina no es un juguete; no deje que los niños jueguen en ella.

PRECAUCIÓN

Esta máquina no se debe guardar a la intemperie ni utilizar en ambientes húmedos o para recoger materiales mojados.

La aspiradora debe guardarse en un lugar seco y está prevista para uso exclusivamente en interiores.

Debe asegurarse de que el sistema de filtrado de la máquina sea adecuado para el material que se va a recoger.

NOTAS

Este producto cumple con los requisitos establecidos en la cláusula 20 de IEC/EN 60335-2-69 sobre Estabilidad y Peligros Mecánicos.

Esta máquina es adecuada para uso comercial, como en hoteles, escuelas, hospitales, fábricas, tiendas y oficinas para otros fines que no sean las tareas domésticas normales.

Si la aspiradora deja de funcionar, desenchúfela de la toma de pared antes de investigar la causa.

Si la aspiradora tiene alguna obstrucción, apáguela, desenchúfela de la toma de corriente y examine la boquilla, la tubería y la manguera en busca de desechos. Si la boquilla, la tubería y la manguera están despejadas, cambie la bolsa de polvo y limpie el filtro.

Después de utilizarla, la aspiradora se deberá examinar en busca de daños.

La luz de alimentación estará encendida mientras la máquina esté conectada a una fuente de alimentación adecuada

SI

- Mantenga limpia la máquina.
- Mantenga limpios los filtros.
- Utilice bolsas filtrantes; mejorarán el rendimiento de la máquina y ayudarán a mantenerla limpia.
- Utilice una bolsa filtrante Numatic Original cuando hay polvo fino.
- Mantenga despejadas la manguera y los tubos.
- Sustituya inmediatamente toda pieza desgastada o dañada.
- Examine periódicamente el cable de alimentación. Si se encuentra algún daño, como agrietamiento o envejecimiento, una persona competente deberá sustituir el cable de alimentación por el repuesto correcto original de Numatic.
- Cambie con frecuencia la bolsa de polvo.
- Mantenga limpio el filtro difusor (si lo hay).
- Utilice solamente los cepillos provistos con la máquina. El uso de otros cepillos puede comprometer la seguridad.

NO

- No desenrolle el cable de un tirón ni tire del cable para desenchufar la máquina de la fuente de alimentación.
- No utilice la máquina para aspirar cenizas calientes ni colillas encendidas.
- No utilice una máquina de limpieza al vapor o de lavado a presión para limpiar la máquina, ni sumerja esta en agua.
- No intente realizar trabajos de mantenimiento o limpieza de la máquina sin haberla desenchufado de la toma de corriente.
- No la utilice en un entorno húmedo ni para recoger materiales mojados.
- No guarde la máquina en condiciones húmedas.
- No introduzca bajo ninguna circunstancia objetos extraños de ningún tipo (ambientadores, cápsulas de ambientador, perlas perfumadas o cualquier otro objeto extraño) en el filtro superior de la máquina. Esto podría ser peligroso, ocasionar daños a la máquina e invalidar la garantía.

INFORMACIÓN IMPORTANTE PARA EL USUARIO

Antes de empezar a utilizar la máquina, el operario recibirá información y capacitación sobre el uso de la máquina y las sustancias para las cuales se podrá utilizar, incluida la forma segura de desechar el material recogido.

El recipiente para el polvo se deberá vaciar cuando sea necesario, y también después de cada vez que se utilice la máquina.

Esta aspiradora tiene una luz que se enciende cuando la velocidad del aire baja de un nivel prefijado; esto indica que hace falta cambiar la bolsa.

Esta máquina no es adecuada para la conexión con máquinas generadoras de polvo.

Para poder utilizar la máquina sin peligro, todos los filtros, incluida la bolsa, deberán estar sanos y en la posición correcta.

ATENCIÓN: La máquina es para uso en seco solamente y no debe utilizarse ni guardarse a la intemperie en condiciones húmedas.

No aspirar brasas o polvo encendido ni cualquier otro material que presente un peligro de incendio.

No tire del cable de alimentación para desplazar la máquina.

ATENCIÓN:

1. Esta máquina solo debe ser utilizada por personal debidamente capacitado y autorizado.
2. No se debe modificar esta máquina ni sus accesorios.
3. Esta máquina no se debe guardar ni utilizar en ambientes húmedos.
4. No deje que la bolsa recoge polvo (NVM-2BH) se llene tanto que perjudique el efecto de aspiración. (La luz se encenderá a niveles de velocidad de aire prefijados < 20 m/s).
5. Utilice la bolsa recoge polvo (NVM-2BH) una sola vez.
6. Esta máquina solo debe ser reparada por personal debidamente capacitado y autorizado.
7. Utilice únicamente repuestos originales de Numatic International Ltd cuando se necesite hacer una reparación.
8. Esta máquina no se debe instalar como sistema de extracción fijo ni dejar desatendida cuando está en funcionamiento.
9. No vuelva a utilizar el cartucho del filtro esencial tras haberlo extraído de la máquina.

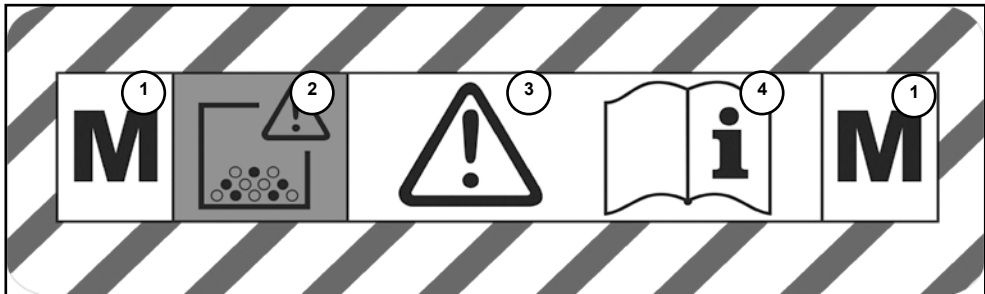
El operario deberá respetar toda la normativa de seguridad que se refiera a los materiales aspirados.

Esta máquina está prevista solamente para el uso en seco.

PREPARACIÓN PARA EL USO

Desempaquete e identifique cada artículo a partir del albarán.

Verifique que los datos citados concuerden con la información que figura en la etiqueta de características montada en el cabezal.



Explicación de la etiqueta

- 1 Aspiradora tipo M
- 2 Atención: los residuos que contiene la aspiradora podrían ser nocivos para la salud.
- 3 ¡Atención!
- 4 Leer las instrucciones antes de utilizar la máquina

Advertencia

Esta máquina contiene polvo nocivo para la salud. Las operaciones de vaciado y mantenimiento, incluida la extracción de la bolsa de polvo, deben ser realizadas únicamente por personal capacitado que conozca la máquina y que lleve el correspondiente equipo de protección individual. NO utilice la máquina sin que esté instalado el sistema completo de filtración.

En el caso de las máquinas de clase M, el exterior de la máquina se deberá descontaminar mediante un método de limpieza por aspiración, pasándole luego un paño o tratándolo con un sellador, antes de retirar la máquina de la zona peligrosa.

Colocación, extracción y eliminación de la bolsa de polvo/el filtro de cartucho

La bolsa de polvo/el filtro de cartucho que contiene el polvo y otros residuos se debe sacar y cambiar únicamente por personal autorizado con el correspondiente equipo de protección individual puesto y en una zona específica para tareas de descontaminación.

No utilice nunca la máquina sin que esté instalado el sistema completo de filtración.

Extraiga el filtro textil del cilindro. Saque la bolsa de polvo de la brida para el tubo dentro del cilindro y selle la abertura de la bolsa. Coloque la bolsa de polvo/el filtro de cartucho en una bolsa de plástico impermeable y selle la bolsa.

Deseche la bolsa de plástico como proceda según los contaminantes que contenga.

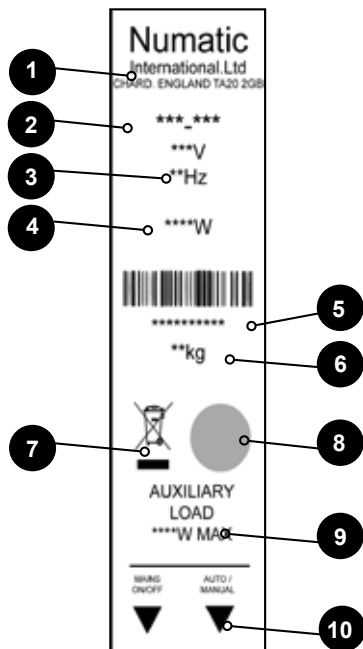
Tabliczka znamionowa	
1	Nazwa i adres przedsiębiorstwa
2	Model
3	Napięcie / Prąd przemienny / częstotliwość
4	Znamionowy pobór mocy
5	Rok/tydz. prod./Numer seryjny
6	Waga (robocza)
7	Symbol WEEE
8	Znak
9	Maks obciążenie pomocnicze (jeżeli ma zastosowanie)
10	Wyłącznik automatyczny / ręczny (jeżeli ma zastosowanie)

Komponenty o krytycznym znaczeniu dla bezpieczeństwa

Przewód zasilający:

H05VV-F 10m x 3 Core x 1.5 mm²

Fuse 10.0 AMP ANTI SURGE FUSE



Przepisy o zużytych urządzeniach elektrycznych i elektronicznych

Pozbywając się akcesoriów i materiałów pakowych maszyny, należy je odpowiednio posegregować do utylizacji.

(Tylko dla krajów UK/UE)

Maszyny nie wolno wyrzucać do odpadów domowych! Zużyty sprzęt należy utylizować zgodnie z przepisami dyrektywy 2012/19/EU w sprawie zużytego sprzętu elektrotechnicznego i elektronicznego włączonymi do prawa krajowego.

Maszynę nienadającą się już do użytku należy zebrać oddzielnie i wysłać do przetworzenia w sposób przyjazny dla środowiska z odzyskiem surowców.



Środki ochrony indywidualnej, które mogą okazać się niezbędne podczas wykonywania niektórych czynności.

Ochrona uszu	Obuwie ochronne	Ochrona głowy	Rękawice ochronne	
				Znak ostrzegawczy o śliskiej podłodze
Ochrona oczu	Odzież ochronna	Ochrona przed pyłem/alergenami	Kamizelka odbłaskowa	
Uwaga* - Aby określić, które środki ochrony indywidualnej trzeba zastosować, należy wykonać ocenę ryzyka.				

OSTRZEŻENIE!

Przed przystąpieniem do użytkowania maszyny należy zapoznać się z niniejszą instrukcją.

Operatorzy muszą zostać odpowiednio przeszkoleni co do właściwej obsługi maszyny.

Odkurzacze jest przeznaczony do zbierania pyłu i śmieci klasy M.

Przez cały czas użytkowania maszyny czyszczącej, podobnie jak w przypadku każdego urządzenia elektrycznego, należy zachowywać szczególną ostrożność.

Ponadto, aby zapewnić bezpieczną eksploatację maszyny, należy regularnie wykonywać zalecane czynności konserwacyjne.

Niewykonywanie konserwacji zgodnie z zaleceniami, a także wymienianie części na niezgodne ze stosowną normą, może spowodować, że użytkowanie maszyny stanie się niebezpieczne, i doprowadzić do wyłączenia odpowiedzialności producenta.

Maszyna jest przeznaczona wyłącznie do UŻYTKU NA SUCHO i nie wolno jej używać ani przechowywać na zewnątrz lub w warunkach dużej wilgotności.

Maszyna powinna być odłączona od sieci poprzez wyciągnięcie wtyczki z gniazda zasilania podczas czyszczenia lub

konserwacji oraz w razie wymiany części lub przekształcenia maszyny do innego zadania.

To urządzenie nie może być używane przez dzieci lub osoby z ograniczeniami fizycznymi, sensorycznymi lub psychicznymi, ani przez osoby bez doświadczenia lub odpowiedniej wiedzy.

To urządzenie może być czyszczone i konserwowane tylko przez osoby dorosłe.

Dzieci muszą znajdować się pod nadzorem, aby uniemożliwić im kontakt z maszyną.

PRZESTROGA

Maszyna nie może służyć do zbierania pyłów groźnych biologicznie lub pyłu wybuchowego.

W razie potrzeby posiadania maszyny nadającej się do takich zadań prosimy skontaktować się z lokalnym przedstawicielem.

Należy upewnić się, czy układ filtracyjny zamontowany w maszynie nadaje się do aktualnie zbieranego materiału.

Niniejszy odkurzacze jest przeznaczony do użytku wewnętrznego do zbierania materiałów suchych.

Maszynę należy przechowywać wyłącznie wewnątrz budynków

UWAGI

Ten produkt jest zgodny z wymaganiami punktu 20 normy IEC/EN 60335-2-69 Stabilność i zagrożenia mechaniczne.

Ta maszyna nadaje się również do zastosowań komercyjnych, np. w hotelach, szkołach, szpitalach, fabrykach, sklepach, wypożyczalniach i biurach – dla innych celów porządkowych.

Ten odkurzacze jest wyposażony w zabezpieczenie termiczne. Jeśli odkurzacze przestanie pracować, przed przystąpieniem do zdiagnozowania problemu wyciągnąć wtyczkę z gniazda.

W razie zatkania się odkurzacza wyłączyć zasilanie, wyciągnąć wtyczkę z gniazda i sprawdzić, czy w końcówce ssącej, rurce lub węży nie utkwilił śmieci. Jeśli szczotka, rurki i wąż mają czysty przebieg, wymienić worek pyłowy i wyczyścić filtr.

Po użyciu odkurzacza sprawdzić pod względem ewentualnych uszkodzeń.

Odkurzacze należy przechowywać w suchym miejscu.

NALEŻY

- Utrzymywać maszynę w czystości, łącznie z rurkami i węzami.
- Często wymieniać worek pyłowy.
- Utrzymywać filtry w czystości.
- Utrzymywać w czystości filtr dyfuzora (o ile jest na wyposażeniu).
- Używać worków filtracyjnych, co zwiększa wydajność i pomaga utrzymać maszynę w czystości.
- Utrzymywać rury i węże w czystości.
- Niezwłocznie wymieniać zużyte lub uszkodzone części.
- Do akcesoriów należy używać wyłącznie gniazda umieszczonego na maszynie (np. wiertło o mocy maks. nie większej niż 2200 W).
- Używać wyłącznie szczotek dostarczonych z maszyną. Używanie innych szczotek może spowodować pogorszenie bezpieczeństwa.
- Regularnie sprawdzać stan kabla zasilania. W razie wykrycia pęknięcia lub zużycia kabla zasilania musi zostać wymieniony przez kompetentną osobę.
- Uszkodzony kabel zastąpić tylko odpowiednim kablem zatwierdzonym przez Numatic.

NIE NALEŻY

- Ciągnąć za kabel, chcąc odłączyć maszynę od źródła zasilania.
- Zasysać gorących popiołów ani palących się niedopalków papierosów czy cygar.
- Używać myjek parowych ani ciśnieniowych do czyszczenia maszyny, ani nie używać jej na deszczu.
- Zanurzać w wodzie w celu oczyszczenia.
- Wykonywać czynności konserwacyjnych ani nie czyścić maszyny, jeśli kabel zasilający nie został odłączony od gniazda zasilania.
- Używać w mokrym środowisku ani do zbierania mokrych substancji.

WAŻNE INFORMACJE DLA UŻYTKOWNIKA

Przed przystąpieniem do użytkowania urządzenia, operatorzy powinni otrzymać informacje i zalecenia oraz zostać przeszkoleni w zakresie użytkowania maszyny oraz substancji, do których ma ona być wykorzystywana, w tym również bezpiecznych sposobów utylizacji zebranego materiału.

Pojemnik na kurz należy w razie konieczności opróżniać, lecz również po każdym użyciu.

Niniejszy odkurzacz posiada lampkę, która zapala się i miga, gdy prędkość powietrza spadnie poniżej 20 m/s, co wskazuje na konieczność wymiany worka.

Żadne filtry, w tym worek, nie mogą być uszkodzone oraz muszą one być we właściwym położeniu zanim maszynę będzie można bezpiecznie użytkować.

Odpylaniem przy pomocy elektronarzędzi można sterować przy pomocy zintegrowanego automatycznego mechanizmu elektronicznego włączania i wyłączania.

OSTRZEŻENIE:

1. Maszyna może być użytkowana wyłącznie przez odpowiednio przeszkolony i uprawniony personel.
2. W maszynie lub jej akcesoriach nie wolno dokonywać żadnych modyfikacji.
3. Maszyny nie wolno przetrzymywać ani użytkować w środowisku charakteryzującym się dużą wilgotnością.
4. Nie należy dopuścić do tego by worek służący do zbierania pyłu (NVM-2BH) stał się na tyle pełny, by zmniejszać możliwość skutecznego zbierania pyłu przez odkurzacz. (Na wcześniej ustawionych poziomach prędkości powietrza < 20 m/s zapali się i zacznie migać lampka.)
5. Worek służący do zbierania pyłu (NVM-2BH) należy używać jedynie jednokrotnie.
6. Maszyna może być naprawiana wyłącznie przez odpowiednio przeszkolony i uprawniony personel.
7. Do napraw należy wykorzystywać wyłącznie oryginalne części zamienne firmy Numatic International Ltd.
8. Maszyny nie wolno instalować jako stałego systemu odpylania lub pozwalać by pracowała bez nadzoru.
9. Nie używać ponownie wkładu filtracyjnego po usunięciu z maszyny.

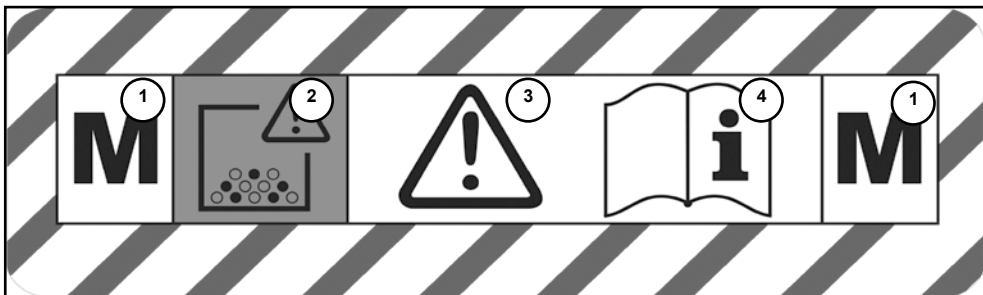
Operatorzy powinni przestrzegać wszelkich przepisów bezpieczeństwa odpowiednich dla obsługiwanych materiałów.

Ta maszyna jest przeznaczona tylko do użytku na sucho.

PRZYGOTOWANIE DO UŻYTKOWANIA

Należy rozpakować oraz zidentyfikować każdy element wyposażenia z dowodu dostawy.

Sprawdź czy podane informacje szczegółowo odpowiadają informacjom umieszczonym na tabliczce znamionowej zamontowanej na zespole głowicy.



Objaśnienia na etykiecie

- 1 Odkurzacz typu M
- 2 Przestroga: śmieci ujęte wewnątrz odkurzacza mogą być niebezpieczne dla zdrowia
- 3 Przestroga!
- 4 Przed użyciem należy zapoznać się z instrukcją

Ostrzeżenie!

Maszyna zawiera pył szkodliwy dla zdrowia. Czynnności związane z opróżnianiem i konserwacją maszyny, w tym zdejmowanie worka pyłowego muszą być wykonywane przez przeszkolony personel, który posiada wiedzę na temat działania maszyny i który nosi odpowiednie wyposażenie ochrony osobistej. NIE używać maszyny, na której nie zainstalowano pełnego układu filtracyjnego.

W przypadku maszyn klasy M, pow

ierzchnia zewnętrzna maszyny powinna zostać oczyszczona poprzez odkurzenie i dokładnie przetarta lub oczyszczona przy użyciu środka uszczelniającego przed zabraniem jej z obszaru niebezpiecznego.

Instalacja / Zdejmowanie / Utylizacja worka pyłowego/wkładu filtracyjnego.

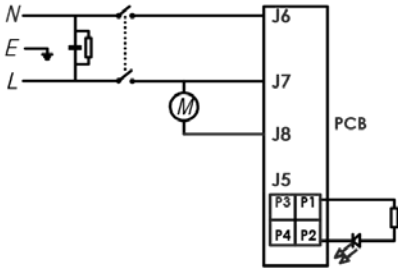
Worek pyłowy / wkład filtracyjny, w którym gromadzony jest pył oraz śmieci musi być zdejmowany wyłącznie przez uprawniony personel, noszący odpowiednie wyposażenie ochrony osobistej, w wyznaczonym obszarze odkażania.

W żadnym wypadku nie używać maszyny, bez zainstalowanego pełnego układu filtracyjnego.

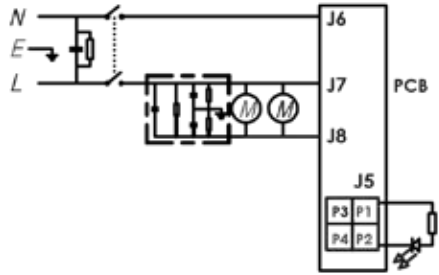
Należy zdjąć filtr tkaninowy w bębnie. Worek pyłowy należy zdjąć z kolnierza węża wewnątrz bębna i zamknąć otwór worka pyłowego. Worek pyłowy / wkład filtracyjny należy umieścić wewnątrz nieprzepuszczalnego worka tworzywowego, a następnie worek ten należy zamknąć.

Worek z tworzywa należy zutylizować w odpowiedni sposób w zależności od stopnia zanieczyszczenia.

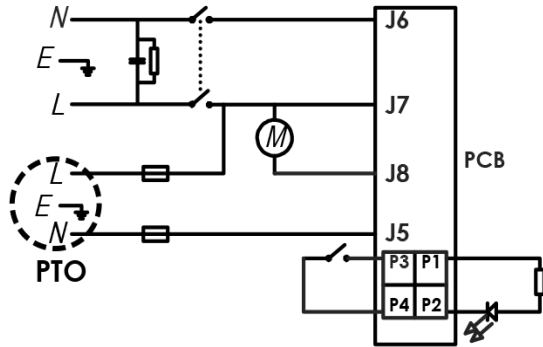
MES RANGE



MED RANGE

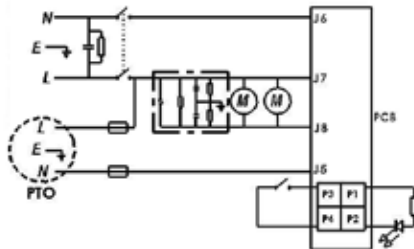


MES-A RANGE



DRW-22515 (A14.00)

MED-A RANGE



DRW-20424 (A21.00)

	EN	DE	FR	NL	PT	IT	ES	PL
570 900	Drum Size 23 L 40 L	Kesselgröße	Taille de cuve	Ketel afmeting	Tamanho do tambor	Capacità serbatoio	Tamaño del cilindro	Pojemność bębna
MES 570 MED 570 MES 900 MED 900 MES 570A MED 570A MES 900A MED 900A	Cleaning Range 28.6 m 19.2 kg 19.3 kg 25.5 kg 27.6 kg 19.3 kg 20.9 kg 25.2 kg 27.7 kg	Reinigungsbereich Gewicht (betriebsbereit)	Champs d'action Poids (prêt à l'emploi)	Bereik Gewicht (klaar voor gebruik)	Alcance da limpeza Peso (pronto a utilizar)	Campo di pulizia Peso (apparecchio pronto per l'uso)	Alcance de limpieza Peso (lista para el uso)	Zasięg czyszczenia Waga (robocza)
MES 570 MED 570 MES 900 MED 900 MES 570A MED 570A MES 900A MED 900A	Sound Pressure Uncertainty (KPa)	Schalldruck (LpA) Unsicherheit (KPa)	Niveau d'émission sonore (LpA) Incertitude (KPa)	Geluidsterk (LpA) Onzekerheid (KPa)	Pressão sonora (LpA) Incerteza (KPa)	Pressione sonora (LpA) Incertezza (KPa)	Presión sonora (LpA) Incertidumbre (KPa)	Cisnienie akustyczne (LpA) Niepewność (KPa)
570 900	Protection Class Class I	Schutzklasse	Classe de protection	Veiligheidsklasse	Classe de protecção	Classe di protezione	Clase de protección	Klasa ochrony
570 900	Dimensions 415 x 415 x 780 mm 480 x 600 x 945 mm	Abmessungen	Dimensions	Afmetingen	Dimensão	Dimensioni	Dimensiones	Wymiary L X W x H
MES 570 MED 570 MES 900 MED 900 MES 570A MED 570A MES 900A MED 900A	Motor Rating 620 W 620 W x 2 620 W x 2 620 W x 2	Leistung	Puissance	Vermogen	Potência nominal	Potenza nominale	Potencia nominal de entrada	Moc znamionowa
MES MED	Max. Flow rate 32 L/s / 115.2 m ³ /h 46 L/s / 165.6 m ³ /h	Max. Durchsatzmenge	Débit max.	Max. debiet	Caudal máximo	Portata max	Caudal máximo	Maks. przepływ
MES / MED	Max. Under pressure 215 Mbar / 215 (MPa)	Max. Underdruck	Dépression max.	Max onder druk	Max onder druk	Pressione max	Presión máxima	Maks. podciśnienie

UKCA Declaration of Conformity	
Manufacturer:	Numatic International Limited Chard Somerset TA20 2GB www.numatic.co.uk
Product:	NES, NED, MES, MED
Description:	Vacuum Cleaner – Commercial – Dry
<p>We, Numatic hereby declare under our sole responsibility, that the above-mentioned product(s) is/are in conformity with the following directives and standards.</p>	

S.I. 2008: 1597	Supply of Machinery Regulations	EN60335-1:2012 + AC:2014 + A11:2014 + A13:2017 + A15:2021 EN60335-2-69:2012 EN62233:2008
S.I. 2016: 1091	EMC Regulations	EN55014-1:2017 + A11:2020 EN55014-2:1997 + A1:2001 + A2:2008 EN61000-3-2:2014 EN61000-3-3:2013
S.I. 2012: 3032	RoHS Regulations	

Authorised Signatory: Mr. Matthew Coles
Position: Head of Technology
Numatic International Limited,
Chard,
Somerset, TA20 2GB, UK

Signed: *M Coles* Date: 5th February 2024

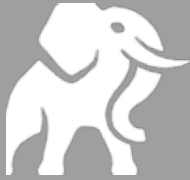
EU, EC, EL, UE, ES: Declaration of Conformity Prohlášení o shodě Overensstemmelseserklæring Declaración de conformidad Verstuurverklaring Declaration of conformity	Declaración de conformidad Декларация о соответствии Декларация о соответствии Декларация о соответствии Изъявление о соответствии Vaatimustenmukaisuusvakuutus
Manufacturer:	Numatic International Limited Chard Somerset TA20 2GB www.numatic.co.uk
Product:	NES, NED, MES, MED
Description:	Vacuum Cleaner – Commercial – Dry.

EN EN60335-1:2012 + AC:2014 + A11:2014 + A13:2017 + A15:2021 with the following directives and standards.	EN Tuo, Numatic C-työnäyttöön tarkoitettu työstävä kone, joka on suunniteltu ja valmistettu seuraavien CE-säätöjen mukaisesti: EN60335-1:2012 + AC:2014 + A11:2014 + A13:2017 + A15:2021
CS Myl. Numatic přístroj splňuje na svou výhradu odpovědnost, že vyjma uvedených výhrad nese odpovědnost za výrobu je ve shodě s následujícími	CS Mlý. Numatic Náměsířezací stroj je vylučující odpovědností, že vyjma výhrad uvedené odpovědnosti nese odpovědnost za výrobu je v souladu s následujícími
DE Mr. Numatic erklärt in diesem Besondere, dass das oben genannte Produkt den folgenden Richtlinien und Normen entspricht:	DE Mfr. Numatic erklärt hiermit, dass das oben genannte Produkt den folgenden Richtlinien und Normen entspricht:
DA Vi. Numatic erklærer hermed under eget ansvar at ovennævnte produkt(er) er i overensstemmelse med følgende direktiver og standarder:	DA Vi, Numatic erklærer hermed under eget ansvar at ovennævnte produkt(er) er i overensstemmelse med følgende direktiver og standarder:
ES Resortos. Numatic declaramos bajo nuestra única responsabilidad que el producto antes mencionado está en conformidad con las siguientes directivas y normas:	ES Resortos. Numatic declaramos sota la nostra única responsabilitat que el producte abans mencionat està en conformitat amb les següents directives i normes.
ET Mõeld. Numatic kinnitab, et tootele kehtestatud vastutust ei ole muud, kui tootja vastutus, ja et toode vastab järgmistele Euroopa direktiividele ja normidele:	ET Mõeld. Numatic kinnitab, et tootele kehtestatud vastutust ei ole muud, kui tootja vastutus, ja et toode vastab järgmistele Euroopa direktiividele ja normidele:
FR Numatic déclare sous notre seule responsabilité que le produit mentionné ci-dessus est conforme aux directives et normes suivantes.	FR Numatic déclare sous notre seule responsabilité que le produit mentionné ci-dessus est conforme aux directives et normes suivantes.

2006/42/EC	Machinery Directive	EN60335-1:2012 + AC:2014 + A11:2014 + A13:2017 + A15:2021 EN60335-2-69:2012
2014/53/EU	EMC Directive	EN55014-1:2017 + A11:2020 EN55014-2:1997 + A1:2001 + A2:2008 EN61000-3-2:2014 EN61000-3-3:2013
2011/65/EU	RoHS Directive	

Authorised Signatory: Mr. Matthew Coles
Position: Head of Technology
Numatic International Limited
Chard,
Somerset, TA20 2GB, UK

Signed: *M Coles* Date: 5th February 2024



AIRBO[®]

Distributed by:



Numatic

Numatic International BV.
Vennootsweg 15,
2404 CG,
Alphen aan den Rijn,
NEDERLAND

Tel: +31 172 467 999
www.numatic.nl

This Product has been comprehensively inspected and checked during every stage of its manufacture, including an in-depth electrical safety and functionality test.

Specification subject to change without prior notice
www.numatic.co.uk © Numatic International Limited

907880 03/24 (A09)