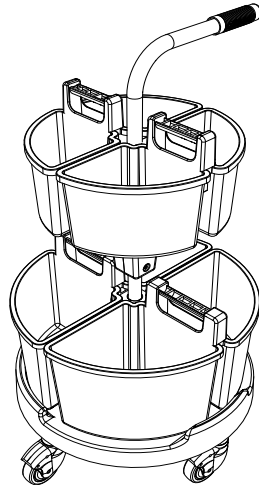
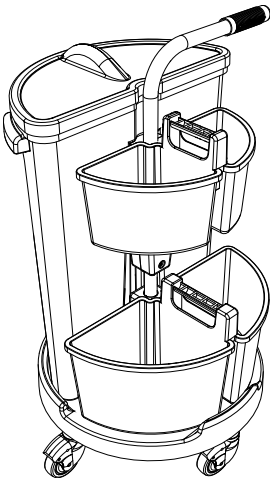
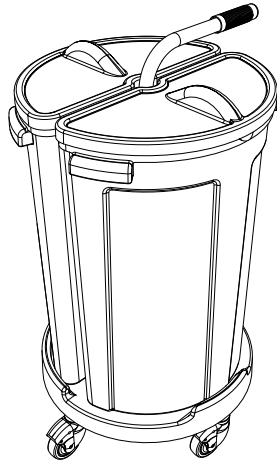
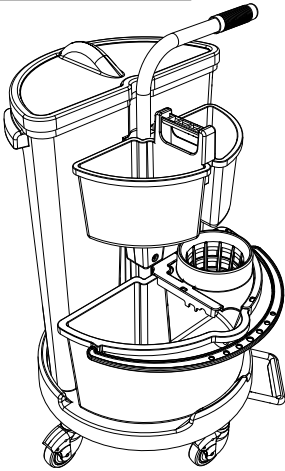


CAROUSEL

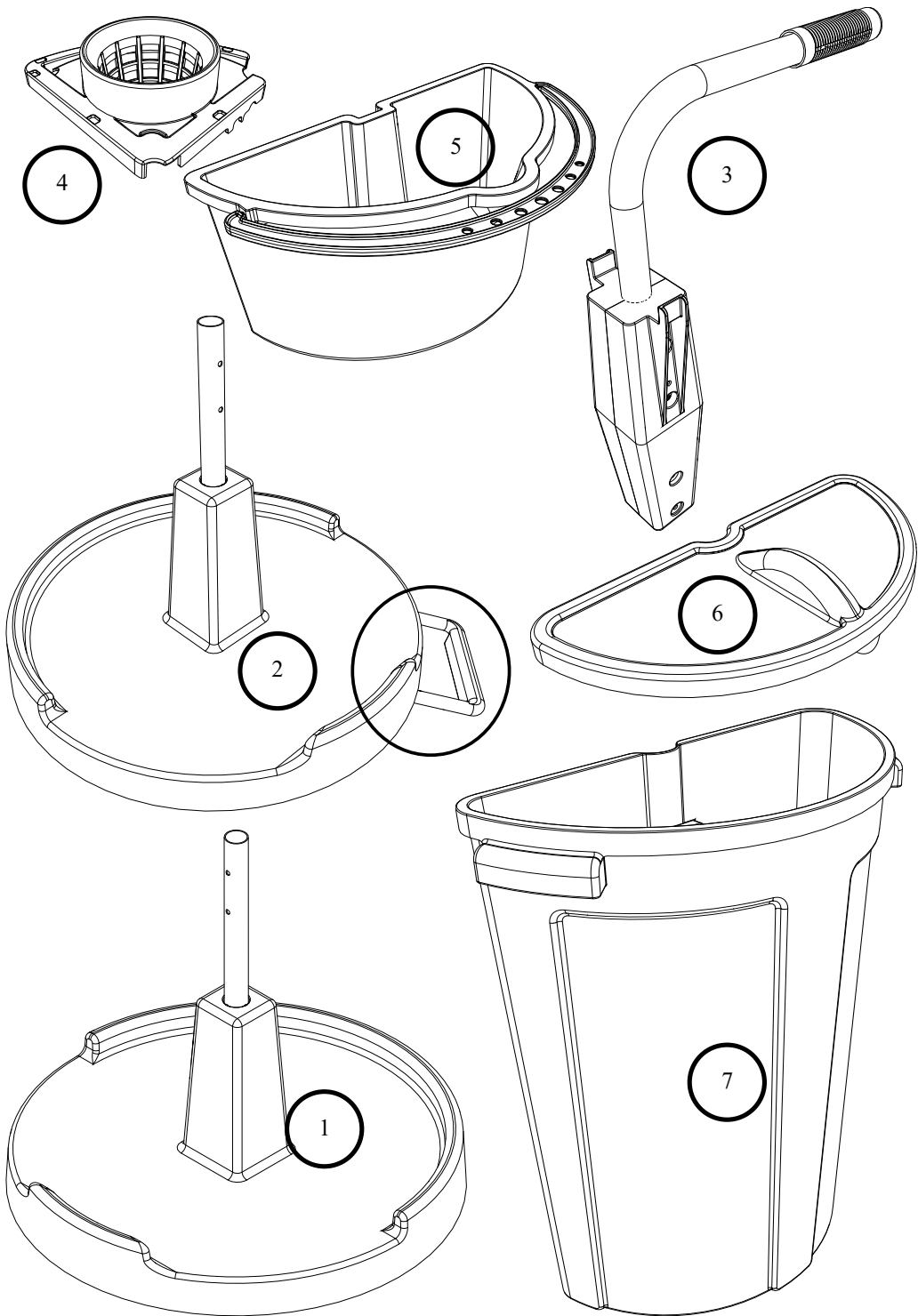
NCR 1 / 2 / 3 / 4

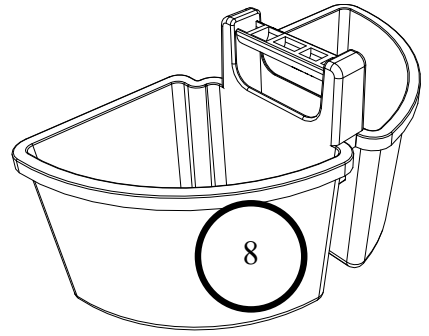
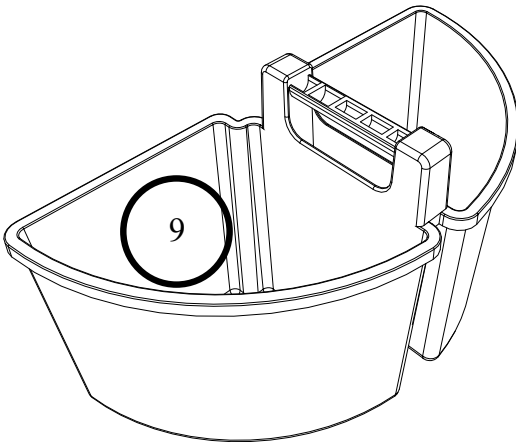
Numatic

numatic.com



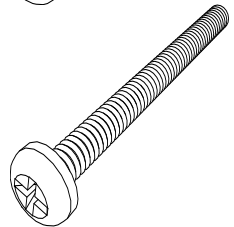
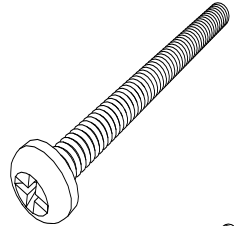
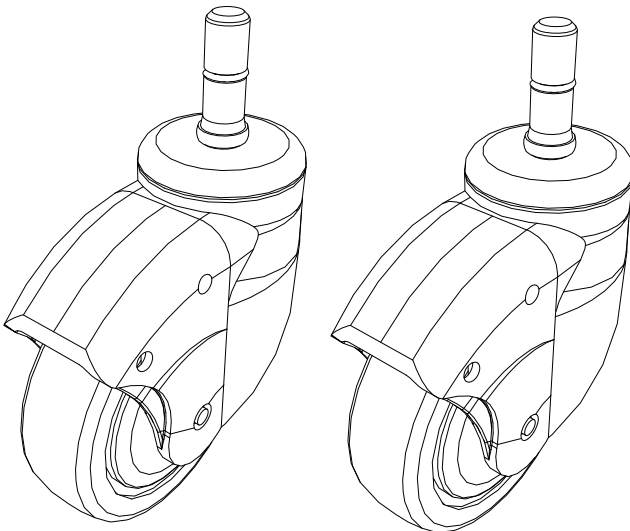
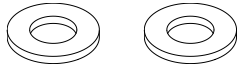
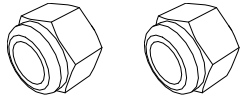
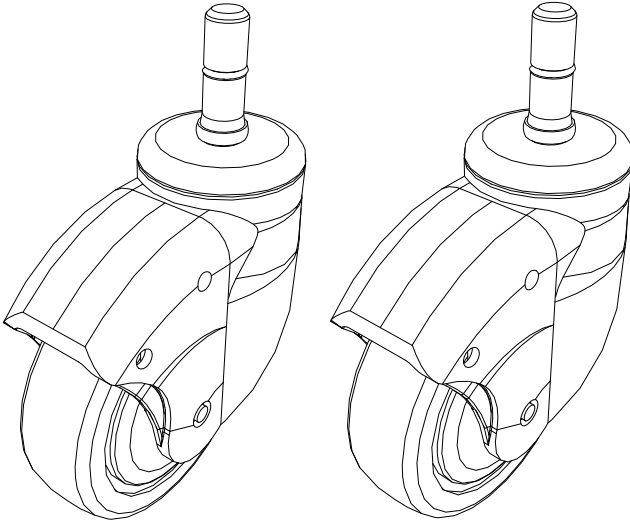
Original Instructions



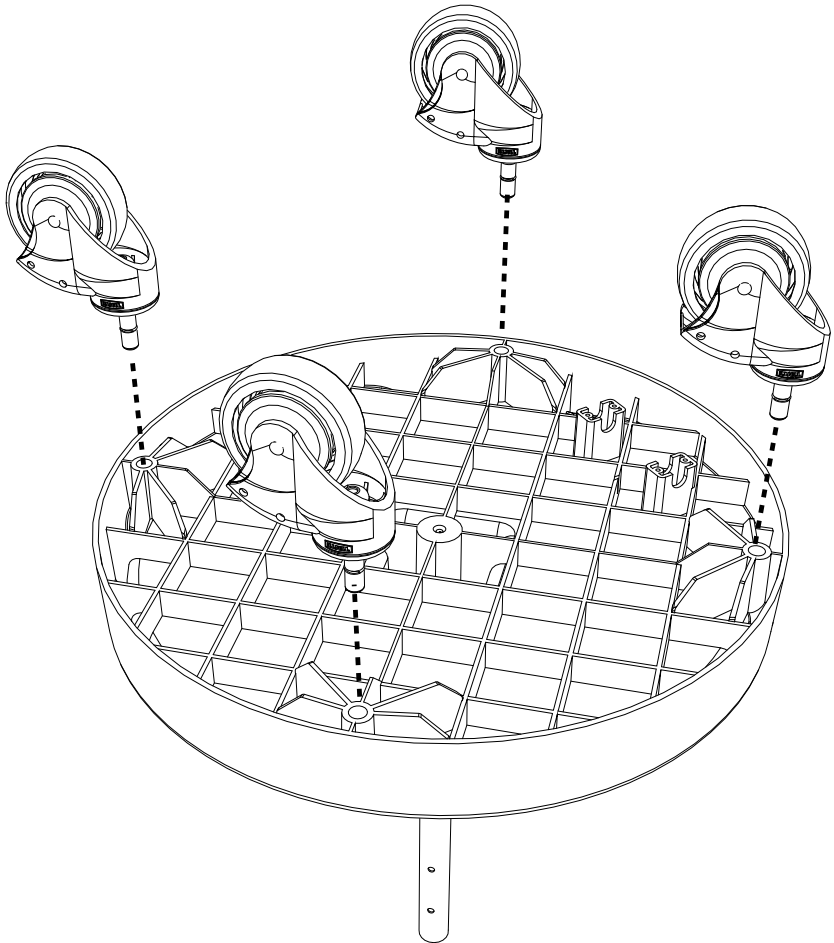
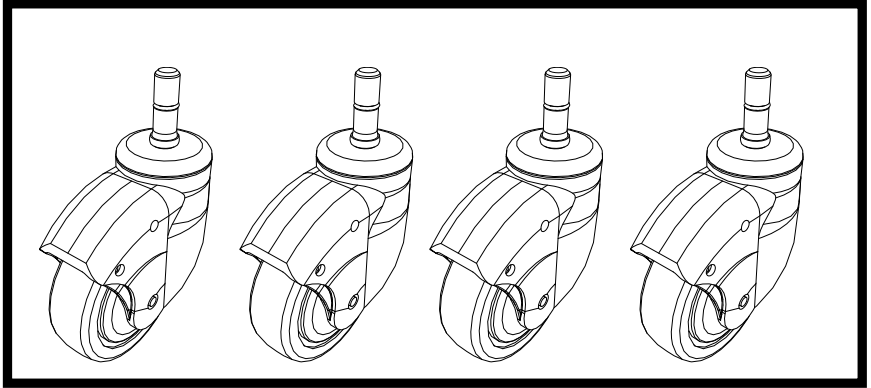


ITEM	DESCRIPTION
1	BASE
2	PEDAL MOULDING (NCR1 ONLY)
2	PEDAL SPRING (NOT SHOWN) NCR1 ONLY
3	HANDLE ASSEMBLY
4	MOP WRINGER (NCR1 ONLY)
5	14 LITRE PAIL (NCR1 ONLY) (BLUE)
6	70L LID (GREEN)
	70L LID (RED)
	70L LID (BLUE)
	70L LID (YELLOW)
7	70L WASTE BIN (GREEN)
	70L WASTE BIN (RED)
	70L WASTE BIN (BLUE)
	70L WASTE BIN (YELLOW)
8	SMALL CADDY (GREEN)
	SMALL CADDY (RED)
	SMALL CADDY (BLUE)
	SMALL CADDY (YELLOW)
9	LARGE CADDY (GREEN)
	LARGE CADDY (RED)
	LARGE CADDY (BLUE)
	LARGE CADDY (YELLOW)

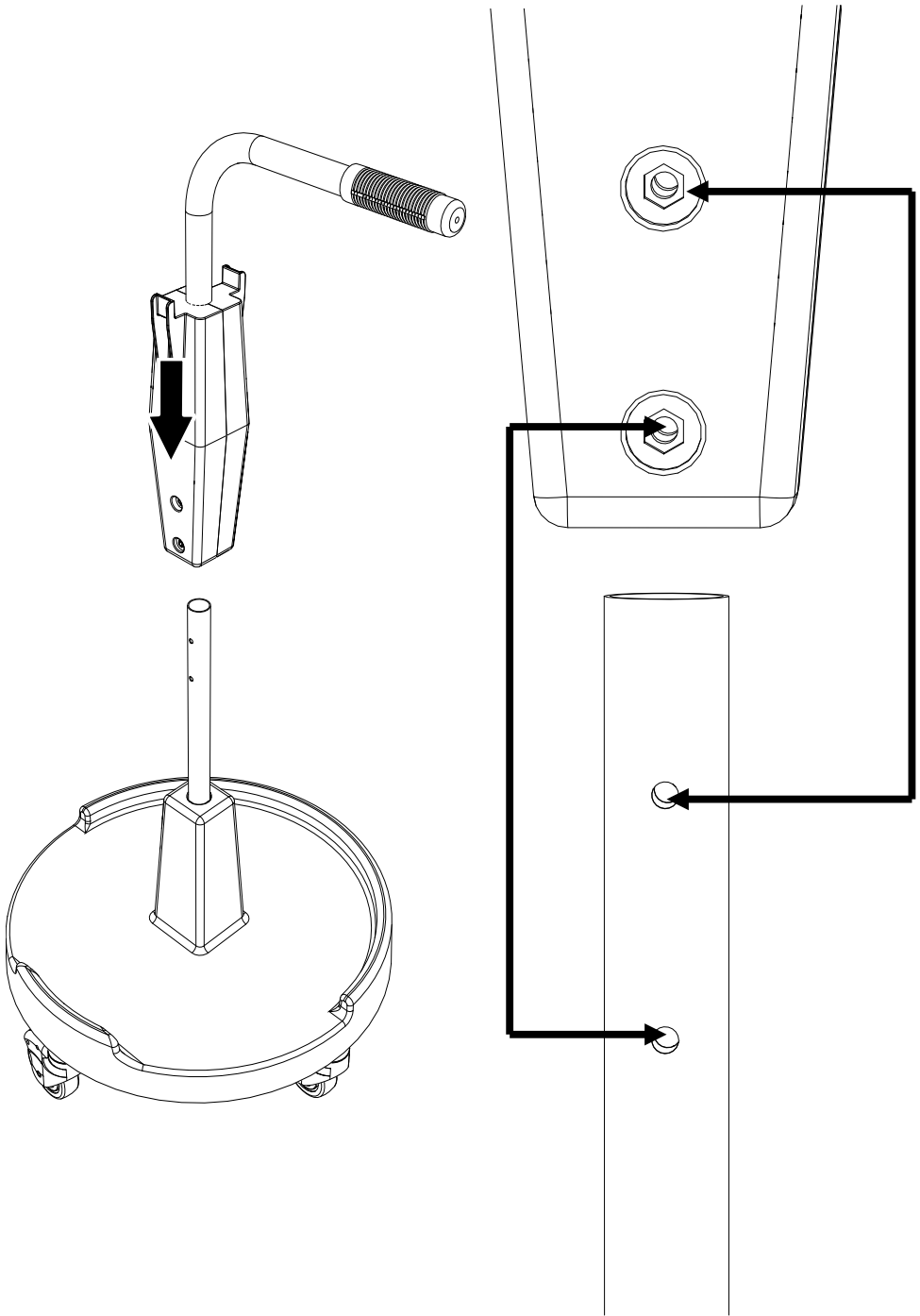
NCR-1/2/3/4



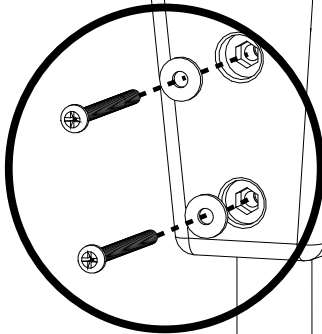
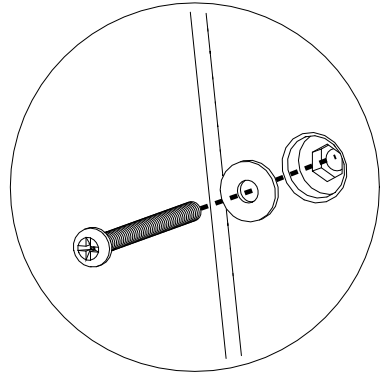
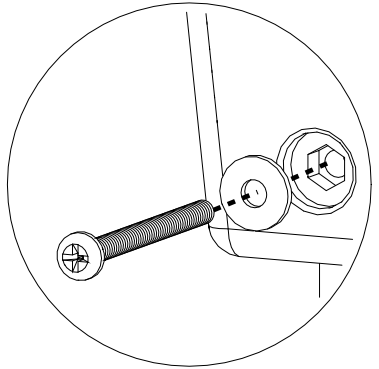
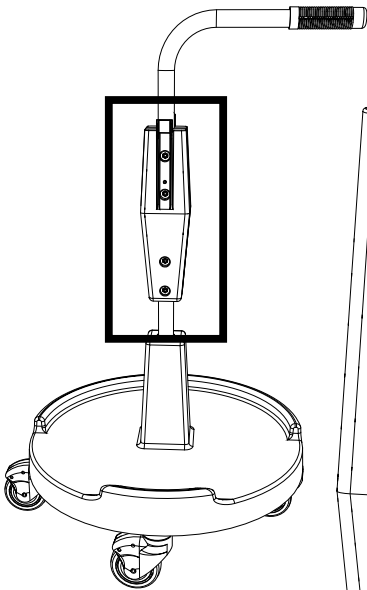
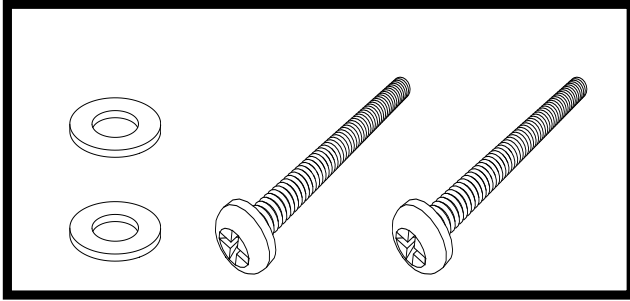
NCR-1/2/3/4



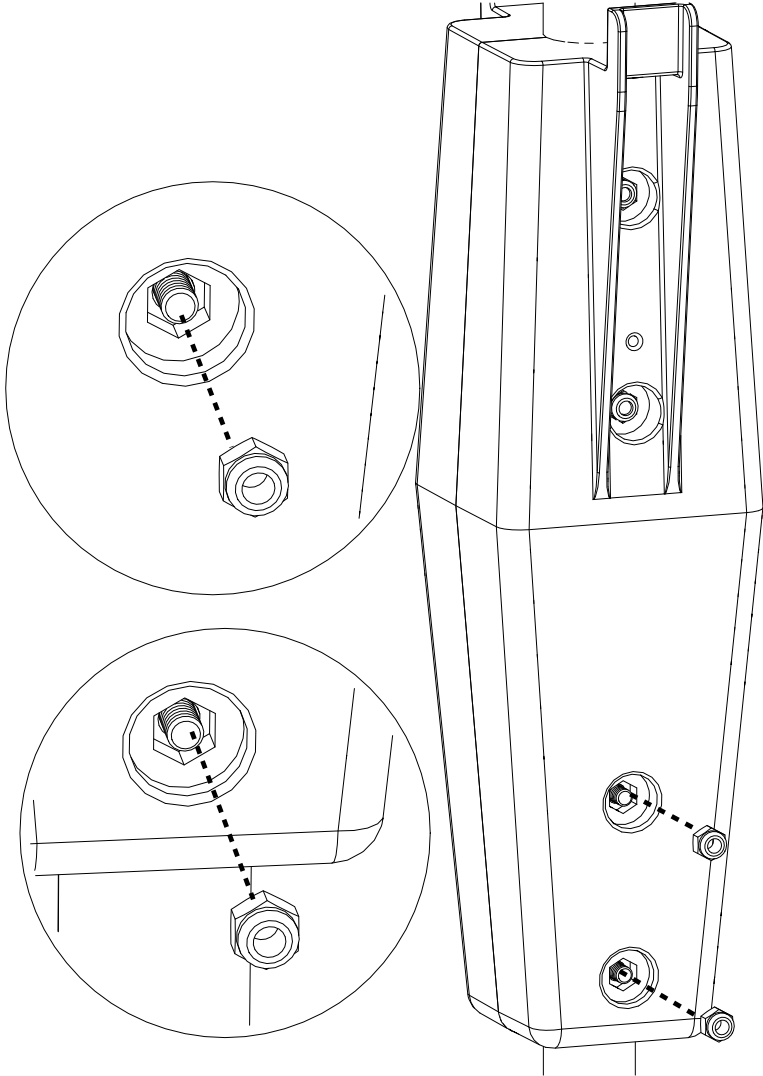
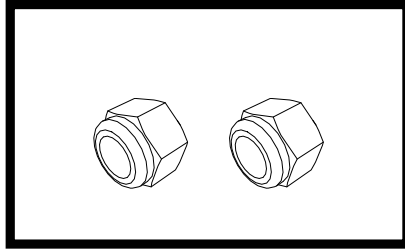
NCR-1/2/3/4



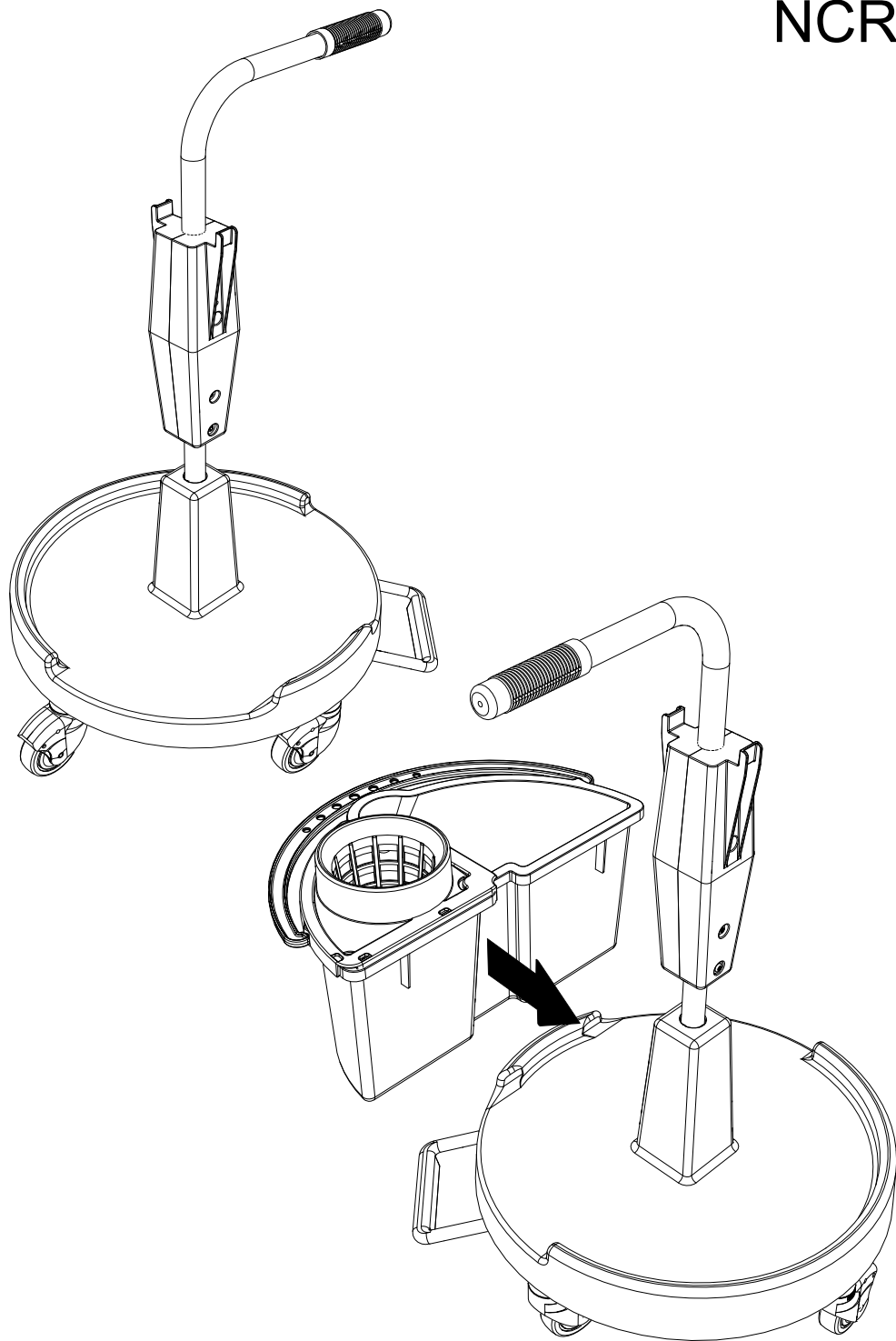
NCR-1/2/3/4

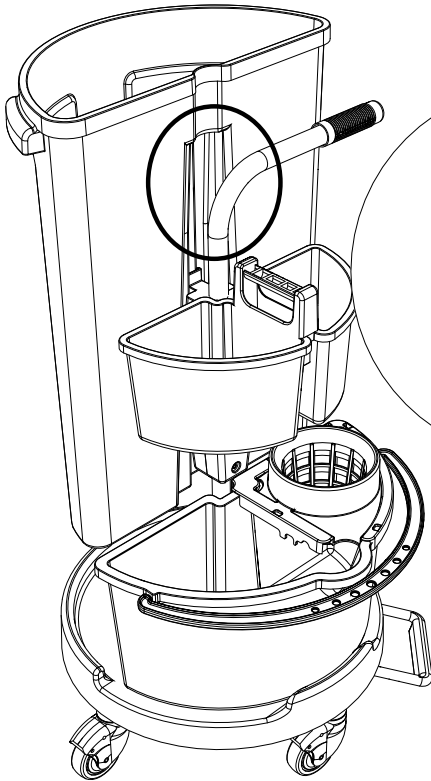
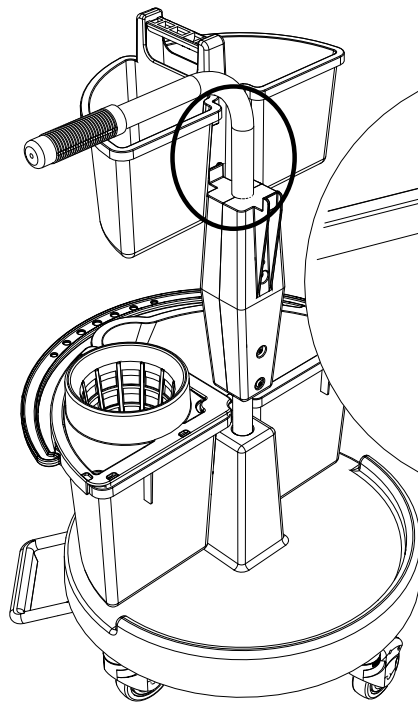


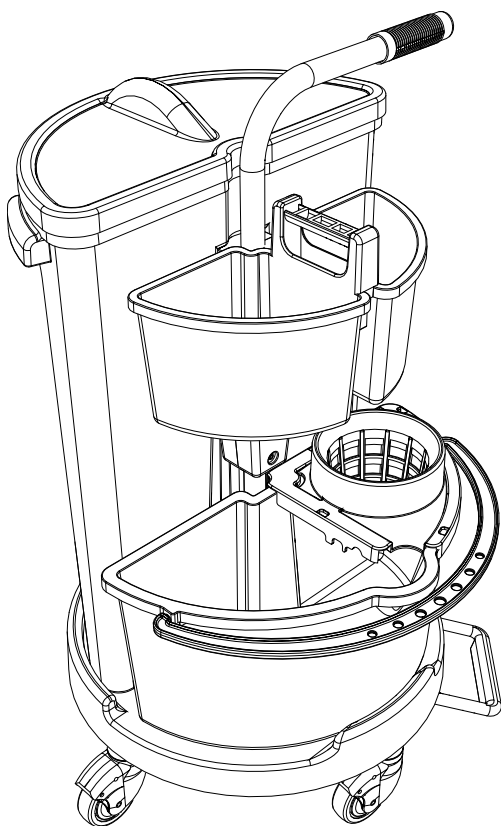
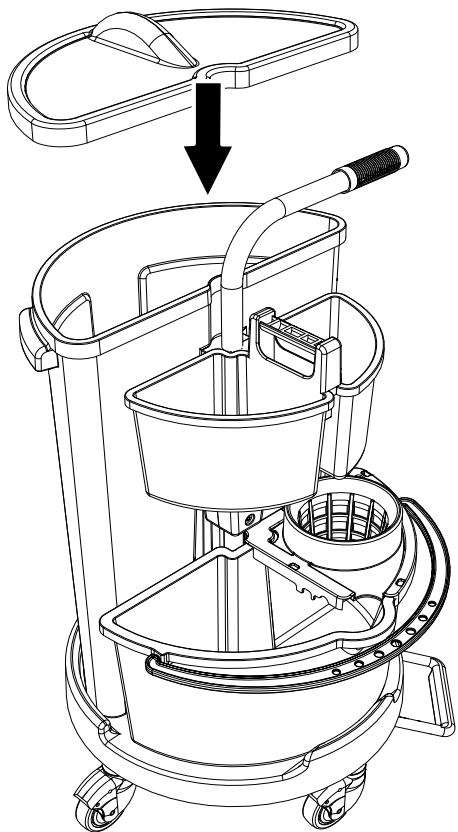
NCR-1/2/3/4



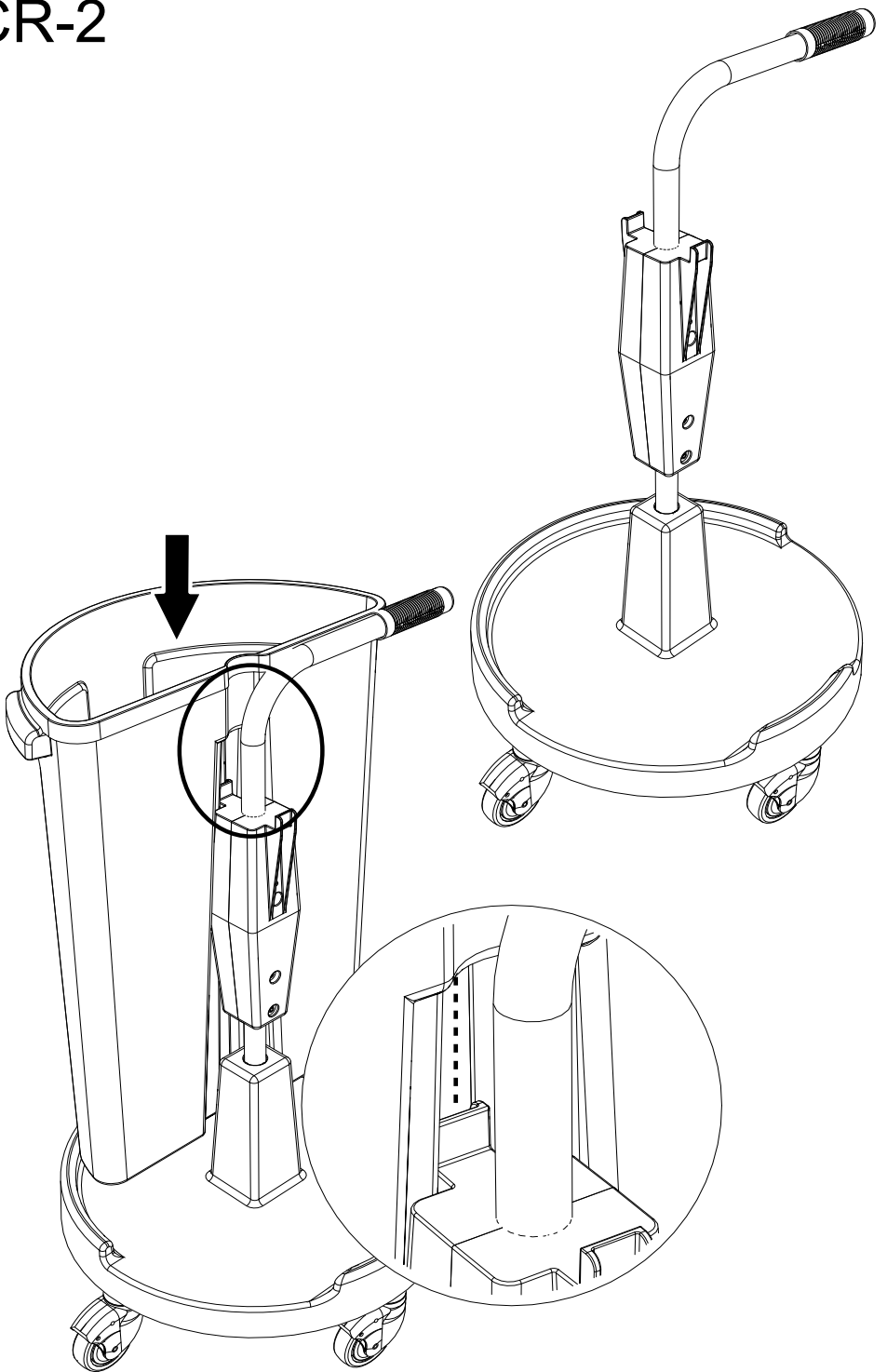
NCR-1

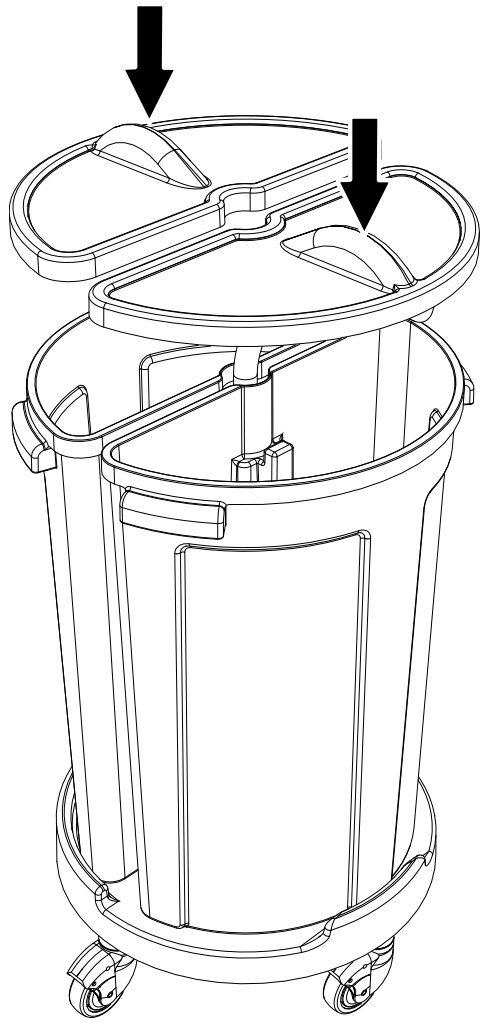
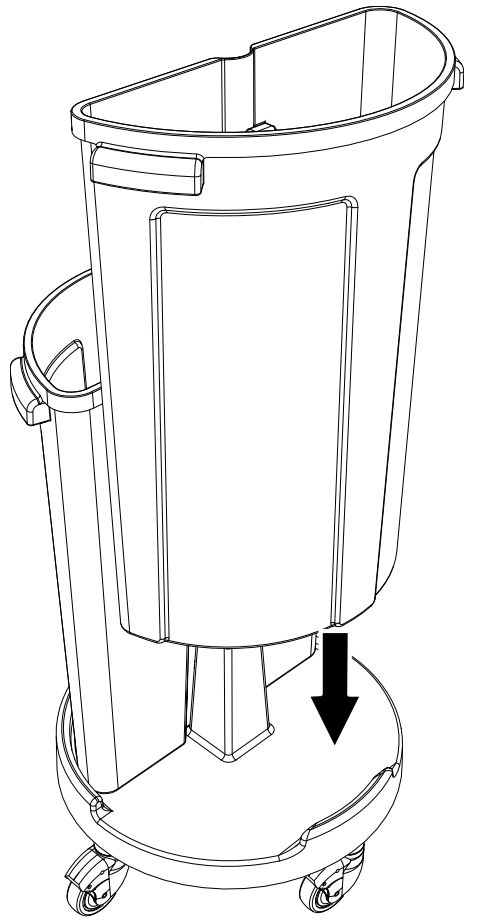


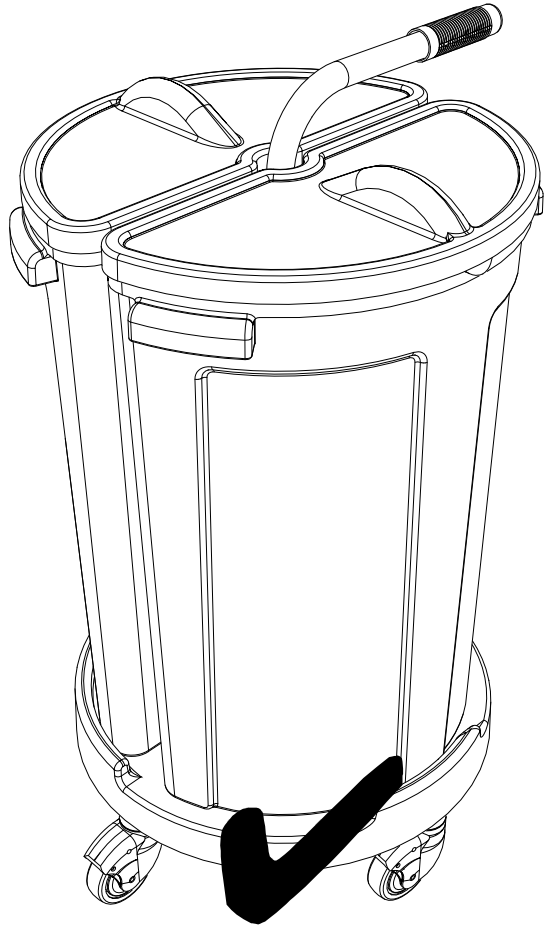




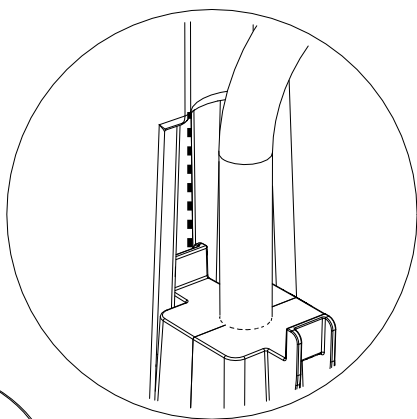
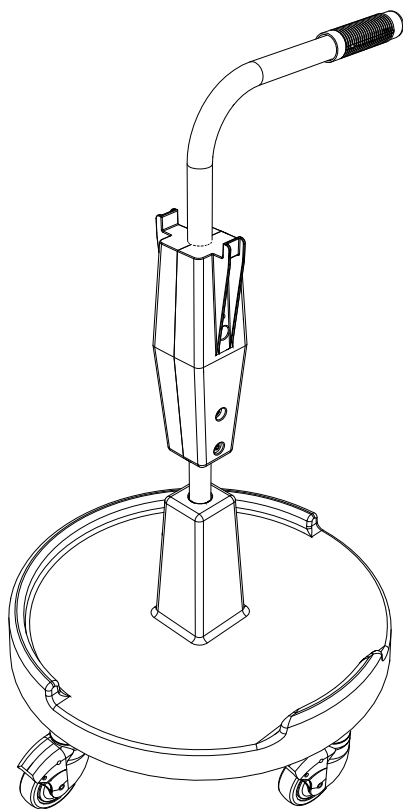
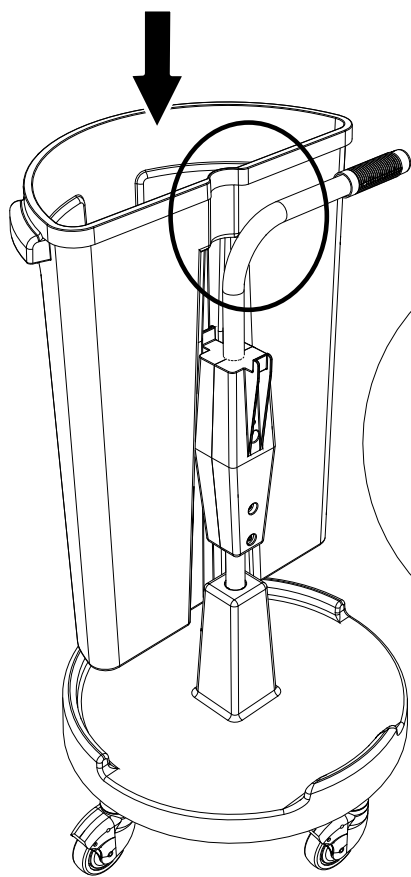
NCR-2

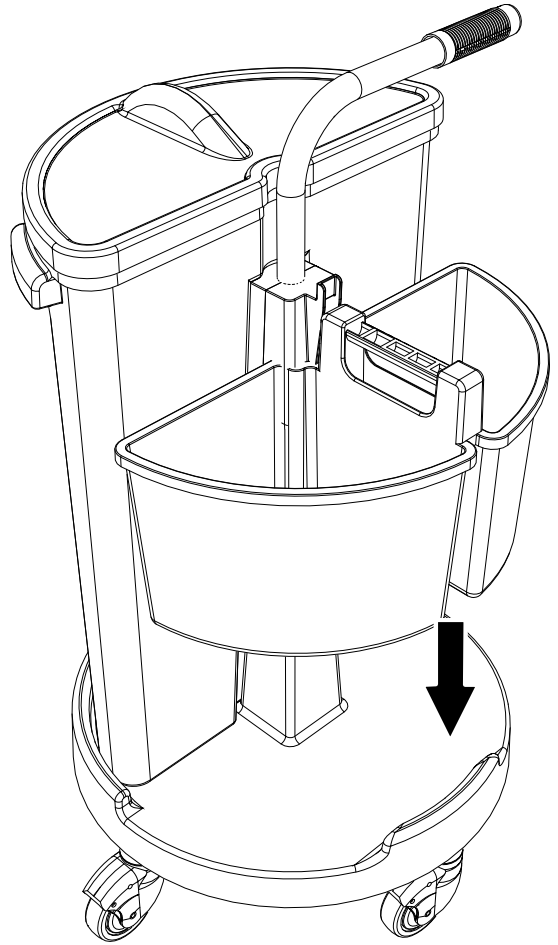
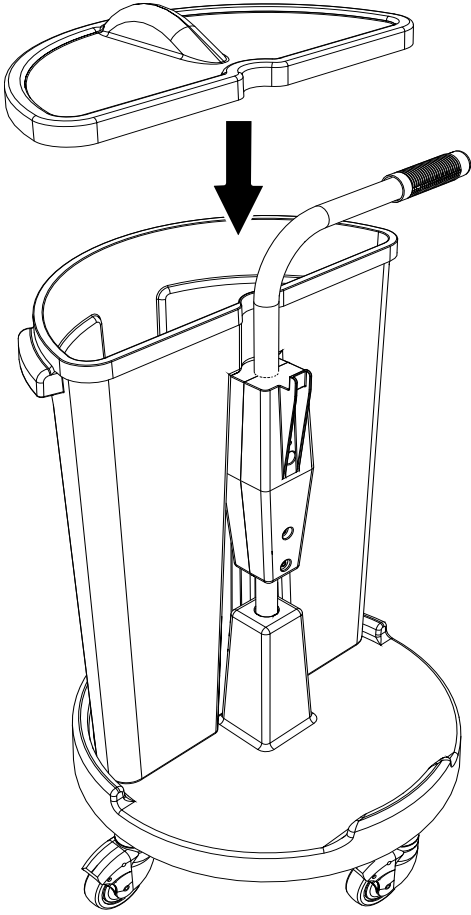


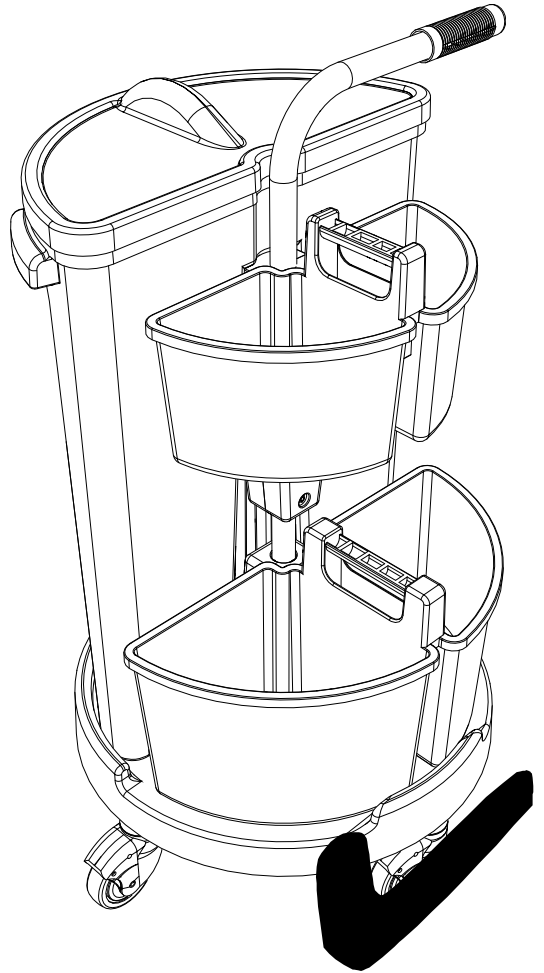
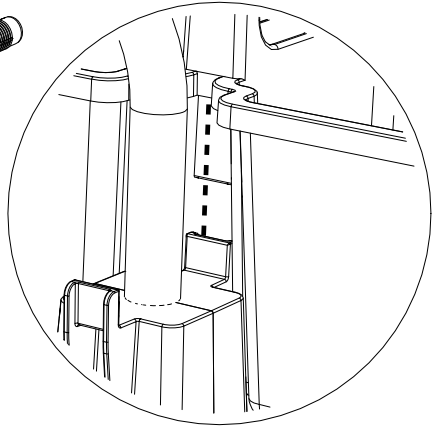
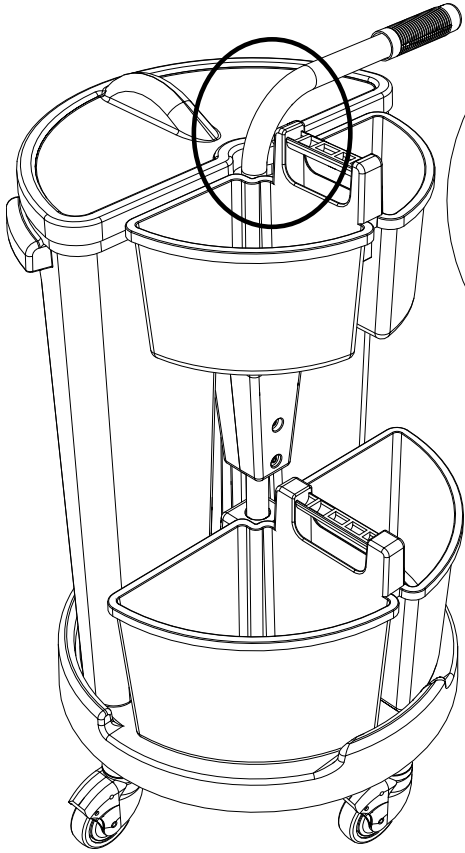




NCR-3







NCR-4

